

INFINITYHEAT

SERIE



Instruction Manual

MIRROR MICROWAVE 20L

MICROWAVE OVEN INSTRUCTION MANUAL ORIMICNG20FSMIR

Read these instructions carefully before using your microwave oven, and keep it carefully.

If you follow the instructions, your oven will provide you with many years of good service.

SAVE THESE INSTRUCTIONS CAREFULLY

PRECAUTIONS TO AVOID POSSIBLE EXPOSURE TO EXCESSIVE MICROWAVE ENERGY

- (a) Do not attempt to operate this oven with the door open since this can result in harmful exposure to microwave energy. It is important not to break or tamper with the safety interlocks.
- (b) Do not place any object between the oven front face and the door or allow soil or cleaner residue to accumulate on sealing surfaces.
- (c) **WARNING:** If the door or door seals are damaged, the oven must not be operated until it has been repaired by a competent person.

ADDENDUM

If the apparatus is not maintained in a good state of cleanliness, its surface could be degraded and affect the lifespan of the apparatus and lead to a dangerous situation.

SPECIFICATIONS

Model:	ORIMICNG20FSMIR
Rated Voltage:	230V~50Hz
Rated Input Power(Microwave):	1050W
Rated Output Power(Microwave):	700W
Oven Capacity:	20L
Turntable Diameter:	Ø 255mm
External Dimensions:	440x358.5x259mm
Net Weight:	Approx. 10.23kg

IMPORTANT SAFETY INSTRUCTIONS

WARNING

To reduce the risk of fire, electric shock, injury to persons or exposure to excessive microwave oven energy when using your appliance, follow basic precautions, including the following:

1. Read and follow the specific: "PRECAUTIONS TO AVOID POSSIBLE EXPOSURE TO EXCESSIVE MICROWAVE ENERGY".
2. This appliance can be used by children aged from 8 years and above and persons with reduced physical, sensory or mental capabilities or lack of experience and knowledge if they have been given supervision or instruction concerning use of the appliance in a safe way and understand the hazards involved. Children shall not play with the appliance. Cleaning and user maintenance shall not be made by children unless they are older than 8 and supervised. Children less than 8 years of age shall be kept away unless continuously supervised.
3. Keep the appliance and its cord out of reach of children less than 8 years.
4. If the supply cord is damaged, it must be replaced by the manufacturer, its service agent or similarly qualified persons in order to avoid a hazard. (For appliance with type Y attachment)
5. **WARNING:** Ensure that the appliance is switched off before replacing the lamp to avoid the possibility of electric shock.
6. **WARNING:** It is hazardous for anyone other than a competent person to carry out any service or repair operation that involves the removal of a cover which gives protection against exposure to microwave energy.

7. **WARNING:** Liquids and other foods must not be heated in sealed containers since they are liable to explode.
8. When heating food in plastic or paper containers, keep an eye on the oven due to the possibility of ignition.
9. Only use utensils that are suitable for use in microwave ovens.
10. If smoke is emitted, switch off or unplug the appliance and keep the door closed in order to stifle any flames.
11. Microwave heating of beverages can result in delayed eruptive boiling, therefore care must be taken when handling the container.
12. The contents of feeding bottles and baby food jars shall be stirred or shaken and the temperature checked before consumption, in order to avoid burns.
13. Eggs in their shell and whole hard-boiled eggs should not be heated in microwave ovens since they may explode, even after microwave heating has ended.
14. The oven should be cleaned regularly and any food deposits removed.
15. Failure to maintain the oven in a clean condition could lead to deterioration of the surface that could adversely affect the life of the appliance and possibly result in a hazardous situation.
16. The appliance must not be installed behind a decorative door in order to avoid overheating. (This is not applicable for appliances with decorative door.)
17. Only use the temperature probe recommended for this oven. (for ovens provided with a facility to use a temperature-sensing probe.)
18. The microwave oven shall not be placed in a cabinet unless it has been tested in a cabinet.
19. The microwave oven must be operated with the decorative door open. (for ovens with a decorative door.)

20. This appliance is intended to be used in household and similar applications such as:
 - staff kitchen areas in shops, offices and other working environments;
 - by clients in hotels, motels and other residential type environments;
 - farm houses;
 - bed and breakfast type environments.
21. The microwave oven is intended for heating food and beverages. Drying of food or clothing and heating of warming pads, slippers, sponges, damp cloth and similar may lead to risk of injury, ignition or fire.
22. Metallic containers for food and beverages are not allowed during microwave cooking.
23. The appliance shall not be cleaned with a steam cleaner.
24. The appliance is intended to be used freestanding.
25. The rear surface of appliances shall be placed against a wall.
26. The appliances are not intended to be operated by means of an external timer or separate remote-control system.
27. The temperature of accessible surfaces may be high when the appliance is operating.
28. **WARNING:** When the appliance is operated in the combination mode, children should only use the oven under adult supervision due to the temperatures generated.

READ CAREFULLY AND KEEP FOR FUTURE REFERENCE

To Reduce the Risk of Injury to Persons Grounding Installation

DANGER

Electric Shock Hazard Touching some of the internal components can cause serious personal injury or death. Do not disassemble this appliance.

WARNING

Electric Shock Hazard Improper use of the grounding can result in electric shock. Do not plug into an outlet until appliance is properly installed and grounded.

This appliance must be grounded. In the event of an electrical short circuit, grounding reduces the risk of electric shock by providing an escape wire for the electric current. This appliance is equipped with a cord having a grounding wire with a grounding plug. The plug must be plugged into an outlet that is properly installed and grounded.

Consult a qualified electrician or serviceman if the grounding instructions are not completely understood or if doubt exists as to whether the appliance is properly grounded. If it is necessary to use an extension cord, use only a 3-wire extension cord.

1. A short power-supply cord is provided to reduce the risks resulting from becoming entangled in or tripping over a longer cord.
2. If a long cord set or extension cord is used:
 - 1) The marked electrical rating of the cord set or extension cord should be at least as great as the electrical rating of the appliance.
 - 2) The extension cord must be a grounding-type 3-wire cord.
 - 3) The long cord should be arranged so that it will not drape over the counter top or tabletop where it can be pulled on by children or tripped over unintentionally.

CLEANING

Be sure to unplug the appliance from the power supply.

1. Clean the cavity of the oven after using with a slightly damp cloth.
2. Clean the accessories in the usual way in soapy water.
3. The door frame and seal and neighbouring parts must be cleaned carefully with a damp cloth when they are dirty.
4. Do not use harsh abrasive cleaners or sharp metal scrapers to clean the oven door glass since they can scratch the surface, which may result in shattering of the glass.
5. Cleaning Tip---For easier cleaning of the cavity walls that the food cooked can touch: Place half a lemon in a bowl, add 300ml (1/2 pint) water and heat on 100% microwave power for 10 minutes. Wipe the oven clean using a soft, dry cloth.

UTENSILS

CAUTION

Personal Injury Hazard

It is hazardous for anyone other than a competent person to carry out any service or repair operation that involves the removal of a cover which gives protection against exposure to microwave energy.

See the instructions on "Materials you can use in microwave oven or to be avoided in microwave oven."

There may be certain non-metallic utensils that are not safe to use for microwaving. If in doubt, you can test the utensil in question following the procedure below.

Utensil Test:

1. Fill a microwave-safe container with 1 cup of cold water (250ml) along with the utensil in question.
2. Cook on maximum power for 1 minute.
3. Carefully feel the utensil. If the empty utensil is warm, do not use it for microwave cooking.
4. Do not exceed 1 minute cooking time.

Materials you can use in microwave oven

Utensils	Remarks
Browning dish	Follow manufacturer's instructions. The bottom of browning dish must be at least 3/16 inch (5mm) above the turntable. Incorrect usage may cause the turntable to break.
Dinnerware	Microwave-safe only. Follow manufacturer's instructions. Do not use cracked or chipped dishes.
Glass jars	Always remove lid. Use only to heat food until just warm. Most glass jars are not heat resistant and may break.
Glassware	Heat-resistant oven glassware only. Make sure there is no metallic trim. Do not use cracked or chipped dishes.
Oven cooking bags	Follow manufacturer's instructions. Do not close with metal tie. Make slits to allow steam to escape.
Paper plates and cups	Use for short-term cooking/warming only. Do not leave oven unattended while cooking.
Paper towels	Use to cover food for reheating and absorbing fat. Use with supervision for a short-term cooking only.
Parchment paper	Use as a cover to prevent splattering or a wrap for steaming.
Plastic	Microwave-safe only. Follow the manufacturer's instructions. Should be labeled "Microwave Safe". Some plastic containers soften, as the food inside gets hot. "Boiling bags" and tightly closed plastic bags should be slit, pierced or vented as directed by package.
Plastic wrap	Microwave-safe only. Use to cover food during cooking to retain moisture. Do not allow plastic wrap to touch food.
Thermometers	Microwave-safe only (meat and candy thermometers).
Wax paper	Use as a cover to prevent splattering and retain moisture.

Materials to be avoided in microwave oven

Utensils	Remarks
Aluminum tray	May cause arcing. Transfer food into microwave-safe dish.
Food carton with metal handle	May cause arcing. Transfer food into microwave-safe dish.
Metal or metaltrimmed utensils	Metal shields the food from microwave energy. Metal trim may cause arcing.
Metal twist ties	May cause arcing and could cause a fire in the oven.
Paper bags	May cause a fire in the oven.
Plastic foam	Plastic foam may melt or contaminate the liquid inside when exposed to high temperature.
Wood	Wood will dry out when used in the microwave oven and may split or crack.

SETTING UP YOUR OVEN

Names of Oven Parts and Accessories

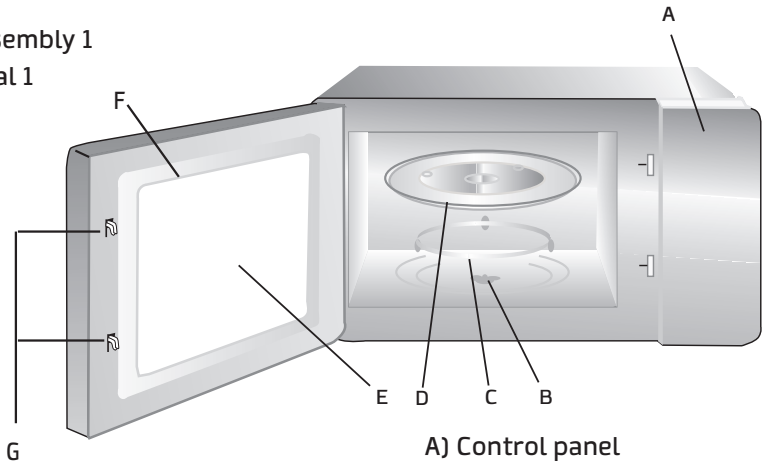
Remove the oven and all materials from the carton and oven cavity.

Your oven comes with the following accessories:

Glass tray 1

Turntable ring assembly 1

Instruction Manual 1



- A) Control panel
- B) Turntable shaft
- C) Turntable ring assembly
- D) Glass tray
- E) Observation window
- F) Door assembly
- G) Safety interlock system

TURNTABLE INSTALLATION

Hub (underside)



- a. Never place the glass tray upside down.
The glass tray should never be restricted.
- b. Both glass tray and turntable ring assembly must always be used during cooking.
- c. All food and containers of food are always placed on the glass tray for cooking.
- d. If glass tray or turntable ring assembly cracks or breaks, contact your nearest authorized service center.

Countertop Installation

Remove all packing material and accessories.

Examine the oven for any damage such as dents or broken door.

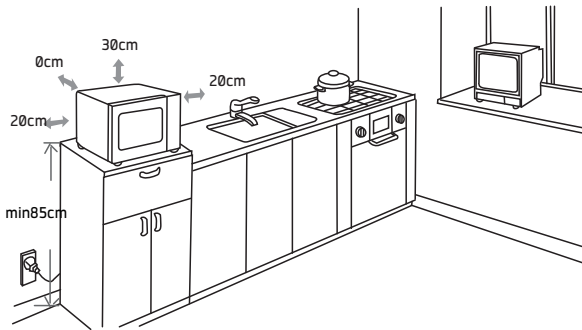
Do not install if oven is damaged.

Cabinet: Remove any protective film found on the microwave oven cabinet surface.

Do not remove the light brown Mica cover that is attached to the oven cavity to protect the magnetron.

INSTALLATION

1. Select a level surface that provide enough open space for the intake and/or outlet vents.



- (1) The minimum installation height is 85cm.
 - (2) The rear surface of appliance shall be placed against a wall.
Leave a minimum clearance of 30cm above the oven, a minimum clearance of 20cm is required between the oven and any adjacent walls.
 - (3) Do not remove the legs from the bottom of the oven.
 - (4) Blocking the intake and/ or outlet openings can damage the oven.
 - (5) Place the oven as far away from radios and TV as possible. Operation of microwave oven may cause interference to your radio or TV reception.
2. Plug your oven into a standard household outlet.

Be sure the voltage and the frequency is the same as the voltage and the frequency on the rating label.

WARNING: Do not install oven over a range cooktop or other heat-producing appliance. If installed near or over a heat source, the oven could be damaged and the warranty would be void.

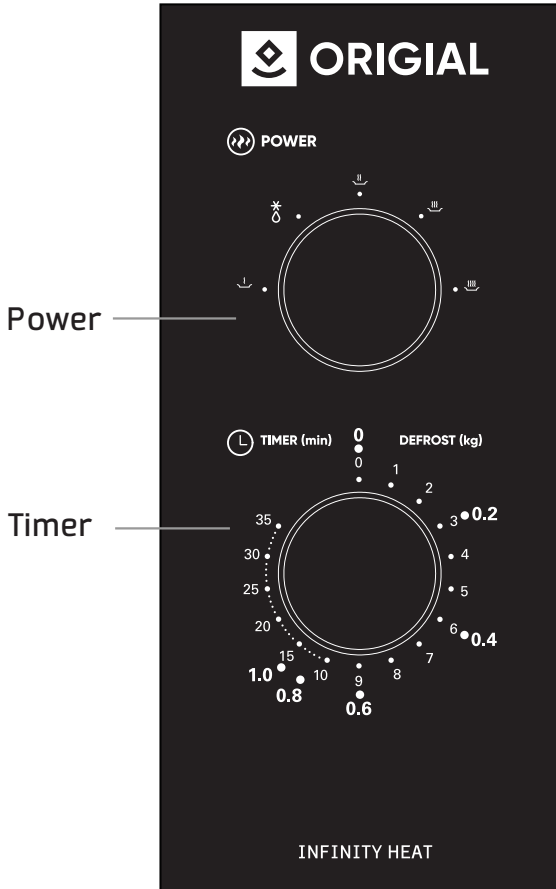
The accessible surface may be hot during operation.








OPERATION

Control Panel and Features

Operation Instructions



1. To set cooking power by turning the power knob to desired level.
2. To set the time of cooking by turning the timer knob to desired time per your food cooking guide.
3. The microwave oven will automatically start cooking after power level and time are set.
4. After the cooking time is up, the unit will "Dong" to stop.
5. If the unit is not in use, always set time to "0".

Function/Power	Output	Application
	17% micro.	Soften ice cream
	33% micro.	Soup stew, soften butter or defrost
	55% micro.	Stew, fish
	77% micro.	Rice, fish, chicken, ground meat
	100% micro.	Reheat, milk, boil water, vegetables, beverage

Notice:

When removing food from the oven, please ensure that the oven power is switched off by turning the clock switch to 0 (zero).

Failure to do so, and operating the microwave oven without food in it, can result in overheating and damage to the magnetron.

TROUBLE SHOOTING

Normal	
Microwave oven interfering TV reception	Radio and TV reception may be interfered when microwave oven operating. It is similar to the interference of small electrical appliances, like mixer, vacuum cleaner, and electric fan. It is normal.
Dim oven light	In low power microwave cooking, oven light may become dim. It is normal.
Steam accumulating on door, hot air out of vents	In cooking, steam may come out of food. Most will get out from vents. But some may accumulate on cool place like oven door. It is normal.
Oven started accidentally with no food in.	It is forbidden to run the unit without any food inside. It is very dangerous.

Trouble	Possible Cause	Remedy
Oven can not be started.	(1) Power cord not plugged in tightly.	Unplug. Then plug again after 10 seconds.
	(2) Fuse blowing or circuit breaker works	Replace fuse or reset circuit breaker (repaired by professional personnel of our company)
	(3) Trouble with outlet.	Test outlet with other electrical appliances.
Oven does not heat.	(4) Door not closed well.	Close door well.



According to Waste of Electrical and Electronic Equipment (WEEE) directive, WEEE should be separately collected and treated. If at any time in future you need to dispose of this product please do NOT dispose of this product with household waste. Please send this product to WEEE collecting points where available.

INFINITYHEAT

SERIE



Manual de instrucciones

Microondas Mirror 20L

MICROONDAS MANUAL DE INSTRUCCIONES ORIMICNG20FSMIR

Antes de utilizar este producto, por favor, lea las instrucciones.

Conserve este manual para futuras dudas que pudiera tener sobre el producto.

**GUARDE ESTAS INSTRUCCIONES
CUIDADOSAMENTE**

PRECAUCIONES PARA EVITAR UNA POSIBLE EXPOSICIÓN A ENERGÍA EXCESIVA DEL MICROONDAS

- (a). No intente operar este microondas con la puerta abierta ya que puede provocar una exposición dañina a la energía del microondas. Es importante no romper o manipular los enclavamientos de seguridad.
- (b). No coloque ningún objeto entre la cara frontal del microondas y la puerta ni permita que tierra o los residuos limpios se acumulen en las superficies de sellado.
- (c). AVISO: Si la puerta, o los sellos de la puerta están dañados, no se debe operar el microondas hasta que haya sido reparado por una persona competente.

ANEXO

Si no se mantiene el aparato en un buen estado de limpieza, se podría degradar su superficie y podría afectar la vida útil del aparato y provocar una situación peligrosa.

CARACTERÍSTICAS

Modelo:	ORIMICNG20FSMIR
Voltaje nominal:	230V~50Hz
Potencia nominal de entrada (microondas):	1050W
Potencia nominal de salida (microondas):	700W
Capacidad del microondas:	20L
Diámetro del plato giratorio:	Ø 255mm
Dimensiones externas:	440x358.5x259mm
Peso neto:	Approx. 10.23kg

INSTRUCCIONES DE SEGURIDAD IMPORTANTES

ADVERTENCIA

Para reducir el riesgo de fuego, descarga eléctrica, lesiones a personas o exposición excesiva a la energía del microondas cuando usa el aparato, siga las precauciones básicas, incluidas las siguientes:

1. Lea y siga la siguiente recomendación: "PRECAUCIONES PARA EVITAR POSIBLE EXPOSICIÓN A ENERGÍA EXCESIVA DEL MICROONDAS".
2. Este aparato puede ser utilizado por niños mayores de 8 años y personas con discapacidades físicas, sensoriales o mentales o con falta de experiencia o conocimiento, si están supervisadas o han recibido instrucciones relacionadas con el uso del aparato de forma segura y son conscientes de los riesgos que implica.
Los niños no deben jugar con el aparato. La limpieza y el mantenimiento no deben dejarse en manos de niños de menos de 8 años sin supervisión. Los niños de menos de 8 años de edad deben estar lejos a no ser que estén bajo supervisión en todo momento.
3. Mantenga el aparato y su cable fuera del alcance de los niños de menos de 8 años.
4. Si el cable de alimentación está dañado, debe ser sustituido por el fabricante, su agente de servicio o una persona cualificada para evitar peligros. (Para aparatos con la conexión de tipo Y).
5. ADVERTENCIA: Asegúrese de que el aparato está desconectado antes de cambiar la luz para evitar la posibilidad de descargas eléctricas.
6. ADVERTENCIA: Es peligroso para cualquier que no sea una persona competente llevar a cabo cualquier operación de servicio o reparación que implique quitar la tapa que proporciona protección de la exposición de la energía del microondas.

7. **ADVERTENCIA:** Los líquidos y los demás alimentos no se deben calentar en envases sellados ya que pueden explotar.
8. Al calentar alimentos en envases de papel o plástico, esté pendiente del microondas ya que se puede quemar.
9. Use solamente utensilios que sean adecuados para usar en microondas.
10. Si sale humo, apague y desenchufe el aparato y mantenga la puerta cerrada para sofocar cualquier llama.
11. El calentamiento de bebidas en el microondas puede resultar en ebullición eruptiva retardada, por lo que se debe poner mucha atención a la hora de manejar el recipiente.
12. Se deben mezclar o agitar los contenidos de los biberones y botes de alimentos de bebé y se debe comprobar la temperatura antes de consumirse para evitar quemaduras.
13. No se deben calentar en el microondas huevos con cáscara y huevos duros enteros ya que pueden explotar, incluso una vez que haya terminado el calentamiento del microondas.
14. Se debe limpiar el microondas regularmente y se debe quitar cualquier depósito de alimentos.
15. El incumplimiento a la hora de mantener el microondas limpio podría llevar al deterioro de la superficie que podría afectar la vida del aparato y posiblemente resultar en una situación peligrosa.
16. No se debe instalar el aparato detrás de una puerta decorativa para evitar que se sobrecaliente. (Esto no es aplicable para aparatos con puertas decorativas).
17. Use solamente la sonda de temperatura que se recomienda para este microondas. (Para microondas que se proporcionan con esta facilidad usar una sonda de detección de temperatura).
18. No se debe colocar el microondas en un armario a no ser que haya sido probado en un armario.

19. El microondas debe ser operado con una la puerta decorativa abierta. (Para microondas con una puerta decorativa).
20. Este aparato está destinado para ser usado en el hogar y aplicaciones similares como:
 - áreas de cocina en tiendas, oficinas y espacios de trabajo;
 - por clientes en hoteles y moteles y otro tipo de entornos residenciales;
 - en casas rurales;
 - entornos tipo pensiones.
21. El uso previsto del microondas es calentar comida y bebidas. Secar comida o ropa y calentar almohadillas de calor, zapatillas, esponjas, paños húmedos o productos similares puede llevar al riesgo de lesión o fuego.
22. Los contenedores metálicos para los alimentos y las bebidas no se permiten durante la cocción del microondas.
23. El aparato no debe usarse independientemente.
24. La superficie posterior de los aparatos no se debe colocar contra una pared.
25. No se prevé que el aparato sea operado mediante un temporizador externo o un sistema de control remoto separado.
26. La temperatura de las superficies a las que se puede acceder puede ser alta cuando el aparato está en funcionamiento.
27. **ADVERTENCIA:** Cuando el aparato se ejecuta en modo combinado, los niños solamente deberían usar el microondas bajo la supervisión de un adulto debido a las temperaturas generadas.

LÉALO DETENIDAMENTE Y GUÁRDELO PARA CONSULTARLO MÁS ADELANTE

PARA REDUCIR EL RIESGO DE LESIONES EN PERSONAS

PELIGRO

Peligro de descarga eléctrica

Tocar algunos de los componentes internos puede provocar lesiones personales serias o incluso la muerte.

No desmonte este aparato.

ADVERTENCIA

Peligro de descarga eléctrica

El uso inadecuado en tierra puede provocar una descarga eléctrica.

No lo conecte en la toma de corriente hasta que el aparato esté debidamente instalado y conectado a tierra.

Se debe conectar este aparato eléctricamente a tierra. En caso de que se produzca un cortocircuito eléctrico, la conexión a tierra reduce el riesgo de descargas eléctricas al proporcionar un cable de escape para la corriente eléctrica.

Este aparato está equipado por un cable que tiene un cable a tierra con una conexión a tierra. Se debe conectar el conector a una toma de corriente que esté debidamente instalada a tierra.

Consulte un electricista cualificado o un operario si no se entienden totalmente las instrucciones de conexiones a tierra o si hay alguna duda sobre si el aparato está debidamente conectado a tierra. No es necesario usar un cable de extensión, use solamente un cable de conexión de 3 conectores.

- (a). Se provee un cable de alimentación corto para reducir el riesgo de tropezar o enredarse con un cable largo.
- (b). Si se usa un cable largo o un cable de extensión:
 - (1). El valor eléctrico marcado en el conjunto del cable o el cable de extensión debe ser por lo menos igual al valor eléctrico del aparato.
 - (2). El cable de extensión debe ser un cable de conexión a tierra de 3 conectores.
 - (3). El cable largo debe estar dispuesto para que no tape el mostrador o la encimera donde los niños puedan tirar de él o tropezarse sin querer.

LIMPIEZA

Asegúrese de desenchufar el aparato de la fuente de alimentación.

1. Limpie la cavidad del microondas después de usarlo con un paño ligeramente húmedo.
2. Limpie los accesorios del modo normal con agua jabonosa.
3. Se deben limpiar detenidamente el bastidor de la puerta y la zona de sellado, así como las piezas de alrededor detenidamente con un paño húmedo cuando haya suciedad.
4. No use limpiadores abra sivos o rascadores de metal abrasivos para limpiar la puerta de vidrio del microondas ya que puede rallar la superficie y podría provocar que el vidrio se rompiera.
5. Consejo de limpieza: para una limpieza más fácil de las paredes de la cavidad que pueden estar en contacto con la comida:
Coloque medio limón en un bol, añada 300 ml de agua y caliente con la potencia del microondas al 100 % durante 10 minutos. Limpie el microondas usando un paño suave y seco.

UTENSILIOS

Peligro de lesiones personales

PRECAUCIÓN

Peligro de lesiones personales Es peligroso para cualquier que no sea una persona competente llevar a cabo cualquier operación de servicio o reparación que implique quitar la tapa que proporciona protección de la exposición de la energía del microondas.

Vea las instrucciones en "Materiales que puede usar en microondas o que se deben evitar en microondas."

Puede haber ciertos utensilios no metálicos que no sean seguros para usarlos con las ondas del microondas. En caso de duda, puede probar el utensilio en cuestión siguiendo el procedimiento que se describe a continuación.

Prueba de utensilios:

1. Llene el contenedor de seguridad del microondas con 1 taza de agua fría (250 ml) junto con el utensilio en cuestión.
2. Cocine a máxima potencia durante 1 minuto.
3. Toque el utensilio con cuidado. Si el utensilio vacío está caliente, no lo use para cocinar en el microondas.
4. No exceda el tiempo de cocción de 1 minuto.

MATERIALES QUE PUEDE USAR EN EL MICROONDAS

UTENSILIOS	OBSERVACIONES
Plato para dorar	Siga las instrucciones del fabricante. La parte inferior del plato para dorar debe tener 5 mm como mínimo encima del plato giratorio. El uso incorrecto puede provocar que el plato giratorio se rompa.
Vajilla	Para usar en el microondas solamente. Siga las instrucciones del fabricante. No use platos agrietados o rotos.
Jarras de vidrio	Quite siempre la tapa. Úselo solamente para calentar la comida hasta que esté tibia. La mayoría de jarras de vidrio no son resistentes al calor y se pueden romper.
Cristalería	Cristalería resistente al calor para el microondas solamente. Asegúrese de que no haya partes metálicas. No use platos agrietados o rotos.
Bolsas de cocción en el microondas	Siga las instrucciones del fabricante. No lo cierre con lazos metálicos. Haga cortes para permitir que salga el vapor.
Platos y tazas de papel	Úselos para calentar/cocinar durante poco tiempo solamente. No deje el microondas sin atención mientras cocina.
Papel vegetal	Úselo para cubrir alimentos para recalentar y para absorber la grasa. Úselo con supervisión para cocinar poco tiempo solamente.
Papel de microondas	Úselo como tapa para prevenir salpicaduras o una envoltura para el vapor.
Plástico	Para usar en el microondas solamente. Siga las instrucciones del fabricante. Debe tener la etiqueta de "Apto para usar en el microondas". Algunos recipientes de plástico se ablandan cuando la comida dentro de ellos se calienta. "Bolsas para hervir" y bolsas de plástico fuertemente cerradas deben ser cortadas, perforadas o ventiladas como un paquete directo.
Envoltorio de plástico	Para usar en el microondas solamente. Use la tapa de comida durante la cocción para mantener la humedad. No permite que el envoltorio de plástico toque la comida.
Termómetros	Apto para usar en el microondas solamente (termómetros de carne y dulces)
Papel encerado	Úselo como tapa para prevenir salpicaduras y mantener la humedad.

Materials to be avoided in microwave oven

UTENSILIOS	OBSERVACIONES
Bandeja de aluminio	Puede provocar que se estropee. Transfiera los alimentos a un plato apto para usar en el microondas.
Cartón para alimentos con asa de metal.	Puede provocar que se estropee. Transfiera los alimentos a un plato apto para usar en el microondas.
Metal o utensilios con partes de metal	El metal protege los alimentos de la energía del microondas. Las partes de metal pueden provocar que se estropee.
Ataduras de alambre de metal	Puede provocar que se estropee y pueden provocar fuego en el microondas.
Bolsas de papel	Puede provocar fuego en el microondas.
Espuma de plástico	La espuma de plástico se puede fundir o puede contaminar el líquido dentro cuando se expone a altas temperaturas.
Madera	La madera se secará si se usa en el microondas y puede partirse o agrietarse.

CONFIGURAR SU MICROONDAS

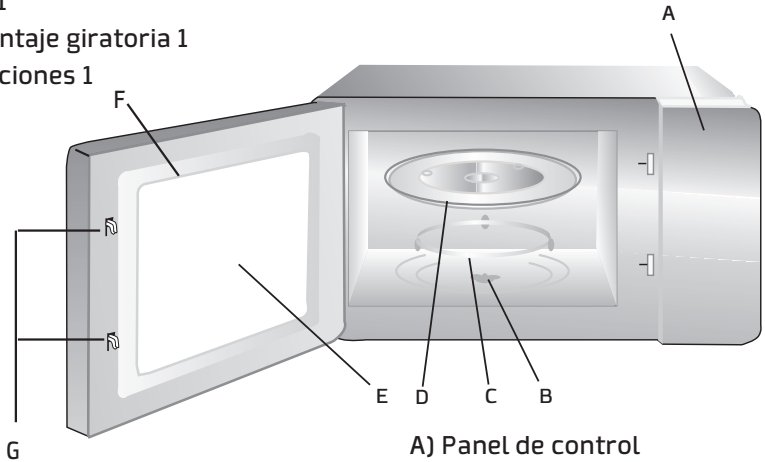
NOMBRES DE LAS PIEZAS DEL MICROONDAS Y LOS ACCESORIOS

Quite el microondas y todos los materiales de los cartones y la cavidad del .
Su microondas viene con los siguientes accesorios:

bandeja de vidrio 1

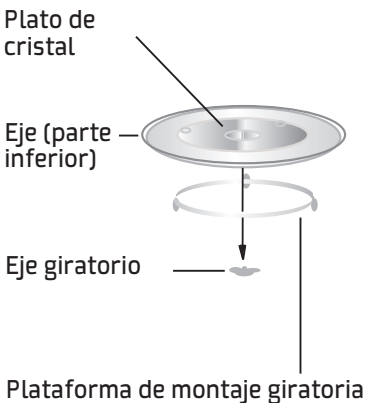
plataforma de montaje giratoria 1

Manual de instrucciones 1



- A) Panel de control
- B) Eje giratorio
- C) Plataforma de montaje giratoria
- D) Plato de cristal
- E) Ventana de observación
- F) Conjunto de la puerta
- G) Sistema de bloqueo de seguridad

INSTALACIÓN GIRATORIA



- a. Nunca coloque la bandeja de vidrio al revés. La bandeja de vidrio nunca debería ser restringida.
- b. Se deben usar tanto la plataforma de montaje giratoria como la bandeja de vidrio durante la cocción.
- c. Todos los alimentos y recipientes de alimentos deben colocarse siempre en la plato de cristal durante la cocción.
- d. Si la bandeja de vidrio o la plataforma de montaje giratoria tiene grietas o se rompa, póngase en contacto con su servicio autorizado más cercano.

INSTALACIÓN EN LA ENCIMERA

Quite todos los materiales de embalaje y los accesorios.

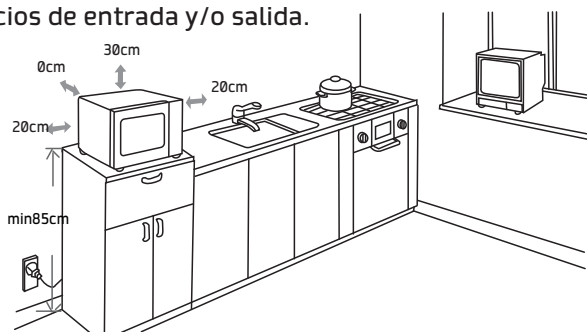
Examine el microondas para ver si hay algún desperfecto como una puerta rota o abolladuras. No lo instale si el microondas está dañado.

Armario: Quite cualquier papel de film protector que encuentre en la superficie del armario del microondas.

No quite la cubierta de mica de color marrón claro que se encuentra en la cavidad del microondas para proteger el magnetrón.

INSTALACIÓN

1. Seleccione una superficie plana que proporcione el suficiente espacio abierto para los orificios de entrada y/o salida.



(1). La altura de instalación mínima es de 85 cm.

(2). La superficie posterior de los aparatos no se debe colocar contra una pared.

Deje un espacio mínimo de 30 cm por encima del microondas, y un espacio mínimo de 20 cm es necesaria entre el microondas y cualquier pared adyacente.

(3). No quite las patas de la parte inferior del microondas.

(4). Bloquear las aberturas de entrada y/o salida pueden dañar el microondas.

(5). Coloque el microondas tan alejado de las radios y el televisor como sea posible.

La operación del microondas puede provocar interferencias con su recepción de radio o televisión.

2. Conecte su microondas en una toma de corriente estándar doméstica.

Asegúrese de que el voltaje y la frecuencia sean los mismos que el voltaje y la frecuencia del nivel de clasificación.

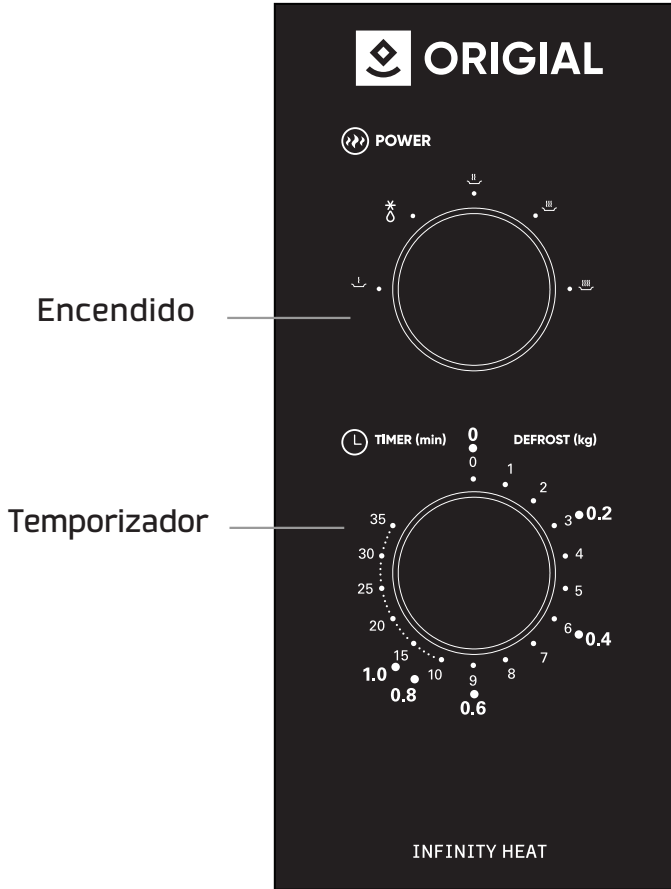
ADVERTENCIA: No instale el microondas encima de la placa de cocción u otros aparatos que produzcan calor. Si se instala cerca o encima de una fuente de calor, se podría dañar el microondas y la garantía podría quedar eliminada.

La superficie accesible puede ser caliente durante su funcionamiento.








OPERACIÓN

PANEL DE CONTROL Y CARACTERÍSTICAS



1. Puede configurar la potencia de cocción al girar la Mando giratorio de encendido al nivel deseado.
2. Para configurar el tiempo de cocción gire la Mando del temporizador según el tiempo deseado teniendo en cuenta la guía de cocción de sus alimentos.
3. El microondas microondas empezará a cocinar automáticamente una vez que se configuren el nivel de potencia y la hora.
4. Después de configurarse el tiempo de cocción, la unidad hará "Dong" para parar.
5. Si no se usa la unidad, configure siempre el tiempo a "0".

Función/potencia	Salida	Aplicación
	17% micro.	Helado blando
	33% micro.	Sopa, guiso, mantequilla suave o descongelar
	55% micro.	Guiso, pescado
	77% micro.	Arroz, pescado, pollo, carne picada
	100% micro.	Volver a calentar, leche, agua hirviendo, vegetales, bebidas

AVISO:

Al quitar alimentos del microondas, asegúrese que el microondas esté apagado al girar el botón del temporizador a 0 (cero).

De lo contrario, operar el microondas sin alimentos en él, puede provocar sobrecalentamiento y daños al magnetrón.

SOLUCIÓN DE PROBLEMAS

Normal	
Microondas que interfiere con la recepción de televisión.	La recepción de radio y televisión puede verse interferida cuando el microondas se está usando. Es similar a la interferencia de un pequeño aparato eléctrico, como una batidora, una aspiradora o un ventilador eléctrico. Es normal.
Luz del microondas tenue.	Cuando la cocción del microondas está en potencia baja, la luz puede volverse tenue. Es normal.
La acumulación de vapor en la puerta, el aire caliente de las ventilaciones.	En la cocción, el vapor puede salir de los alimentos. La mayoría saldrá de las ventilaciones. Pero se puede acumular en lugares fríos como la puerta del microondas. Es normal.
El microondas se ha iniciado accidentalmente sin alimentos en su interior.	Está prohibido iniciar la unidad sin que haya alimentos dentro. Es muy peligroso.

Problema	Posible causa	Solución
No se puede encender el microondas.	(1) El cable de alimentación no está conectado correctamente.	Desconéctelo. Luego vuelva a conectarlo cuando hayan pasado 10 segundos.
	(2) Fusión del fusible o funcionamiento del interruptor.	Reemplace el fusible o reinicie el interruptor (reparado por un profesional de nuestra empresa)
	(3) Problema con la toma de corriente.	Pruebe la toma de corriente con otros aparatos eléctricos.
El microondas no calienta.	(4) La puerta no está bien cerrada.	Cierre bien la puerta.



Según la Directiva sobre residuos de aparatos eléctricos y electrónicos (WEEE, por sus siglas en inglés), los residuos de aparatos eléctricos y electrónicos se deben recoger y tratar por separado. Si en algún momento del futuro necesita desechar este producto, NO lo haga como si fuera un residuo doméstico. Envíe este producto a los puntos de recolección de residuos de aparatos eléctricos y electrónicos donde estén disponibles.