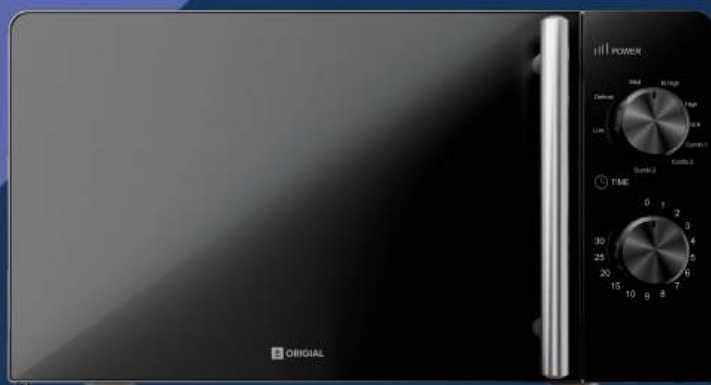




ORIGINAL

INFINITYHEAT MIRROR GRILL

ORIMICG20FSMIRN



USER MANUAL

MANUAL DE USO · MANUALE D'USO · MANUEL DE UTILISATEUR
MANUAL DE INSTRUÇÕES · BENÜTZERHANDBUCH

INFINITYHEAT MIRROR GRILL

ORIMICG20FSMIRN



PLEASE READ THESE INSTRUCTIONS CAREFULLY BEFORE INSTALLING AND OPERATING THE OVEN.



PRECAUTIONS TO AVOID POSSIBLE EXPOSURE TO

EXCESSIVE MICROWAVE ENERGY

1. Do not attempt to operate this oven with the door open since open-door operation can result in harmful exposure to microwave energy. It is important not to defeat or tamper with the safety interlocks.
2. Do not place any object between the oven front face and the door or allow soil or cleaner residue to accumulate on sealing surfaces.
3. Do not operate the oven if it is damaged. It is very important that the oven door close properly and that there is no damage to the
 - Door (including any bent),
 - Hinges and latches (broken or loosened),
 - Door seals and sealing surfaces.
4. The oven should not be adjusted or repaired by anyone except qualified service personnel.

IMPORTANT SAFETY INSTRUCTION

- When using electrical appliance basic safety precautions should be followed, including the following:
 - **WARNING!** - To reduce the risk of burns, electric shock, fire, injury to persons or exposure to excessive microwave energy:
 - Use this appliance only for its intended use as described in the manual. Do not use corrosive chemicals or vapors in this appliance. This type of oven is specifically designed to heat, cook or dry food. It is not designed for industrial or laboratory use.
 - Do not operate the oven when empty.
 - Do not operate this appliance if it has a damaged cord or plug, if it is not working properly, or if it has been damaged or dropped. If the supply cord is damaged, it must be replaced by the manufacturer or its service agent or a similarly qualified person in order to avoid a hazard.
 - **WARNING!** - Only allow children to use the oven without supervision when adequate instructions have been given so that the child is able to use the oven in a safe way and understands the hazards of improper use.
- To reduce the risk of fire in the oven cavity:
- When heating food in plastic or paper container, keep an eye on the oven due to the

possibility of ignition.

- Remove wire twist-ties from paper or plastic bags before placing bag in oven.
- If smoke is observed, switch off or unplug the appliance and keep the door closed in order to stifle any flames.
- Do not use the cavity for storage purposes. Do not leave paper products, cooking utensils, or food in the cavity when not in use.
- The microwave oven is intended for heating food and beverages. Drying of food or clothing and heating of warming pads, slippers, sponges, damp cloth and similar may lead to risk of injury, ignition or fire.
- **WARNING!** -Liquid or other food must not be heated in sealed containers since they are liable to explode.
- Microwave heating of beverages can result in delayed eruptive boiling, therefore care has to be taken when handle the container.
- Do not fry food in the oven. Hot oil can damage oven parts and utensils and even result in skin burns.
- Eggs in their shell and whole hard-boiled eggs should not be heated in microwave ovens since they may explode even after microwave heating has ended.
- Pierce foods with heavy skins such as potatoes, whole squashes, apples and chest-nuts before cooking.
- The contents of feeding bottles and baby food jars should be stirred or shaken and the temperature should be checked before serving in order to avoid burns.
- Cooking utensils may become hot because of heat transferred from the heated food. Potholders may be needed to handle the utensil.
- Utensils should be checked to ensure that they are suitable for use in microwave oven.
- **WARNING!** -It is hazardous for anyone other than a trained person to carry out any service or repair operation which involves the removal of any cover which gives protection against exposure to microwave energy.
- This product is a Group 2 Class B ISM equipment. The definition of Group 2 which contains all ISM (Industrial, Scientific and Medical) equipment in which radio-frequency energy is intentionally generated and/or used in the form of electromagnetic radiation for the treatment of material, and spark erosion equipment. For Class B equipment is equipment suitable for use in domestic establishments and in establishments directly connected to a low voltage power supply network which supplies buildings used for domestic purpose.
- This appliance is not intended for use by persons (including children) with reduced physical, sensory or mental capabilities, or lack of experience and knowledge, unless they have been given supervision or instruction concerning use of the appliance by a person responsible for their safety.
- Children should be supervised to ensure that they do not play with the appliance.



- The microwave oven is only used in freestanding.
- **WARNING!** -Do not install oven over a range cook top or other heat-producing appliance. If installed could be damaged and the warranty would be void.
- The microwave oven must not be placed in the cabinet.
- **WARNING!--**The appliance and its accessible parts become hot during use.
- **WARNING!** -Accessible parts may become hot during use. Young children should be kept away.
- During use the appliances becomes hot. Care should be taken to avoid touching heating elements inside the oven, for cooking ranged and ovens.
- The temperature of accessible surfaces may be high when the appliance is operating.
- The appliance shall be placed against a wall.
- Appliance is not to be used by children or persons with reduced physical, sensory or mental capabilities, or lack of experience and knowledge, unless they have been given supervision or instruction.
- **WARNING!** -If the door or door seals are damaged, the oven must not be operated until it has been repaired by a competent person.
- The appliances are not intended to be operated by means of an external timer or separate remote-control system.
- The microwave oven is for household use only and not for commercial use.
- Never remove the distance holder in the back or on the sides, as it ensures a minimum distance from the wall for air circulation.
- Please secure the turntable before you move the appliance to avoid damages.
- **WARNING!** -It is dangerous to repair or maintain the appliance by no other than a specialist because under these circumstances the cover have to be removed which assures protection against microwave radiation. This applies to changing the power cord or the lighting as well. Send the appliance in these cases to our service centre.
- The microwave oven is intended for defrosting, cooking and steaming of food only.
- Use gloves if you remove any heated food.
- Caution! Steam will escape, when opening lids or wrapping foil.
- This appliance can be used by children aged from 8 years and above and persons with reduced physical, sensory or mental capabilities or lack of experience and knowledge if they have been given supervision or instruction concerning use of the appliance in a safe way and understand the hazards involved. Children shall not play with the appliance. Cleaning and user maintenance shall not be made by children unless they are aged from 8 years and above and supervised.
- If smoke is emitted, switch off or unplug the appliance and keep the door closed in order to stifle any flames.

INSTALLATION GUIDE

- Make sure that all the packing materials are removed from the inside of the door.
- **WARNING!** - Check the oven for any damage, such as misaligned or bent door, damaged door seals and sealing surface, broken or loose door hinges and latches and dents inside the cavity or on the door. If there is any damage, do not operate the oven and contact qualified service personnel.
- This microwave oven must be placed on a flat, stable surface to hold its weight and the heaviest food likely to be cooked in the oven.
- Do not place the oven where heat, moisture or high humidity are generated, or near combustible materials.
- For correct operation, the oven must have sufficient airflow. Allow minimum 20cm of free space necessary above the top surface of the oven and 5cm at both sides. The microwave oven rear plate must be placed close to the wall. Do not cover or block any openings on the appliance. Do not remove feet.
- Do not operate the oven without glass tray, roller support, and shaft in their proper positions.
- Make sure that the power supply cord is undamaged and does not run under the oven or over any hot or sharp surface.
- The socket must be readily accessible so that it can be easily unplugged in an emergency.
- Do not use the oven outdoors.

GROUNDING INSTRUCTIONS

- This appliance must be grounded. This oven is equipped with a cord having a grounding wire with a grounding plug. It must be plugged into a wall receptacle that is properly installed and grounded. In the event of an electrical short circuit, grounding reduces risk of electric shock by providing an escape wire for the electric current. It is recommended that a separate circuit serving only the oven be provided. Using a high voltage is dangerous and may result in a fire or other accident causing oven damage.
- **WARNING!** - Improper use of the grounding plug can result in a risk of electric shock.



Note: If you have any questions about the grounding or electrical instructions, consult a qualified electrician or service person.

Neither the manufacturer nor the dealer can accept any liability for damage to the oven or personal injury resulting from failure to observe the electrical connection procedures.

The wires in this cable main are colored in accordance with the following code:

Green and Yellow = EARTH

Blue = NEUTRAL

Brown = LIVE

RADIO INTERFERENCE

Operation of the microwave oven can cause interference to your radio, TV, or similar equipment. When there is interference, it may be reduced or eliminated by taking the following measures:

1. Clean door and sealing surface of the oven.
2. Reorient the receiving antenna of radio or television.
3. Relocate the microwave oven with respect to the receiver.
4. Move the microwave oven away from the receiver.
5. Plug the microwave oven into a different outlet so that microwave oven and receiver are on different branch circuits.

BEFORE CALLING FOR SERVICE

Before asking for service, please check each item below:

- Check to ensure the oven is plugged in securely. If not, remove the plug from the outlet, wait 10 seconds, and plug it in again securely.
- Check for a blown circuit fuse or a tripped main circuit breaker. If these seem to be operating properly, test the outlet with another appliance.
- Check to ensure the control panel is programmed correctly and the timer is set.
- Check to ensure the door is securely closed, engaging the door lock system. If the door is not properly closed, the microwave energy will not flow inside.

IF NONE OF THE ABOVE RECTIFIES THE SITUATION, THEN CONTACT A QUALIFIED TECHNICIAN. DO NOT TRY TO ADJUST OR REPAIR THE OVEN YOURSELF.

MICROWAVE COOKING PRINCIPLES

1. Arrange food carefully. Place thickest areas towards outside of dish.
2. Watch cooking time. Cook for the shortest amount of time indicated and add more as needed. Food severely overcooked can smoke or ignite.
3. Cover foods while cooking. Covers prevent spattering and help foods to cook evenly.
4. Turn foods over once during microwave cooking to speed cooking of such foods as chicken and hamburgers. Large items like roasts must be turned over at least once.
5. Rearrange foods such as meatballs halfway through cooking both from top to bottom and from the center of the dish to the outside.

UTENSILS GUIDE

1. Microwave cannot penetrate metal. Only use utensils that are suitable for use in microwave ovens. Metallic containers for food and beverages are not allowed during microwave cooking. This requirement is not applicable if the manufacturer specifies size and shape of metallic containers suitable for microwave cooking.
2. Microwave cannot penetrate metal, so metal utensils or dishes with metallic trim should not be used.
3. Do not use recycled paper products when microwave cooking, as they may contain small metal fragments which may cause sparks and/or fires.
4. Round /oval dishes rather than square/oblong ones are recommend, as food in corners tends to overcook.
5. Narrow strips of aluminum foil may be used to prevent overcooking of exposed areas. But be careful don't use too much and keep a distance of 1 inch (2.54cm) between foil and cavity.

The list below is a general guide to help you select the correct utensils.



Cookware	Microwave	Grill	Combination
Heat-Resistant Glass	Yes	Yes	Yes
Non Heat-Resistant Glass	No	No	No
Heat-Resistant Ceramics	Yes	Yes	Yes
Microwave-Safe Plastic Dish	Yes	No	No
Kitchen Paper	Yes	No	No
Metal Tray	No	Yes	No
Metal Rack	No	Yes	No
Aluminum Foil & Foil Containers	No	Yes	No

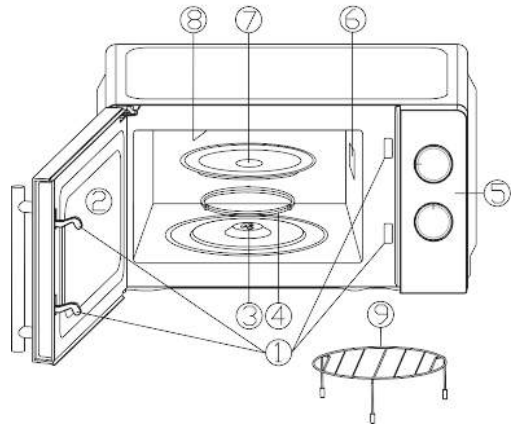
SPECIFICATIONS

Power Consumption:	230V/50Hz, 1100W(Microwave); 900W(Grill)
Rated microwave power output:	700W
Operation Frequency:	2450MHz
Outside Dimensions:	243mm(H)×446mm(W)×369mm(D)
Oven Cavity Dimensions:	172mm(H)×300mm(W)×305mm(D)
Oven Capacity:	Compact 20Litres
Net Weight:	Approx.10.4kg
Off mode	<0.3W

NOTE: The period after which the equipment reaches automatically off mode is 0 minutes.

PART NAMES

1. Door Safety Lock System
2. Oven Window
3. Shaft
4. Roller Ring
5. Control Panel
6. Wave Guide (Please do not remove the mica plate covering the wave guide)
7. Glass Tray
8. Grill Heater
9. Metal Rack



CONTROL PANEL

The control panel consists of two function operators. One is a time knob, and the other a power knob.

Power/Action Selector

You use this operator knob to choose a cooking power level. It is the first step to start a cooking session.

Timer Knob

Offer visual timing settings at easy turn of your thumb to select a desired cooking time up to 30 minutes per cooking session.

Microwave Cooking

For pure microwave cooking, there are five power levels from which to choose one as best fit to do the job at hand.

Power level increases with the knob turning clockwise. The power levels can be classified as the following:





Power Output	Description
100%	HIGH
81%	M.HIGH
58%	MED
36%	DEFROST
18%	LOW

Grill Cooking

With the knob turning clockwise passing the highest microwave power level, the oven come to the grill cooking function which is particularly useful for thin slices of meat, steaks, chops, kebabs, sausages or pieces of chicken. It is also suitable for cooking hot sandwiches and au gratin dishes.

Combination Cooking

By its name, this cooking operation combines microwave power with that of grill cooking. The operation is categorized into three levels with different combination power settings as you can see from the following table. These are particularly suitable for certain foods and culinary operations. As well as for keeping the much desired crispness of certain foods.

The following table shows 3 different power settings for combination programs.

Program	Microwave cooking time	Grill cooking time	Suitable for
Combi.1	30%	70%	Fish, potatoes, au grain
Combi.2	49%	51%	Pudding, omelets, baked potatoes
Combi.3	67%	33%	Poultry

OPERATION INSTRUCTIONS

To start a cooking session:

1. Place food into oven and close the door.
2. Turn Power Selector to select a power level.
3. Turn Timer knob to set a cooking time.

NOTE: As soon as the timer is turned, oven starts cooking. When selecting time for less than 2 minutes, turn timer past 2 minutes and then return to the correct time.

NOTE: As soon as the timer is turned, oven starts cooking. When selecting time for less than 2 minutes, turn timer past 2 minutes and then return to the correct time.

CAUTION: ALWAYS RETURN TIMER BACK TO ZERO POSITION if food is removed from oven before the set cooking time is complete or when oven is not in use. To stop oven during cooking process, push the door release button or open the door by the handle.

CLEANING AND CARE

1. Turn off the oven and remove the power plug from the wall socket before cleaning.
2. Keep the inside of the oven clean. When food splatters or spilled liquids adhere to oven walls, wipe with a damp cloth. Mild detergent may be used if the oven gets very dirty. Avoid the use of spray and other harsh cleaners as they may stain, streak or dull the door surface.
3. The outside surfaces should be cleaned with a damp cloth. To prevent damage to the operating parts inside the oven, water should not be allowed to seep into the ventilation openings.



- 4.** Wipe the door and window on both sides, the door seals and adjacent parts frequently with a damp cloth to remove any spills or splatters. Do not use abrasive cleaner.
- 5.** A steam cleaner is not be used.
- 6.** Do not allow the control panel to become wet. Clean with a soft, damp cloth. When cleaning the control panel, leave oven door open to prevent oven from accidentally turning on.
- 7.** If steam accumulates inside or around the outside of the oven door, wipe with a soft cloth. This may occur when the microwave oven is operated under high humidity condition. And it is normal.
- 8.** It is occasionally necessary to remove the glass tray for cleaning. Wash the tray in warm sudsy water or in a dishwasher.
- 9.** The roller ring and oven floor should be cleaned regularly to avoid excessive noise. Simply wipe the bottom surface of the oven with mild detergent. The roller ring may be washed in mild sudsy water or dishwasher. When removing the roller ring from cavity floor for cleaning, be sure to replace in the proper position.
- 10.** Remove odors from your oven by combining a cup of water with the juice and skin of one lemon in a deep microwaveable bowl, microwave for 5 minutes. Wipe thoroughly and dry with a soft cloth.
- 11.** When it becomes necessary to replace the oven light, please consult a dealer to have it replaced.
- 12.** The oven should be cleaned regularly and any food deposits removed. Failure to maintain the oven in a clean condition could lead to deterioration of the surface that could adversely affect the life of the appliance and possibly result in a hazardous.
- 13.** Please do not dispose this appliance into the domestic rubbish bin; it should be disposed to the particular disposal center provided by the municipalities.
- 14.** When the microwave oven with grill function is first used, it may produce slight smoke and smell. This is a normal phenomenon because the oven is made of a steel plate coated with lubricating oil, and the new oven will produce fumes and odor generated by burning the lubricating oil. This phenomenon will disappear after a period of using.

INFINITYHEAT ESPEJO REJILLA

ORIMICG20FSMIRN



LEA ATENTAMENTE ESTAS INSTRUCCIONES ANTES DE INSTALAR Y PONER EN FUNCIONAMIENTO EL HORNO.



ENERGÍA DE MICROONDAS EXCESIVA

1. No intente utilizar este horno con la puerta abierta, ya que el funcionamiento con la puerta abierta puede provocar una exposición nociva a la energía de microondas. Es importante no anular ni manipular los enclavamientos de seguridad.
2. No coloque ningún objeto entre la cara frontal del horno y la puerta ni permita que se acumulen suciedad o restos de limpiador en las superficies de sellado.
3. No utilice el horno si está dañado. Es muy importante que la puerta del horno cierre correctamente y que no haya daños en el
 - Puerta (incluida cualquier curvatura),
 - Bisagras y pestillos (rotos o sueltos),
 - Juntas de puertas y superficies de sellado.
4. El horno no debe ser ajustado ni reparado por nadie excepto personal de servicio cualificado.

INSTRUCCIONES IMPORTANTES DE SEGURIDAD

- Al utilizar un aparato eléctrico deben seguirse unas precauciones básicas de seguridad, entre las que se incluyen las siguientes:
 - **ADVERTENCIA** - Para reducir el riesgo de quemaduras, descargas eléctricas, incendios, lesiones personales o exposición a un exceso de energía de microondas:
 - Utilice este aparato sólo para el uso previsto, tal como se describe en el manual. No utilice productos químicos o vapores corrosivos en este aparato. Este tipo de horno está diseñado específicamente para calentar, cocinar o secar alimentos. No está diseñado para uso industrial o de laboratorio.
 - No utilice el horno cuando esté vacío.
 - No utilice este aparato si tiene el cable o el enchufe dañados, si no funciona correctamente o si se ha dañado o caído. Si el cable de alimentación está dañado, debe ser sustituido por el fabricante o su agente de servicio o una persona con cualificación similar con el fin de evitar un peligro.
 - **ADVERTENCIA** - Sólo permita que los niños utilicen el horno sin supervisión cuando se hayan dado las instrucciones adecuadas para que el niño sea capaz de utilizar el horno de forma segura y comprenda los peligros de un uso inadecuado.
 - Para reducir el riesgo de incendio en la cavidad del horno:
 - Al calentar alimentos en recipientes de plástico o papel, vigile el horno debido a la posibilidad de ignición.

- Retire las bridas de alambre de las bolsas de papel o plástico antes de introducirlas en el horno.
- Si observa humo, apague o desenchufe el aparato y mantenga la puerta cerrada para sofocar las llamas.
- No utilice la cavidad para guardar objetos. No deje productos de papel, utensilios de cocina o alimentos en la cavidad cuando no se utilicen.
- El horno microondas está diseñado para calentar alimentos y bebidas. El secado de alimentos o ropa y el calentamiento de almohadillas térmicas, zapatillas, esponjas, paños húmedos y similares pueden provocar riesgo de lesiones, ignición o incendio.
- **ADVERTENCIA** -No se deben calentar líquidos u otros alimentos en recipientes herméticos, ya que pueden explotar.
- El calentamiento de bebidas en microondas puede provocar una ebullición eruptiva retardada, por lo que hay que tener cuidado al manipular el recipiente.
- No fría alimentos en el horno. El aceite caliente puede dañar las piezas y utensilios del horno e incluso provocar quemaduras en la piel.
- Los huevos con cáscara y los huevos duros enteros no deben calentarse en hornos microondas, ya que pueden explotar incluso después de haber finalizado el calentamiento por microondas.
- Perfore los alimentos con piel gruesa, como las patatas, las calabazas enteras, las manzanas y las castañas, antes de cocinarlos.
- Hay que remover o agitar el contenido de los biberones y potitos y comprobar la temperatura antes de servirlos para evitar quemaduras.
- Los utensilios de cocina pueden calentarse debido al calor transferido por los alimentos calientes. Puede ser necesario utilizar agarraderas para manipular los utensilios.
- Los utensilios deben comprobarse para asegurarse de que son adecuados para su uso en el horno microondas.
- **ADVERTENCIA** -Es peligroso para cualquier persona que no sea una persona capacitada llevar a cabo cualquier operación de servicio o reparación que implique la retirada de cualquier cubierta que ofrezca protección contra la exposición a la energía de microondas.
- Este producto es un equipo ISM del Grupo 2 Clase B. La definición del Grupo 2 que contiene todos los equipos ISM (Industriales, Científicos y Médicos) en los que se genera y/o utiliza intencionadamente energía de radiofrecuencia en forma de radiación electromagnética para el tratamiento de material, y equipos de electroerosión. Los equipos de clase B son equipos aptos para su uso en establecimientos domésticos y en establecimientos conectados directamente a una red de suministro eléctrico de baja tensión que abastece a edificios de uso doméstico.
- Este aparato no está destinado a ser utilizado por personas (incluidos niños) con capacidades físicas, sensoriales o mentales reducidas, o con falta de experiencia y conocimientos, a menos que hayan sido supervisadas o instruidas acerca del uso del aparato por una persona responsable de su seguridad.
- Los niños deben ser vigilados para evitar que jueguen con el aparato.
- El horno microondas sólo se utiliza en freestanding.



- **ADVERTENCIA** -No instale el horno sobre una encimera de cocina u otro aparato que produzca calor. si se instala podría dañarse y se evitaría la garantía.
- El horno microondas no debe colocarse en el armario.
- **ADVERTENCIA** - El aparato y sus partes accesibles se calientan durante el uso.
- **ADVERTENCIA** -Las piezas accesibles pueden calentarse durante el uso. Mantenga alejados a los niños.
- Durante el uso, los aparatos se calientan. Tenga cuidado de no tocar los elementos calefactores del interior del horno.
- La temperatura de las superficies accesibles puede ser elevada cuando el aparato está en funcionamiento.
- El aparato se colocará contra una pared.
- El aparato no debe ser utilizado por niños o personas con capacidades físicas, sensoriales o mentales reducidas, o con falta de experiencia y conocimientos, a menos que hayan recibido supervisión o instrucciones.
- **ADVERTENCIA** -Si la puerta o las juntas de la puerta están dañadas, el horno no debe ponerse en funcionamiento hasta que haya sido reparado por una persona competente.
- Los aparatos no están diseñados para funcionar mediante un temporizador externo o un sistema de control remoto independiente.
- El horno microondas es sólo para uso doméstico y no para uso comercial.
- No retire nunca el soporte distanciador de la parte trasera o de los laterales, ya que garantiza una distancia mínima de la pared para la circulación del aire.
- Asegure el plato giratorio antes de mover el aparato para evitar daños.
- **ADVERTENCIA** -Es peligroso reparar o realizar el mantenimiento del aparato sólo por un especialista, ya que en estas circunstancias hay que retirar la cubierta que asegura la protección contra la radiación de microondas. Esto se aplica también al cambio del cable de alimentación o de la iluminación. En estos casos, envíe el aparato a nuestro centro de servicio.
- El horno microondas está diseñado únicamente para descongelar, cocinar y cocer al vapor alimentos.
- Utiliza guantes si retiras algún alimento caliente.
- Precaución Al abrir las tapas o envolver el papel de aluminio, saldrá vapor.
- Este aparato puede ser utilizado por niños a partir de 8 años y por personas con capacidades físicas, sensoriales o mentales reducidas o con falta de experiencia y conocimientos, si han recibido supervisión o instrucciones sobre el uso del aparato de forma segura y comprenden los peligros que conlleva. Los niños no deben jugar con el aparato. La limpieza y el mantenimiento por parte del usuario no deben ser realizados por niños a menos que tengan 8 años o más y estén supervisados.
- Si sale humo, apague o desenchufe el aparato y mantenga la puerta cerrada para sofocar las llamas.

- Asegúrese de retirar todo el material de embalaje del interior de la puerta.
- **ADVERTENCIA** - Compruebe si el horno presenta daños, como puerta desalineada o doblada, juntas y superficie de sellado de la puerta dañadas, bisagras y pestillos de la puerta rotos o sueltos y abolladuras dentro de la cavidad o en la puerta. Si hay algún daño, no utilice el horno y póngase en contacto con personal de servicio cualificado.
- Este horno microondas debe colocarse sobre una superficie plana y estable que soporte su peso y el de los alimentos más pesados susceptibles de ser cocinados en el horno.
- No coloque el horno en lugares donde se genere calor, humedad o cerca de materiales combustibles.
- Para un funcionamiento correcto, el horno debe disponer de suficiente circulación de aire. Deje como mínimo 20 cm de espacio libre necesario por encima de la superficie superior del horno y 5 cm a ambos lados. La placa posterior del horno microondas debe colocarse cerca de la pared. No cubra ni bloquee ninguna abertura del aparato. No retire las patas.
- No haga funcionar el horno sin que la bandeja de cristal, el soporte del rodillo y el eje estén en sus posiciones correctas.
- Asegúrese de que el cable de alimentación no esté dañado y de que no pase por debajo del horno ni por ninguna superficie caliente o afilada.
- El enchufe debe ser fácilmente accesible para poder desenchufarlo con facilidad en caso de emergencia.
- No utilice el horno al aire libre.

INSTRUCCIONES DE CONEXIÓN A TIERRA

- Este aparato debe estar conectado a tierra. Este horno está equipado con un cable que tiene un cable de conexión a tierra con un enchufe de conexión a tierra. Debe enchufarse en un receptáculo de pared que esté correctamente instalado y conectado a tierra. En caso de cortocircuito, la conexión a tierra reduce el riesgo de descarga eléctrica al proporcionar un cable de escape para la corriente eléctrica. Se recomienda prever un circuito separado que sirva únicamente al horno. El uso de un alto voltaje es peligroso y puede provocar un incendio u otro accidente que cause daños al horno.
- **ADVERTENCIA** - El uso inadecuado de la clavija de toma de tierra puede provocar un riesgo de descarga eléctrica.



Nota: Si tiene alguna duda sobre la conexión a tierra o las instrucciones eléctricas, consulte a un electricista o técnico cualificado.

Ni el fabricante ni el distribuidor pueden aceptar ninguna responsabilidad por daños en el horno o lesiones personales derivadas del incumplimiento de los procedimientos de conexión eléctrica.

Los hilos de este cable principal están coloreados de acuerdo con el siguiente código:

Verde y amarillo = TIERRA

Azul = NEUTRO

Marrón = VIVO

INTERFERENCIAS DE RADIO

El funcionamiento del horno microondas puede causar interferencias en su radio, TV o equipos similares. Cuando haya interferencia, puede reducirse o eliminarse tomando las siguientes medidas:

1. Limpie la puerta y la superficie de sellado del horno.
2. Reoriente la antena receptora de radio o televisión.
3. Reubique el horno microondas con respecto al receptor.
4. Aleje el horno microondas del receptor.
5. Enchufe el horno microondas en una toma de corriente diferente para que el horno microondas y el receptor estén en circuitos derivados diferentes.

ANTES DE LLAMAR AL SERVICIO TÉCNICO

Antes de solicitar el servicio, compruebe cada uno de los puntos siguientes:

- Compruebe que el horno está bien enchufado. Si no es así, desenchúfelo de la toma de corriente, espere 10 segundos y vuelva a enchufarlo firmemente.
- Compruebe si se ha fundido un fusible o se ha disparado el disyuntor principal. Si parece que funcionan correctamente, pruebe la toma con otro aparato.
- Compruebe que el panel de control está programado correctamente y que el temporizador está ajustado.
- Compruebe que la puerta está bien cerrada, engancho el sistema de bloqueo de la puerta. Si la puerta no está bien cerrada, la energía de microondas no fluirá hacia el interior.

SI NADA DE LO ANTERIOR SOLUCIONA LA SITUACIÓN, PÓNGASE EN CONTACTO CON UN TÉCNICO CUALIFICADO. NO INTENTE AJUSTAR O REPARAR EL HORNO USTED MISMO.

PRINCIPIOS DE COCCIÓN EN MICROONDAS

- 1.** Disponga los alimentos con cuidado. Coloque las zonas más gruesas hacia el exterior del plato.
- 2.** Vigilar el tiempo de cocción. Cocine durante el menor tiempo indicado y añada más si es necesario. Los alimentos muy pasados de cocción pueden humear o incendiarse.
- 3.** Cubra los alimentos mientras los cocina. Las tapas evitan salpicaduras y ayudan a que los alimentos se cocinen uniformemente.
- 4.** Dé la vuelta a los alimentos una vez durante la cocción en microondas para acelerar la cocción de alimentos como el pollo y las hamburguesas. Los alimentos grandes, como los asados, deben voltearse al menos una vez.
- 5.** Reorganice alimentos como las albóndigas a mitad de cocción, tanto de arriba abajo como del centro del plato hacia fuera.

GUÍA DE UTENSILIOS

- 1.** Las microondas no pueden penetrar en el metal. Utilice sólo utensilios adecuados para su uso en hornos microondas. No se permite el uso de recipientes metálicos para alimentos y bebidas durante la cocción con microondas. Este requisito no es aplicable si el fabricante especifica el tamaño y la forma de los recipientes metálicos adecuados para la cocción con microondas.
- 2.** Las microondas no pueden penetrar el metal, por lo que no deben utilizarse utensilios metálicos ni platos con adornos metálicos.
- 3.** No utilice productos de papel reciclado al cocinar con microondas, ya que pueden contener pequeños fragmentos metálicos que pueden provocar chispas y/o incendios.
- 4.** Se recomiendan los platos redondos /ovalados en lugar de los cuadrados/oblongos, ya que la comida en las esquinas tiende a cocinarse demasiado.
- 5.** Se pueden utilizar tiras estrechas de papel de aluminio para evitar que se cocinen demasiado las zonas expuestas. Pero tenga cuidado de no usar demasiado y mantenga una distancia de 2,54 cm (1 pulgada) entre el papel de aluminio y la cavidad.

La lista que figura a continuación es una guía general que le ayudará a seleccionar los utensilios adecuados.



Batería de cocina	Microondas	Parrilla	Combinación
Cristal resistente al calor	Sí	Sí	Sí
Vidrio no resistente al calor	No	No	No
Cerámica resistente al calor	Sí	Sí	Sí
Plato de plástico apto para microondas	Sí	No	No
Papel de cocina	Sí	No	No
Bandeja metálica	No	Sí	No
Estante metálico	No	Sí	No
Papel de aluminio y envases de papel de aluminio	No	Sí	No

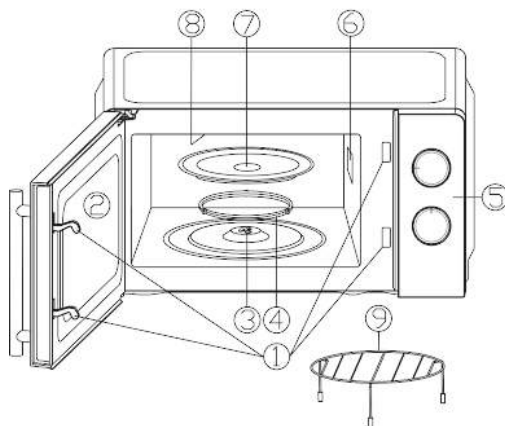
ESPECIFICACIONES

Consumo de energía:	230V/50Hz, 1100W(Microondas); 900W(Grill)
Potencia nominal de microondas:	700W
Frecuencia de funcionamiento:	2450 MHz
Dimensiones exteriores:	243mm(H)×446mm(W)×369mm(D)
Dimensiones de la cavidad del horno:	172mm(H)×300mm(W)×305mm(D)
Capacidad del horno:	Compacto 20Litros
Peso neto:	Aprox.10.4kg
Modo desactivado	<0,3W

NOTA: El periodo tras el cual el equipo alcanza el modo de apagado automático es de 0 minutos.

NOMBRES DE LAS PARTES

1. Sistema de bloqueo de seguridad de puertas
2. Horno Ventana
3. Eje
4. Anillo de rodillos
5. Panel de control
6. Guía de ondas (Por favor, no retire la placa de mica que cubre la guía de ondas)
7. Bandeja de cristal
8. Calentador de parrilla
9. Estante metálico



PANEL DE CONTROL

El panel de control consta de dos mandos de función. Uno es un mando de tiempo y el otro de potencia.

Selector de potencia/acción

Con este mando se elige el nivel de potencia de cocción. Es el primer paso para iniciar una sesión de cocción.

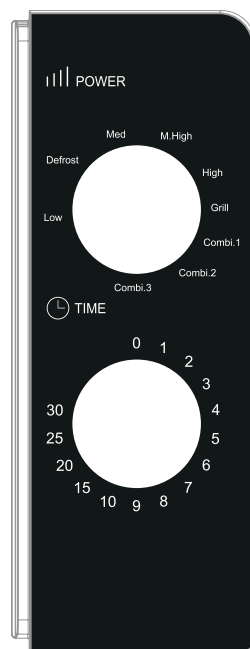
Pomo del temporizador

Ofrece ajustes visuales de temporización con sólo girar el pulgar para seleccionar el tiempo de cocción deseado de hasta 30 minutos por sesión de cocción.

Cocinar con microondas

Para cocinar puramente con microondas, hay cinco niveles de potencia entre los que elegir el más adecuado para realizar el trabajo que se desea.

El nivel de potencia aumenta al girar el mando en el sentido de las agujas del reloj. Los niveles de potencia se pueden clasificar como sigue:





Potencia de salida	Descripción
100%	ALTO
81%	M.ALTO
58%	MEDIO
36%	DESCONGELACIÓN
18%	BAJA

Cocinar a la parrilla

Al girar el mando en el sentido de las agujas del reloj y pasar al nivel más alto de potencia de microondas, el horno pasa a la función de cocción grill, especialmente útil para rodajas finas de carne, filetes, chuletas, kebabs, salchichas o trozos de pollo. También es adecuado para cocinar sándwiches calientes y platos gratinados.

Cocina combinada

Por su nombre, esta operación de cocción combina la potencia de las microondas con la del grill. La operación se clasifica en tres niveles con diferentes ajustes de potencia combinada, como puede ver en la siguiente tabla. Son especialmente adecuados para determinados alimentos y operaciones culinarias. Así como para mantener el tan deseado crujiente de ciertos alimentos.

La siguiente tabla muestra 3 ajustes de potencia diferentes para programas combinados.

Programa	Tiempo de cocción en microondas	Tiempo de cocción a la parrilla	Adecuado para
Combi.1	30%	70%	Pescado, patatas, cereales
Combi.2	49%	51%	Pudding, tortillas, patatas asadas
Combi.3	67%	33%	Aves de corral



INSTRUCCIONES DE USO

Para iniciar una sesión de cocina:

1. Introduzca los alimentos en el horno y cierre la puerta.
2. Gire el selector de potencia para seleccionar un nivel de potencia.
3. Gire el botón del temporizador para ajustar el tiempo de cocción.

NOTA: En cuanto se gira el temporizador, el horno empieza a cocinar. Cuando seleccione un tiempo inferior a 2 minutos, gire el temporizador más allá de 2 minutos y luego vuelva al tiempo correcto.

NOTA: En cuanto se gira el temporizador, el horno empieza a cocinar. Cuando seleccione un tiempo inferior a 2 minutos, gire el temporizador más allá de los 2 minutos y luego vuelva al tiempo correcto.

PRECAUCIÓN: VUELVA SIEMPRE EL TEMPORIZADOR A LA POSICIÓN CERO si se retiran los alimentos del horno antes de que se complete el tiempo de cocción establecido o cuando el horno no esté en uso. Para detener el horno durante el proceso de cocción, pulse el botón de apertura de la puerta o abra la puerta por el asa.

LIMPIEZA Y CUIDADO

1. Apague el horno y desenchúfelo de la toma de corriente antes de limpiarlo.
2. Mantenga limpio el interior del horno. Cuando salpicaduras de comida o líquidos derramados se adhieran a las paredes del horno, límpielas con un paño húmedo. Puede utilizar detergente suave si el horno se ensucia mucho. Evite el uso de aerosoles y otros limpiadores fuertes, ya que pueden manchar, dejar rayas u opacar la superficie de la puerta.
3. Las superficies exteriores deben limpiarse con un paño húmedo. Para evitar daños en las piezas de funcionamiento del interior del horno, no debe permitirse que entre agua por las aberturas de ventilación.



- 4.** Limpie con frecuencia la puerta y la ventanilla por ambos lados, las juntas de la puerta y las piezas adyacentes con un paño húmedo para eliminar cualquier derrame o salpicadura. No utilice limpiadores abrasivos.
- 5.** No se debe utilizar un limpiador de vapor.
- 6.** No permita que el panel de control se moje. Límpielo con un paño suave y húmedo. Cuando limpie el panel de control, deje la puerta del horno abierta para evitar que el horno se encienda accidentalmente.
- 7.** Si se acumula vapor dentro o alrededor del exterior de la puerta del horno, límpiela con un paño suave. Esto puede ocurrir cuando el horno microondas funciona en condiciones de alta humedad. Y es normal.
- 8.** De vez en cuando es necesario desmontar la bandeja de cristal para limpiarla. Lave la bandeja en agua tibia jabonosa o en el lavavajillas.
- 9.** El anillo de rodillos y el suelo del horno deben limpiarse regularmente para evitar ruidos excesivos. Simplemente limpie la superficie inferior del horno con un detergente suave. El anillo de rodillos puede lavarse en agua jabonosa suave o en el lavavajillas. Cuando retire el anillo de rodillos del suelo de la cavidad para limpiarlo, asegúrese de volver a colocarlo en la posición correcta.
- 10.** Elimina los olores de tu horno combinando una taza de agua con el zumo y la piel de un limón en un recipiente hondo apto para microondas, caliéntalo durante 5 minutos. Limpie a fondo y seque con un paño suave.
- 11.** Cuando sea necesario sustituir la luz del horno, consulte a un distribuidor para que la sustituya.
- 12.** El horno debe limpiarse con regularidad y deben eliminarse los depósitos de alimentos. Si no se mantiene el horno limpio, la superficie podría deteriorarse, lo que podría afectar negativamente a la vida útil del aparato y, posiblemente, resultar peligroso.
- 13.** Por favor, no tire este aparato al cubo de la basura doméstica; debe ser desechado en el centro de eliminación específico proporcionado por los municipios.
- 14.** Cuando el horno microondas con función grill se utiliza por primera vez, puede producir un ligero humo y olor. Este es un fenómeno normal porque el horno está hecho de una placa de acero recubierta con aceite lubricante, y el horno nuevo producirá humos y olor generados por la combustión del aceite lubricante. Este fenómeno desaparecerá después de un período de uso.

GRIGLIA DELLO SPECCHIO INFINITYHEAT

ORIMICG20FSMIRN



LEGGERE ATTENTAMENTE QUESTE ISTRUZIONI PRIMA DI INSTALLARE E UTILIZZARE IL FORNO.



PRECAUZIONI PER EVITARE LA POSSIBILE ESPOSIZIONE

ENERGIA A MICROONDE ECCESSIVA

1. Non tentare di far funzionare il forno con lo sportello aperto, poiché il funzionamento a sportello aperto può provocare un'esposizione nociva all'energia delle microonde. È importante non disattivare o manomettere gli interblocchi di sicurezza.
2. Non collocare alcun oggetto tra il frontale del forno e lo sportello e non lasciare che residui di sporco o di detergente si accumulino sulle superfici di tenuta.
3. Non utilizzare il forno se è danneggiato. È molto importante che lo sportello del forno si chiuda correttamente e che non vi siano danni alla
 - Porta (compresa l'eventuale piegatura),
 - Cerniere e chiusure (rotte o allentate),
 - Guarnizioni e superfici di tenuta della porta.
4. Il forno non deve essere regolato o riparato da persone diverse dal personale di assistenza qualificato.

IMPORTANTI ISTRUZIONI DI SICUREZZA

- Quando si utilizzano apparecchi elettrici è necessario seguire le precauzioni di sicurezza di base, tra cui le seguenti:
 - **AVVERTENZA!** - Per ridurre il rischio di ustioni, scosse elettriche, incendi, lesioni alle persone o esposizione a un'eccessiva energia a microonde:
 - Utilizzare questo apparecchio solo per l'uso previsto, come descritto nel manuale. Non utilizzare sostanze chimiche o vapori corrosivi in questo apparecchio. Questo tipo di forno è stato progettato specificamente per riscaldare, cuocere o asciugare gli alimenti. Non è stato progettato per uso industriale o di laboratorio.
 - Non utilizzare il forno quando è vuoto.
 - Non mettere in funzione questo apparecchio se ha il cavo o la spina danneggiati, se non funziona correttamente o se è stato danneggiato o è caduto. Se il cavo di alimentazione è danneggiato, deve essere sostituito dal produttore o dal suo agente di assistenza o da una persona altrettanto qualificata per evitare un pericolo.
 - **AVVERTENZA!** - Consentire ai bambini di utilizzare il forno senza supervisione solo se sono state fornite istruzioni adeguate affinché il bambino sia in grado di utilizzare il forno in modo sicuro e comprenda i rischi di un uso improprio.
 - Per ridurre il rischio di incendio nella cavità del forno:
 - Quando si riscaldano alimenti in contenitori di plastica o di carta, tenere d'occhio il forno per evitare che si accendano.

- Rimuovere i lacci metallici dai sacchetti di carta o di plastica prima di metterli in forno.
- Se si nota del fumo, spegnere o scollegare l'apparecchio e tenere la porta chiusa per soffocare eventuali fiamme.
- Non utilizzare la cavità per la conservazione. Non lasciare prodotti di carta, utensili da cucina o alimenti nella cavità quando non vengono utilizzati.
- Il forno a microonde è destinato al riscaldamento di cibi e bevande. L'asciugatura di alimenti o indumenti e il riscaldamento di tappetini riscaldanti, pantofole, spugne, panni umidi e simili possono comportare il rischio di lesioni, accensione o incendio.
- **AVVERTENZA!** -Non è consentito riscaldare liquidi o altri alimenti in contenitori sigillati, poiché potrebbero esplodere.
- Il riscaldamento a microonde delle bevande può provocare un'ebollizione eruttiva ritardata, pertanto è necessario prestare attenzione nel maneggiare il contenitore.
- Non friggete i cibi nel forno. L'olio caldo può danneggiare le parti e gli utensili del forno e provocare ustioni alla pelle.
- Le uova con il guscio e le uova sode intere non devono essere riscaldate nel forno a microonde, poiché potrebbero esplodere anche al termine del riscaldamento.
- Forare gli alimenti con buccia pesante come patate, zucche intere, mele e castagne prima della cottura.
- Il contenuto dei biberon e dei vasetti di cibo per bambini deve essere mescolato o agitato e la temperatura deve essere controllata prima di essere servita per evitare ustioni.
- Gli utensili da cucina possono surriscaldarsi a causa del calore trasferito dal cibo riscaldato. Per maneggiare gli utensili possono essere necessarie delle presine.
- Gli utensili devono essere controllati per verificare che siano adatti all'uso nel forno a microonde.
- **AVVERTENZA!** -È pericoloso per chiunque non sia addestrato eseguire qualsiasi operazione di manutenzione o riparazione che comporti la rimozione di una copertura che protegge dall'esposizione alle microonde.
- Questo prodotto è un'apparecchiatura ISM di Gruppo 2 Classe B. La definizione del Gruppo 2 contiene tutte le apparecchiature ISM (industriali, scientifiche e mediche) in cui l'energia a radiofrequenza è intenzionalmente generata e/o utilizzata sotto forma di radiazioni elettromagnetiche per il trattamento di materiali e le apparecchiature per l'erosione delle scintille. Per apparecchiature di Classe B si intendono le apparecchiature adatte all'uso in ambienti domestici e in ambienti direttamente collegati a una rete di alimentazione a bassa tensione che alimenta edifici utilizzati per scopi domestici.
- Questo apparecchio non è destinato all'uso da parte di persone (compresi i bambini) con ridotte capacità fisiche, sensoriali o mentali, o con mancanza di esperienza e conoscenza, a meno che non abbiano ricevuto supervisione o istruzioni sull'uso dell'apparecchio da parte di una persona responsabile della loro sicurezza.
- I bambini devono essere sorvegliati per evitare che giochino con l'apparecchio.
- Il forno a microonde viene utilizzato solo in versione freestanding.
- **AVVERTENZA!** -Non installare il forno sopra un piano di cottura o un altro apparec-



chio che produce calore. se installato potrebbe essere danneggiato e la garanzia verrebbe meno.

- Il forno a microonde non deve essere collocato nell'armadio.
- **AVVERTENZA!** L'apparecchio e le sue parti accessibili si surriscaldano durante l'uso.
- **AVVERTENZA!** -Le parti accessibili possono diventare calde durante l'uso. I bambini piccoli devono essere tenuti lontani.
- Durante l'uso l'apparecchio si riscalda. Occorre fare attenzione a non toccare gli elementi riscaldanti all'interno del forno, per la cottura a distanza e per i forni.
- La temperatura delle superfici accessibili può essere elevata quando l'apparecchio è in funzione.
- L'apparecchio deve essere collocato contro una parete.
- L'apparecchio non deve essere utilizzato da bambini o da persone con ridotte capacità fisiche, sensoriali o mentali, o con mancanza di esperienza e di conoscenze, a meno che non siano state sottoposte a supervisione o istruzione.
- **AVVERTENZA!** -Se la porta o le guarnizioni della porta sono danneggiate, il forno non deve essere messo in funzione finché non è stato riparato da una persona competente.
- Gli apparecchi non sono destinati a essere azionati tramite un timer esterno o un sistema di controllo a distanza separato.
- Il forno a microonde è destinato esclusivamente all'uso domestico e non a quello commerciale.
- Non rimuovere mai il distanziatore sul retro o sui lati, poiché garantisce una distanza minima dalla parete per la circolazione dell'aria.
- Per evitare danni, fissare il giradischi prima di spostare l'apparecchio.
- **AVVERTENZA!** -È pericoloso affidare la riparazione o la manutenzione dell'apparecchio a personale non specializzato, perché in queste circostanze è necessario rimuovere il coperchio che garantisce la protezione dalle radiazioni a microonde. Questo vale anche per la sostituzione del cavo di alimentazione o dell'illuminazione. In questi casi, inviare l'apparecchio al nostro centro di assistenza.
- Il forno a microonde è destinato esclusivamente allo scongelamento, alla cottura e alla cottura a vapore degli alimenti.
- Usare i guanti se si rimuove il cibo riscaldato.
- Attenzione! Il vapore fuoriesce quando si aprono i coperchi o si avvolge la pellicola.
- Questo apparecchio può essere utilizzato da bambini a partire dagli 8 anni di età e da persone con ridotte capacità fisiche, sensoriali o mentali o con mancanza di esperienza e conoscenza, a condizione che abbiano ricevuto supervisione o istruzioni sull'uso dell'apparecchio in modo sicuro e che comprendano i pericoli connessi. I bambini non devono giocare con l'apparecchio. La pulizia e la manutenzione da parte dell'utente non devono essere eseguite da bambini, a meno che non abbiano un'età pari o superiore a 8 anni e siano sorvegliati.
- In caso di emissione di fumo, spegnere o scollegare l'apparecchio e tenere lo sportello chiuso per soffocare eventuali fiamme.

- Assicurarsi che tutti i materiali di imballaggio siano stati rimossi dall'interno della porta.
- **AVVERTENZA!** - Controllare che il forno non presenti danni, come ad esempio uno sportello non allineato o piegato, guarnizioni e superfici di tenuta danneggiate, cerniere e chiusure dello sportello rotte o allentate e ammaccature dall'interno della cavità o sullo sportello. In caso di danni, non utilizzare il forno e rivolgersi a personale di assistenza qualificato.
- Questo forno a microonde deve essere collocato su una superficie piana e stabile per sostenere il suo peso e quello degli alimenti più pesanti che possono essere cotti nel forno.
- Non collocare il forno in luoghi in cui si generano calore, umidità o elevata umidità, o in prossimità di materiali combustibili.
- Per un corretto funzionamento, il forno deve avere un flusso d'aria sufficiente. Lasciare almeno 20 cm di spazio libero sopra la superficie superiore del forno e 5 cm su entrambi i lati. Il pannello posteriore del forno a microonde deve essere posizionato vicino alla parete. Non coprire o bloccare le aperture dell'apparecchio. Non rimuovere i piedini.
- Non mettere in funzione il forno senza il vassoio di vetro, il supporto del rullo e l'albero nella loro posizione corretta.
- Assicurarsi che il cavo di alimentazione non sia danneggiato e che non passi sotto il forno o su superfici calde o taglienti.
- La presa deve essere facilmente accessibile in modo da poterla staccare in caso di emergenza.
- Non utilizzare il forno all'aperto.

ISTRUZIONI PER LA MESSA A TERRA

- Questo apparecchio deve essere collegato a terra. Questo forno è dotato di un cavo con un filo di messa a terra e una spina di messa a terra. Deve essere collegato a una presa a muro correttamente installata e dotata di messa a terra. In caso di cortocircuito elettrico, la messa a terra riduce il rischio di scosse elettriche fornendo un filo di fuga per la corrente elettrica. Si raccomanda di prevedere un circuito separato che serva solo il forno. L'uso dell'alta tensione è pericoloso e può provocare incendi o altri incidenti che causano danni al forno.
- **AVVERTENZA!** - L'uso improprio della spina di messa a terra può comportare il rischio di scosse elettriche.

Nota: in caso di dubbi sulla messa a terra o sulle istruzioni elettriche, consultare un elettricista o un tecnico qualificato.

Né il produttore né il rivenditore possono assumersi alcuna responsabilità per danni al forno o per lesioni personali derivanti dalla mancata osservanza delle procedure di collegamento elettrico.

I fili di questo cavo principale sono colorati secondo il seguente codice:

Verde e giallo = TERRA

Blu = NEUTRO

Marrone = VIVO

INTERFERENZE RADIO

Il funzionamento del forno a microonde può causare interferenze alle apparecchiature radio, TV o simili. Le interferenze possono essere ridotte o eliminate adottando le seguenti misure:

1. Pulire la porta e la superficie di tenuta del forno.
2. Riorientare l'antenna di ricezione della radio o della televisione.
3. Riposizionare il forno a microonde rispetto al ricevitore.
4. Allontanare il forno a microonde dal ricevitore.
5. Collegare il forno a microonde a una presa diversa, in modo che il forno a microonde e il ricevitore si trovino su circuiti diversi.

PRIMA DI CHIAMARE L'ASSISTENZA

Prima di richiedere l'assistenza, controllare ogni voce qui sotto:

- Verificare che il forno sia collegato saldamente alla presa di corrente. In caso contrario, togliere la spina dalla presa, attendere 10 secondi e ricollegarla saldamente.
- Verificare se il fusibile del circuito è bruciato o se l'interruttore principale è scattato. Se questi sembrano funzionare correttamente, testare la presa con un altro apparecchio.
- Verificare che il pannello di controllo sia programmato correttamente e che il timer sia impostato.
- Verificare che lo sportello sia ben chiuso, attivando il sistema di blocco dello sportello. Se lo sportello non è chiuso correttamente, l'energia delle microonde non fluisce all'interno.

SE NESSUNO DEI PRECEDENTI INTERVENTI RISOLVE IL PROBLEMA, RIVOLGERSI A UN TECNICO QUALIFICATO. NON CERCARE DI REGOLARE O RIPARARE IL FORNO DA SOLI.

PRINCIPI DI COTTURA A MICROONDE

- 1.** Disporre il cibo con cura. Collocare le zone più spesse verso l'esterno del piatto.
- 2.** Osservare il tempo di cottura. Cuocere per il minor tempo indicato e aggiungere altro se necessario. Gli alimenti molto cotti possono fumare o incendiarsi.
- 3.** Coprire gli alimenti durante la cottura. I coperchi impediscono la formazione di schizzi e aiutano gli alimenti a cuocere in modo uniforme.
- 4.** Per accelerare la cottura di alimenti come il pollo e gli hamburger, girate i cibi una volta durante la cottura al microonde. Gli alimenti di grandi dimensioni, come gli arrostiti, devono essere girati almeno una volta.
- 5.** A metà cottura, riordinare gli alimenti come le polpette, sia dall'alto verso il basso che dal centro del piatto verso l'esterno.

GUIDA AGLI UTENSILI

- 1.** Le microonde non possono penetrare nel metallo. Utilizzare solo utensili adatti al forno a microonde. I contenitori metallici per alimenti e bevande non sono ammessi durante la cottura a microonde. Questo requisito non è applicabile se il produttore specifica le dimensioni e la forma dei contenitori metallici adatti alla cottura a microonde.
- 2.** Il microonde non è in grado di penetrare il metallo, quindi non si devono usare utensili di metallo o piatti con finiture metalliche.
- 3.** Non utilizzare prodotti di carta riciclata per la cottura a microonde, in quanto possono contenere piccoli frammenti metallici che possono provocare scintille e/o incendi.
- 4.** Si consiglia di utilizzare piatti rotondi/ovalati piuttosto che quadrati/oblunghi, poiché il cibo negli angoli tende a cuocere troppo.
- 5.** Per evitare una cottura eccessiva delle aree esposte, si possono usare strisce strette di carta d'alluminio. Ma fate attenzione a non usarne troppo e a mantenere una distanza di 2,54 cm tra il foglio e la cavità.

L'elenco che segue è una guida generale per aiutarvi a scegliere gli utensili corretti.



Pentole	Microonde	Griglia	Combinazione
Vetro resistente al calore	Si	Si	Si
Vetro non resistente al calore	No	No	No
Ceramica resistente al calore	Si	Si	Si
Piatto di plastica adatto al microonde	Si	No	No
Carta da cucina	Si	No	No
Vassoio in metallo	No	Si	No
Cremagliera in metallo	No	Si	No
Foglio di alluminio e contenitori di alluminio	No	Si	No

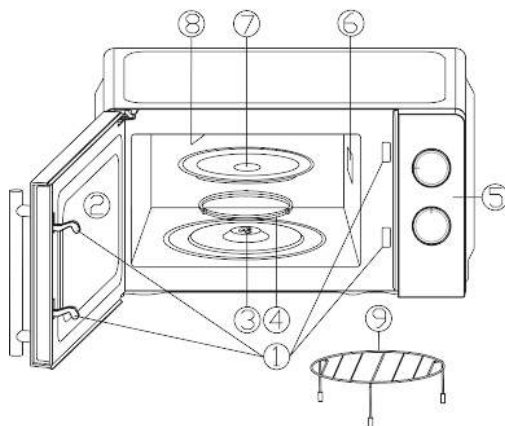
SPECIFICHE

Consumo di energia:	230V/50Hz, 1100W (Microonde); 900W (Grill)
Potenza nominale delle microonde:	700W
Frequenza di funzionamento:	2450MHz
Dimensioni esterne:	243mm(H)×446mm(W)×369mm(D)
Dimensioni della cavità del forno:	172mm(H)×300mm(W)×305mm(D)
Capacità del forno:	Compatto da 20 litri
Peso netto:	Circa 10,4 kg
Modalità off	<0,3W

NOTA: Il periodo dopo il quale l'apparecchiatura raggiunge la modalità di spegnimento automatico è di 0 minuti.

NOMI DELLE PARTI

1. Sistema di blocco di sicurezza della porta
2. Finestra del forno
3. Albero
4. Anello a rulli
5. Pannello di controllo
6. Guida d'onda (non rimuovere il rivestimento in mica nella guida d'onda)
7. Vassoio in vetro
8. Riscaldatore per grill
9. Cremagliera in metallo



PANNELLO DI CONTROLLO

Il pannello di controllo è composto da due operatori funzionali. Una è la manopola dell'ora e l'altra è la manopola della potenza.

Selettore di potenza/azione

Con questa manopola si sceglie il livello di potenza di cottura. È il primo passo per avviare una sessione di cottura.

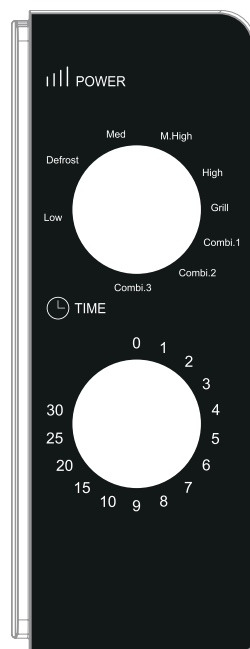
Manopola del timer

Offre impostazioni di temporizzazione visive con una semplice rotazione del pollice per selezionare il tempo di cottura desiderato fino a 30 minuti per sessione di cottura.

Cottura a microonde

Per la cottura a microonde pura, sono disponibili cinque livelli di potenza tra i quali scegliere quello più adatto al lavoro da svolgere.

Il livello di potenza aumenta ruotando la manopola in senso orario. I livelli di potenza possono essere classificati come segue:





Potenza in uscita	Descrizione
100%	ALTO
81%	M.ALTO
58%	MED
36%	SCONGELAMENTO
18%	BASSO

Cottura alla griglia

Ruotando la manopola in senso orario e superando il livello di potenza più alto delle microonde, il forno passa alla funzione di cottura grill, particolarmente utile per fette di carne sottili, bistecche, braciole, kebab, salsicce o pezzi di pollo. È anche adatto per cucinare panini caldi e piatti gratinati.

Cucina combinata

Come dice il nome, questo tipo di cottura combina la potenza delle microonde con quella della cottura alla griglia. Il funzionamento è suddiviso in tre livelli con diverse impostazioni di potenza combinata, come si può vedere dalla tabella seguente. Queste sono particolarmente adatte a determinati alimenti e operazioni culinarie. Inoltre, consentono di mantenere la tanto desiderata croccantezza di alcuni alimenti.

La tabella seguente mostra 3 diverse impostazioni di potenza per i programmi combinati.

Programma	Tempo di cottura in microonde	Tempo di cottura alla griglia	Adatto per
Combi.1	30%	70%	Pesce, patate, cereali
Combi.2	49%	51%	Budino, omelette, patate al forno
Combi.3	67%	33%	Pollame

ISTRUZIONI PER L'USO

Per avviare una sessione di cottura:

1. Inserire il cibo nel forno e chiudere lo sportello.
2. Ruotare il selettore di potenza per selezionare un livello di potenza.
3. Ruotare la manopola del timer per impostare il tempo di cottura.

NOTA: non appena si gira il timer, il forno inizia a cuocere. Quando si seleziona un tempo inferiore a 2 minuti, ruotare il timer oltre i 2 minuti e poi tornare al tempo corretto.

NOTA: non appena il timer viene attivato, il forno inizia a cuocere. Quando si seleziona un tempo inferiore a 2 minuti, ruotare il timer oltre i 2 minuti e poi tornare al tempo corretto.

ATTENZIONE: RIPORTARE SEMPRE IL TIMER IN POSIZIONE ZERO se il cibo viene rimosso dal forno prima del completamento del tempo di cottura impostato o quando il forno non è in uso. Per arrestare il forno durante il processo di cottura, premere il pulsante di apertura della porta o aprire la porta dalla maniglia.

PULIZIA E CURA

1. Prima di procedere alla pulizia, spegnere il forno e togliere la spina dalla presa di corrente.
2. Mantenere pulito l'interno del forno. Se schizzi di cibo o liquidi versati aderiscono alle pareti del forno, pulire con un panno umido. Se il forno è molto sporco, si può usare un detergente delicato. Evitare l'uso di spray e di altri detersivi aggressivi, perché potrebbero macchiare, striare o opacizzare la superficie dello sportello.
3. Le superfici esterne devono essere pulite con un panno umido. Per evitare di danneggiare le parti operative all'interno del forno, l'acqua non deve penetrare nelle aperture di ventilazione.



- 4.** Pulire frequentemente la porta e il finestrino su entrambi i lati, le guarnizioni della porta e le parti adiacenti con un panno umido per rimuovere eventuali fuoriuscite o schizzi. Non utilizzare detergenti abrasivi.
- 5.** Non utilizzare un pulitore a vapore.
- 6.** Non lasciare che il pannello di controllo si bagni. Pulire con un panno morbido e umido. Quando si pulisce il pannello di controllo, lasciare lo sportello del forno aperto per evitare che il forno si accenda accidentalmente.
- 7.** Se il vapore si accumula all'interno o all'esterno dello sportello del forno, pulirlo con un panno morbido. Questo fenomeno può verificarsi quando il forno a microonde viene utilizzato in condizioni di elevata umidità. È normale.
- 8.** Occasionalmente è necessario rimuovere il vassoio di vetro per la pulizia. Lavare il vassoio in acqua calda e umida o in lavastoviglie.
- 9.** L'anello del rullo e il pavimento del forno devono essere puliti regolarmente per evitare un'eccessiva rumorosità. È sufficiente pulire la superficie inferiore del forno con un detergente delicato. L'anello a rulli può essere lavato in acqua dolce o in lavastoviglie. Quando si rimuove l'anello a rulli dal piano della cavità per la pulizia, assicurarsi di rimmetterlo nella posizione corretta.
- 10.** Per eliminare gli odori dal forno, unire una tazza d'acqua con il succo e la buccia di un limone in una ciotola profonda adatta al microonde e cuocere al microonde per 5 minuti. Asciugare accuratamente con un panno morbido.
- 11.** Quando si rende necessario sostituire la luce del forno, rivolgersi a un rivenditore per la sostituzione.
- 12.** Il forno deve essere pulito regolarmente e i depositi di cibo devono essere rimossi. Il mancato mantenimento del forno in condizioni di pulizia potrebbe causare il deterioramento della superficie che potrebbe influire negativamente sulla durata dell'apparecchio ed eventualmente provocare un pericolo.
- 13.** Non smaltire l'apparecchio nella spazzatura domestica; deve essere smaltito negli appositi centri di smaltimento previsti dai comuni.
- 14.** Quando il forno a microonde con funzione grill viene utilizzato per la prima volta, può produrre un leggero fumo e odore. Si tratta di un fenomeno normale perché il forno è costituito da una piastra d'acciaio rivestita di olio lubrificante e il nuovo forno produrrà fumi e odori generati dalla combustione dell'olio lubrificante. Questo fenomeno scomparirà dopo un certo periodo di utilizzo.

GRILLE DE MIROIR INFINITYHEAT

ORIMICG20FSMIRN



VEUILLEZ LIRE ATTENTIVEMENT CES INSTRUCTIONS AVANT D'INSTALLER ET D'UTILISER LE FOUR.

L'ÉNERGIE EXCESSIVE DES MICRO-ONDES

1. N'essayez pas de faire fonctionner ce four avec la porte ouverte, car l'ouverture de la porte peut entraîner une exposition nocive à l'énergie des micro-ondes. Il est important de ne pas neutraliser ou altérer les verrouillages de sécurité.
2. Ne placez aucun objet entre la face avant du four et la porte et ne laissez pas de salissures ou de résidus de nettoyant s'accumuler sur les surfaces d'étanchéité.
3. Ne pas utiliser le four s'il est endommagé. Il est très important que la porte du four se ferme correctement et qu'elle ne soit pas endommagée
 - Porte (y compris toute courbure),
 - Charnières et loquets (cassés ou desserrés),
 - Joints de porte et surfaces d'étanchéité.
4. Le four ne doit être réglé ou réparé que par un personnel qualifié.

INSTRUCTIONS IMPORTANTES EN MATIÈRE DE SÉCURITÉ

- Lors de l'utilisation d'un appareil électrique, il convient de respecter les mesures de sécurité de base, notamment les suivantes :
- **AVERTISSEMENT !** - Pour réduire les risques de brûlures, d'électrocution, d'incendie, de blessures ou d'exposition à une énergie micro-ondes excessive :
- N'utilisez cet appareil que pour l'usage auquel il est destiné, tel qu'il est décrit dans le manuel. N'utilisez pas de produits chimiques ou de vapeurs corrosives dans cet appareil. Ce type de four est spécifiquement conçu pour chauffer, cuire ou sécher des aliments. Il n'est pas conçu pour une utilisation industrielle ou en laboratoire.
- Ne pas faire fonctionner le four lorsqu'il est vide.
- N'utilisez pas cet appareil si le cordon ou la fiche est endommagé, s'il ne fonctionne pas correctement, s'il a été endommagé ou s'il est tombé. Si le cordon d'alimentation est endommagé, il doit être remplacé par le fabricant, son agent de service ou une personne de qualification similaire afin d'éviter tout danger.
- **AVERTISSEMENT !** - N'autorisez les enfants à utiliser le four sans surveillance que si des instructions adéquates leur ont été données afin qu'ils soient en mesure d'utiliser le four en toute sécurité et qu'ils comprennent les risques d'une utilisation incorrecte.
- Pour réduire le risque d'incendie dans la cavité du four :
- Lorsque vous faites chauffer des aliments dans des récipients en plastique ou en papier, surveillez le four en raison du risque d'inflammation.
- Retirer les attaches en fil de fer des sacs en papier ou en plastique avant de les placer dans le four.
- Si de la fumée est observée, éteignez ou débranchez l'appareil et maintenez la porte fermée afin d'étouffer toute flamme.

- Ne pas utiliser la cavité à des fins de stockage. Ne laissez pas de produits en papier, d'ustensiles de cuisine ou d'aliments dans la cavité lorsqu'elle n'est pas utilisée.
- Le four à micro-ondes est destiné à chauffer des aliments et des boissons. Le séchage d'aliments ou de vêtements et le chauffage de coussins chauffants, de pantoufles, d'éponges, de tissus humides et autres peuvent entraîner un risque de blessure, d'incendie ou d'incendie.
- **AVERTISSEMENT !** -Les liquides et autres aliments ne doivent pas être chauffés dans des récipients hermétiques, car ils risquent d'exploser.
- Le chauffage des boissons par micro-ondes peut entraîner une ébullition éruptive retardée, c'est pourquoi il convient de manipuler le récipient avec précaution.
- Ne faites pas frire d'aliments dans le four. L'huile chaude peut endommager les pièces et les ustensiles du four et même provoquer des brûlures cutanées.
- Les œufs dans leur coquille et les œufs durs entiers ne doivent pas être chauffés au four à micro-ondes, car ils peuvent exploser même après la fin du chauffage au four à micro-ondes.
- Percer les aliments à peau épaisse tels que les pommes de terre, les courges entières, les pommes et les châtaignes avant de les faire cuire.
- Le contenu des biberons et des petits pots doit être remué ou agité et la température doit être vérifiée avant d'être servie afin d'éviter les brûlures.
- Les ustensiles de cuisine peuvent devenir chauds en raison de la chaleur transférée par les aliments chauffés. Des maniques peuvent être nécessaires pour manipuler l'ustensile.
- Les ustensiles doivent être vérifiés pour s'assurer qu'ils peuvent être utilisés dans un four à micro-ondes.
- **AVERTISSEMENT !** -Il est dangereux pour toute personne autre qu'une personne qualifiée d'effectuer une opération d'entretien ou de réparation impliquant le retrait d'un couvercle de protection contre l'exposition à l'énergie des micro-ondes.
- Ce produit est un équipement ISM de classe B du groupe 2. La définition du groupe 2 contient tous les équipements ISM (industriels, scientifiques et médicaux) dans lesquels de l'énergie radiofréquence est intentionnellement générée et/ou utilisée sous forme de rayonnement électromagnétique pour le traitement de matériaux, ainsi que les équipements de décapage par étincelage. Les équipements de classe B sont des équipements adaptés à une utilisation dans les établissements domestiques et dans les établissements directement connectés à un réseau d'alimentation électrique basse tension qui alimente des bâtiments utilisés à des fins domestiques.
- Cet appareil n'est pas destiné à être utilisé par des personnes (y compris des enfants) dont les capacités physiques, sensorielles ou mentales sont réduites, ou qui manquent d'expérience et de connaissances, à moins qu'elles n'aient pu bénéficier d'une surveillance ou d'instructions concernant l'utilisation de l'appareil de la part d'une personne responsable de leur sécurité.
- Les enfants doivent être surveillés pour s'assurer qu'ils ne jouent pas avec l'appareil.
- Le four à micro-ondes n'est utilisé qu'en pose libre.
- **AVERTISSEMENT !** -N'installez pas le four au-dessus d'une table de cuisson ou d'un autre appareil produisant de la chaleur. Si le four était installé, il pourrait être endommagé et la garantie serait annulée.



- Le four à micro-ondes ne doit pas être placé dans l'armoire.
- **AVERTISSEMENT !** --L'appareil et ses parties accessibles deviennent chauds pendant l'utilisation.
- **AVERTISSEMENT !** -Les pièces accessibles peuvent devenir chaudes pendant l'utilisation. Les jeunes enfants doivent être tenus à l'écart.
- En cours d'utilisation, les appareils deviennent chauds. Il faut veiller à ne pas toucher les éléments chauffants à l'intérieur du four, pour les cuisinières et les fours.
- La température des surfaces accessibles peut être élevée lorsque l'appareil fonctionne.
- L'appareil doit être placé contre un mur.
- L'appareil ne doit pas être utilisé par des enfants ou des personnes dont les capacités physiques, sensorielles ou mentales sont réduites, ou qui manquent d'expérience et de connaissances, à moins qu'ils n'aient bénéficié d'une surveillance ou d'instructions.
- **AVERTISSEMENT !** -Si la porte ou les joints de la porte sont endommagés, le four ne doit pas être utilisé avant d'avoir été réparé par une personne compétente.
- Les appareils ne sont pas destinés à être utilisés au moyen d'une minuterie externe ou d'un système de commande à distance séparé.
- Le four à micro-ondes est destiné à un usage domestique uniquement et non à un usage commercial.
- Ne retirez jamais le support de distance à l'arrière ou sur les côtés, car il garantit une distance minimale par rapport au mur pour la circulation de l'air.
- Veuillez fixer le plateau tournant avant de déplacer l'appareil afin d'éviter tout dommage.
- **AVERTISSEMENT !** -Il est dangereux de confier la réparation ou l'entretien de l'appareil à un spécialiste, car il faut alors retirer le couvercle qui assure la protection contre les micro-ondes. Cela vaut également pour le remplacement du cordon d'alimentation ou de l'éclairage. Dans ces cas, envoyez l'appareil à notre centre de service.
- Le four à micro-ondes est destiné uniquement à la décongélation, à la cuisson et à l'étuvage des aliments.
- Utilisez des gants si vous retirez des aliments chauffés.
- **AVERTISSEMENT !** De la vapeur s'échappe lors de l'ouverture des couvercles ou de l'emballage du papier d'aluminium.
- Cet appareil peut être utilisé par des enfants âgés de 8 ans et plus et par des personnes dont les capacités physiques, sensorielles ou mentales sont réduites ou qui manquent d'expérience et de connaissances, à condition qu'ils aient reçu une surveillance ou des instructions concernant l'utilisation de l'appareil en toute sécurité et qu'ils comprennent les risques encourus. Les enfants ne doivent pas jouer avec l'appareil. Le nettoyage et l'entretien ne doivent pas être effectués par des enfants, sauf s'ils sont âgés de 8 ans et plus et qu'ils sont supervisés.
- En cas de dégagement de fumée, éteignez ou débranchez l'appareil et maintenez la porte fermée afin d'étouffer toute flamme.

GUIDE D'INSTALLATION

- Veillez à ce que tous les matériaux d'emballage soient retirés de l'intérieur de la porte.
- **AVERTISSEMENT !** - Vérifiez que le four n'est pas endommagé : porte mal alignée ou déformée, joints de porte et surface d'étanchéité endommagés, charnières et loquets de porte cassés ou desserrés, bosses à l'intérieur de la cavité ou sur la porte. En cas de dommage, n'utilisez pas le four et contactez un technicien qualifié.
- Ce four à micro-ondes doit être placé sur une surface plane et stable pour supporter son poids et les aliments les plus lourds susceptibles d'être cuits dans le four.
- Ne placez pas le four dans un endroit où il y a de la chaleur, de l'humidité ou un taux d'humidité élevé, ou à proximité de matériaux combustibles.
- Pour fonctionner correctement, le four doit disposer d'une circulation d'air suffisante. Il faut prévoir au moins 20 cm d'espace libre au-dessus de la surface supérieure du four et 5 cm de chaque côté. La plaque arrière du four à micro-ondes doit être placée près du mur. Ne pas couvrir ou bloquer les ouvertures de l'appareil. Ne pas retirer les pieds.
- Ne faites pas fonctionner le four sans que le plateau en verre, le support du rouleau et l'arbre soient dans leur position correcte.
- Assurez-vous que le cordon d'alimentation n'est pas endommagé et qu'il ne passe pas sous le four ou sur une surface chaude ou tranchante.
- La prise doit être facilement accessible afin de pouvoir être débranchée en cas d'urgence.
- Ne pas utiliser le four à l'extérieur.

INSTRUCTIONS DE MISE A LA TERRE

- Cet appareil doit être mis à la terre. Ce four est équipé d'un cordon muni d'un fil de mise à la terre et d'une fiche de mise à la terre. Il doit être branché dans une prise murale correctement installée et mise à la terre. En cas de court-circuit électrique, la mise à la terre réduit le risque de choc électrique en fournissant un fil de fuite pour le courant électrique. Il est recommandé de prévoir un circuit séparé desservant uniquement le four. L'utilisation d'une haute tension est dangereuse et peut provoquer un incendie ou un autre accident endommageant le four.
- **AVERTISSEMENT !** - L'utilisation incorrecte de la fiche de mise à la terre peut entraîner un risque d'électrocution.



Note : Si vous avez des questions concernant la mise à la terre ou les instructions électriques, consultez un électricien ou un technicien qualifié.

Ni le fabricant ni le revendeur ne peuvent être tenus responsables des dommages causés au four ou des blessures corporelles résultant du non-respect des procédures de raccordement électrique.

Les fils de ce câble principal sont colorés conformément au code suivant :

Vert et jaune = TERRE

Bleu = NEUTRE

Marron = VIVRE

INTERFÉRENCES RADIO

Le fonctionnement du four à micro-ondes peut provoquer des interférences avec votre radio, votre télévision ou tout autre équipement similaire. En cas d'interférences, celles-ci peuvent être réduites ou éliminées en prenant les mesures suivantes :

1. Nettoyer la porte et la surface d'étanchéité du four.
2. Réorienter l'antenne de réception de la radio ou de la télévision.
3. Déplacer le four à micro-ondes par rapport au récepteur.
4. Éloignez le four à micro-ondes du récepteur.
5. Branchez le four à micro-ondes sur une autre prise de manière à ce que le four à micro-ondes et le récepteur soient sur des circuits de dérivation différents.

AVANT D'APPELER LE SERVICE APRÈS-VENTE

Avant de demander un service, veuillez vérifier chacun des points ci-dessous :

- Vérifiez que le four est bien branché. Si ce n'est pas le cas, débranchez la fiche de la prise de courant, attendez 10 secondes et rebranchez-la correctement.
- Vérifiez qu'il n'y a pas de fusible grillé ou de disjoncteur déclenché. Si ces derniers semblent fonctionner correctement, testez la prise avec un autre appareil.
- Vérifiez que le panneau de commande est programmé correctement et que la minuterie est réglée.
- Vérifiez que la porte est bien fermée, en enclenchant le système de verrouillage de la porte. Si la porte n'est pas correctement fermée, l'énergie des micro-ondes ne circulera pas à l'intérieur.

SI AUCUNE DES MESURES CI-DESSUS NE PERMET DE REMÉDIER À LA SITUATION, CONTACTEZ UN TECHNICIEN QUALIFIÉ. N'ESSAYEZ PAS DE RÉGLER OU DE RÉPARER LE FOUR VOUS-MÊME.

PRINCIPES DE LA CUISSON AU MICRO-ONDES

- 1.** Disposer les aliments avec soin. Placer les parties les plus épaisses vers l'extérieur du plat.
- 2.** Surveiller le temps de cuisson. Faites cuire pendant la durée la plus courte indiquée et prolongez la cuisson si nécessaire. Les aliments trop cuits peuvent fumer ou s'enflammer.
- 3.** Couvrez les aliments pendant la cuisson. Les couvercles empêchent les éclaboussures et aident les aliments à cuire uniformément.
- 4.** Retournez les aliments une fois pendant la cuisson au micro-ondes pour accélérer la cuisson d'aliments tels que le poulet et les hamburgers. Les gros aliments comme les rôtis doivent être retournés au moins une fois.
- 5.** À mi-cuisson, réorganisez les aliments tels que les boulettes de viande, à la fois de haut en bas et du centre vers l'extérieur du plat.

GUIDE DES USTENSILES

- 1.** Les micro-ondes ne peuvent pas pénétrer le métal. N'utilisez que des ustensiles adaptés aux fours à micro-ondes. Les récipients métalliques pour les aliments et les boissons ne sont pas autorisés pour la cuisson aux micro-ondes. Cette exigence ne s'applique pas si le fabricant spécifie la taille et la forme des récipients métalliques adaptés à la cuisson aux micro-ondes.
- 2.** Les micro-ondes ne peuvent pas pénétrer le métal. Il est donc déconseillé d'utiliser des ustensiles en métal ou des plats avec des garnitures métalliques.
- 3.** Ne pas utiliser de produits en papier recyclé pour la cuisson au micro-ondes, car ils peuvent contenir de petits fragments de métal susceptibles de provoquer des étincelles et/ou des incendies.
- 4.** Il est recommandé d'utiliser des plats ronds/ovales plutôt que des plats carrés/oblongs, car les aliments placés dans les coins ont tendance à trop cuire.
- 5.** Des bandes étroites de papier d'aluminium peuvent être utilisées pour éviter la surcuisson des parties exposées. Mais attention, n'en mettez pas trop et gardez une distance de 2,54 cm entre la feuille et la cavité.

La liste ci-dessous est un guide général pour vous aider à choisir les bons ustensiles.

Articles de cuisine	Micro-ondes	Gril	Combinaison
Verre résistant à la chaleur	Oui	Oui	Oui
Verre non résistant à la chaleur	Non	Non	Non
Céramiques résistantes à la chaleur	Oui	Oui	Oui
Plat en plastique résistant aux micro-ondes	Oui	Non	Non
Papier de cuisine	Oui	Non	Non
Plateau en métal	Non	Oui	Non
Support en métal	Non	Oui	Non
Papier d'aluminium et contenants en papier d'aluminium	Non	Oui	Non

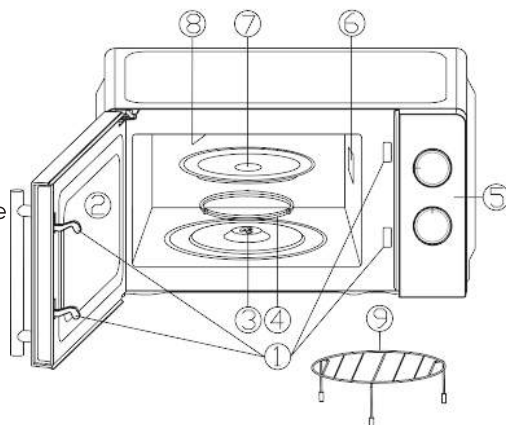
CARACTÉRISTIQUES TECHNIQUES

Consommation électrique :	230V/50Hz, 1100W (micro-ondes) ; 900W (gril)
Puissance nominale des micro-ondes :	700W
Fréquence de fonctionnement :	2450MHz
Dimensions extérieures :	243mm(H)×446mm(W)×369mm(D)
Dimensions de la cavité du four :	172mm(H)×300mm(W)×305mm(D)
Capacité du four :	Compact 20Litres
Poids net :	Environ 10,4 kg
Mode arrêt	<0,3W

REMARQUE : La période après laquelle l'équipement passe automatiquement en mode d'arrêt est de 0 minute.

NOMS DE PIÈCES

1. Système de verrouillage de sécurité des portes
2. Fenêtre du four
3. Arbre
4. Anneau à rouleaux
5. Panneau de contrôle
6. Guide d'ondes (Ne pas retirer la plaque de mica qui la recouvre le guide des ondes)
7. Plateau en verre
8. Chauffage du grill
9. Support en métal



PANNEAU DE CONTRÔLE

Le panneau de commande se compose de deux boutons de fonction. L'un est un bouton de temps, l'autre un bouton de puissance.

Sélecteur de puissance/action

Ce bouton permet de choisir un niveau de puissance de cuisson. C'est la première étape pour démarrer une session de cuisson.

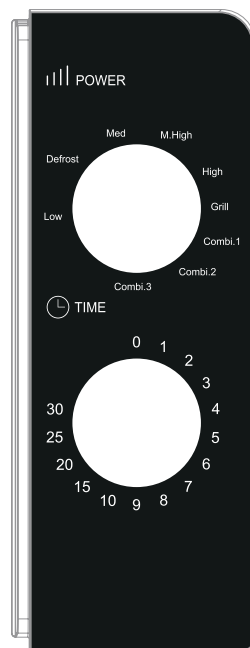
Bouton de minuterie

Les réglages visuels de la durée de cuisson sont accessibles d'un simple geste du pouce pour sélectionner le temps de cuisson souhaité, jusqu'à 30 minutes par session de cuisson.

Cuisson au micro-ondes

Pour la cuisson au micro-ondes pure, il existe cinq niveaux de puissance parmi lesquels vous pouvez choisir celui qui convient le mieux à la tâche à accomplir.

Le niveau de puissance augmente lorsque le bouton est tourné dans le sens des aiguilles d'une montre. Les niveaux de puissance peuvent être classés comme suit :





Puissance de sortie	Description
100%	HAUTE
81%	M.HAUTE
58%	MOYENNE
36%	DÉCONGELER
18%	BAS

Cuisson au grill

En tournant le bouton dans le sens des aiguilles d'une montre et en passant au niveau de puissance micro-ondes le plus élevé, le four passe à la fonction de cuisson au grill, particulièrement utile pour les fines tranches de viande, les steaks, les côtelettes, les brochettes, les saucisses ou les morceaux de poulet. Elle convient également à la cuisson de sandwiches chauds et de plats gratinés.

Cuisson combinée

D'après son nom, cette opération de cuisson combine la puissance des micro-ondes avec celle de la cuisson au grill. L'opération est classée en trois niveaux avec différentes combinaisons de puissance, comme vous pouvez le voir dans le tableau suivant. Ces niveaux sont particulièrement adaptés à certains aliments et à certaines opérations culinaires. Ils permettent également de conserver le croustillant tant désiré de certains aliments.

Le tableau suivant présente 3 réglages de puissance différents pour les programmes combinés.

Programme	Temps de cuisson au micro-ondes	Temps de cuisson du grill	Convient pour
Combi.1	30%	70%	Poisson, pommes de terre, céréales
Combi.2	49%	51%	Pudding, omelettes, pommes de terre au four
Combi.3	67%	33%	Volaille



INSTRUCTIONS D'UTILISATION

Pour démarrer une session de cuisson :

1. Placez les aliments dans le four et fermez la porte.
2. Tournez le sélecteur de puissance pour sélectionner un niveau de puissance.
3. Tournez le bouton de la minuterie pour régler le temps de cuisson.

REMARQUE : Dès que la minuterie est tournée, le four commence à cuire. Lorsque vous sélectionnez une durée inférieure à 2 minutes, tournez la minuterie au-delà de 2 minutes, puis revenez à la durée correcte.

REMARQUE : Dès que la minuterie est activée, le four commence à cuire. Lors de la sélection d'une durée inférieure à 2 minutes, tourner la minuterie au-delà de 2 minutes, puis revenir à la durée correcte.

ATTENTION : TOUJOURS REMETTRE LA MINUTERIE A LA POSITION ZERO si les aliments sont retirés du four avant la fin du temps de cuisson programmé ou lorsque le four n'est pas utilisé. Pour arrêter le four pendant la cuisson, appuyez sur le bouton d'ouverture de la porte ou ouvrez la porte par la poignée.

NETTOYAGE ET ENTRETIEN

1. Avant de procéder au nettoyage, éteignez le four et débranchez la fiche d'alimentation de la prise murale.
2. Maintenez l'intérieur du four propre. Lorsque des éclaboussures d'aliments ou des liquides renversés adhèrent aux parois du four, essuyez-les avec un chiffon humide. Un détergent doux peut être utilisé si le four est très sale. Évitez d'utiliser des sprays ou d'autres nettoyants agressifs, car ils risquent de tacher, de laisser des traces ou de ternir la surface de la porte.
3. Les surfaces extérieures doivent être nettoyées avec un chiffon humide. Pour éviter d'endommager les pièces en fonctionnement à l'intérieur du four, l'eau ne doit pas s'in-



filtrer dans les orifices de ventilation.

4. Essayez fréquemment la porte et la fenêtre des deux côtés, les joints de la porte et les parties adjacentes avec un chiffon humide pour éliminer toute trace ou éclaboussure. Ne pas utiliser de nettoyeur abrasif.

5. Il est interdit d'utiliser un nettoyeur à vapeur.

6. Ne laissez pas le panneau de commande se mouiller. Nettoyez-le avec un chiffon doux et humide. Lorsque vous nettoyez le panneau de commande, laissez la porte du four ouverte pour éviter que le four ne se mette accidentellement en marche.

7. Si de la vapeur s'accumule à l'intérieur ou autour de la porte du four, essuyez-la avec un chiffon doux. Ce phénomène peut se produire lorsque le four à micro-ondes est utilisé dans des conditions d'humidité élevée. C'est normal.

8. Il est parfois nécessaire de retirer le plateau en verre pour le nettoyer. Lavez le plateau à l'eau tiède ou au lave-vaisselle.

9. L'anneau de roulement et la sole du four doivent être nettoyés régulièrement pour éviter un bruit excessif. Il suffit d'essuyer la surface inférieure du four avec un détergent doux. L'anneau de roulement peut être lavé à l'eau douce ou au lave-vaisselle. Lorsque vous retirez l'anneau à rouleaux de la sole du four pour le nettoyer, veillez à le replacer dans la bonne position.

10. Pour éliminer les odeurs de votre four, mélangez une tasse d'eau avec le jus et la peau d'un citron dans un bol profond allant au micro-ondes, puis passez-le au micro-ondes pendant 5 minutes. Essayez soigneusement et séchez avec un chiffon doux.

11. Lorsqu'il est nécessaire de remplacer l'éclairage du four, veuillez consulter un revendeur pour le faire remplacer.

12. Le four doit être nettoyé régulièrement et tout dépôt de nourriture doit être enlevé. Si le four n'est pas maintenu en bon état de propreté, sa surface risque de se détériorer, ce qui pourrait nuire à la durée de vie de l'appareil et entraîner des risques.

13. Cet appareil ne doit pas être jeté dans la poubelle domestique ; il doit être déposé dans le centre d'élimination prévu à cet effet par les municipalités.

14. Lors de sa première utilisation, le four à micro-ondes avec fonction grill peut dégager une légère fumée et une odeur. Il s'agit d'un phénomène normal car le four est constitué d'une plaque d'acier recouverte d'huile lubrifiante, et le nouveau four produira des fumées et des odeurs générées par la combustion de l'huile lubrifiante. Ce phénomène disparaît après une certaine période d'utilisation.



GRELHA DE ESPELHO INFINITYHEAT

ORIMICG20FSMIRN



LEIA ATENTAMENTE ESTAS INSTRUÇÕES ANTES DE INSTALAR E UTILIZAR A CÂMARA DE COZIMENTO.



PRECAUÇÕES PARA EVITAR UMA POSSÍVEL EXPOSIÇÃO

ENERGIA DE MICROONDAS EXCESSIVA

1. Não tente operar este forno com a porta aberta, uma vez que a operação com a porta aberta pode resultar em exposição prejudicial à energia de micro-ondas. É importante não desativar ou manipular os bloqueios de segurança.
2. Não colocar nenhum objeto entre a face frontal do forno e a porta, nem permitir a acumulação de sujidade ou de resíduos de produtos de limpeza nas superfícies de vedação.
3. Não utilizar a câmara de cozimento se esta estiver danificada. É muito importante que a porta do forno feche corretamente e que não haja danos na
 - Porta (incluindo eventuais dobras),
 - Dobradiças e fechos (partidos ou soltos),
 - Vedantes da porta e superfícies de vedação.
4. O forno não deve ser ajustado ou reparado por ninguém, exceto por pessoal qualificado.

INSTRUÇÕES DE SEGURANÇA IMPORTANTES

- Ao utilizar um aparelho elétrico, devem ser respeitadas as precauções básicas de segurança, incluindo as seguintes:
- **AVISO!** - Para reduzir o risco de queimaduras, choque elétrico, incêndio, ferimentos em pessoas ou exposição a energia de micro-ondas excessiva:
- Utilizar este aparelho apenas para o fim a que se destina, tal como descrito no manual. Não utilizar produtos químicos corrosivos ou vapores neste aparelho. Este tipo de forno foi concebido especificamente para aquecer, cozinhar ou secar alimentos. Não foi concebido para utilização industrial ou laboratorial.
- Não utilizar a câmara de cozimento quando estiver vazia.
- Não utilize este aparelho se tiver um cabo ou uma ficha danificados, se não estiver a funcionar corretamente, se tiver sido danificado ou se tiver caído. Se o cabo de alimentação estiver danificado, deve ser substituído pelo fabricante ou pelo seu agente de assistência técnica ou por uma pessoa com qualificações semelhantes, de modo a evitar riscos.
- **AVISO!** - Só permitir que as crianças utilizem o forno sem supervisão quando tiverem sido dadas instruções adequadas para que a criança seja capaz de utilizar o forno de forma segura e compreenda os perigos de uma utilização incorrecta.
- Para reduzir o risco de incêndio na cavidade da câmara de cozimento:
- Quando aquecer alimentos em recipientes de plástico ou de papel, mantenha-se atento ao forno devido à possibilidade de ignição.

- Retirar as fitas de arame dos sacos de papel ou de plástico antes de os colocar no forno.
- Se se observar fumo, desligar ou retirar a ficha da tomada e manter a porta fechada para abafar as chamas.
- Não utilizar a cavidade para fins de armazenamento. Não deixar produtos de papel, utensílios de cozinha ou alimentos na cavidade quando não estiverem a ser utilizados.
- O forno micro-ondas destina-se a aquecer alimentos e bebidas. A secagem de alimentos ou de vestuário e o aquecimento de almofadas de aquecimento, chinelos, esponjas, panos húmidos e similares pode provocar o risco de ferimentos, ignição ou incêndio.
- **AVISO!** –Os líquidos ou outros alimentos não devem ser aquecidos em recipientes fechados, pois podem explodir.
- O aquecimento de bebidas no micro-ondas pode resultar numa ebulição eruptiva retardada, pelo que é necessário ter cuidado ao manusear o recipiente.
- Não fritar alimentos no forno. O óleo quente pode danificar as peças e os utensílios do forno e até provocar queimaduras na pele.
- Os ovos com casca e os ovos cozidos inteiros não devem ser aquecidos em fornos micro-ondas, uma vez que podem explodir mesmo depois de terminado o aquecimento no micro-ondas.
- Perfure os alimentos com peles pesadas, como as batatas, as abóboras inteiras, as maçãs e as castanhas antes de os cozinhar.
- O conteúdo dos biberões e dos frascos de comida para bebé deve ser mexido ou agitado e a temperatura deve ser verificada antes de servir, a fim de evitar queimaduras.
- Os utensílios de cozinha podem ficar quentes devido ao calor transferido pelos alimentos aquecidos. Poderão ser necessárias pegas para manusear os utensílios.
- Os utensílios devem ser verificados para garantir que são adequados para utilização no forno micro-ondas.
- **AVISO!** –É perigoso para qualquer pessoa que não seja uma pessoa treinada efetuar qualquer operação de serviço ou reparação que envolva a remoção de qualquer cobertura que dê proteção contra a exposição a energia de micro-ondas.
- Este produto é um equipamento ISM da Classe B do Grupo 2. A definição do Grupo 2 contém todos os equipamentos ISM (industriais, científicos e médicos) em que a energia de radiofrequência é intencionalmente gerada e/ou utilizada sob a forma de radiação electromagnética para o tratamento de materiais e equipamentos de erosão por faísca. Os equipamentos da classe B são equipamentos adequados para utilização em estabelecimentos domésticos e em estabelecimentos diretamente ligados a uma rede de alimentação eléctrica de baixa tensão que alimenta edifícios utilizados para fins domésticos.
- Este aparelho não se destina a ser utilizado por pessoas (incluindo crianças) com capacidades físicas, sensoriais ou mentais reduzidas, ou com falta de experiência e conhecimentos, exceto se tiverem recebido supervisão ou instruções relativas à utilização do aparelho por uma pessoa responsável pela sua segurança.
- As crianças devem ser vigiadas para garantir que não brincam com o aparelho.
- O forno micro-ondas só é utilizado em aparelhos independentes.



- **AVISO!** –Não instalar o forno sobre uma placa de fogão ou outro aparelho que produza calor. Se for instalado, pode ficar danificado e a garantia será anulada.
- O forno micro-ondas não deve ser colocado no armário.
- **AVISO!**–O aparelho e as suas partes acessíveis aquecem durante a utilização.
- **AVISO!** –As peças acessíveis podem ficar quentes durante a utilização. As crianças pequenas devem ser mantidas afastadas.
 - Durante a utilização, o aparelho aquece. Deve ter-se o cuidado de evitar tocar nos elementos de aquecimento no interior do forno, para cozinhar à distância e nos fornos.
 - A temperatura das superfícies acessíveis pode ser elevada quando o aparelho está a funcionar.
 - O aparelho deve ser colocado contra uma parede.
 - O aparelho não deve ser utilizado por crianças ou pessoas com capacidades físicas, sensoriais ou mentais reduzidas, ou com falta de experiência e conhecimentos, exceto se tiverem recebido supervisão ou instruções.
- **AVISO!** –Se a porta ou os vedantes da porta estiverem danificados, a câmara de cozimento não deve ser utilizada até ser reparada por uma pessoa competente.
 - Os aparelhos não se destinam a ser acionados por meio de um temporizador externo ou de um sistema de controlo remoto separado.
 - O forno micro-ondas destina-se exclusivamente a uso doméstico e não a uso comercial.
 - Nunca retire o suporte de distância na parte de trás ou nos lados, pois este garante uma distância mínima da parede para a circulação do ar.
 - Fixe o prato giratório antes de deslocar o aparelho para evitar danos.
- **AVISO!** –É perigoso que a reparação ou manutenção do aparelho seja efectuada por um técnico especializado, uma vez que, nestas circunstâncias, é necessário retirar a cobertura que garante a protecção contra a radiação de micro-ondas. Isto aplica-se também à substituição do cabo de alimentação ou da iluminação. Nestes casos, envie o aparelho para o nosso centro de assistência técnica.
 - O forno micro-ondas destina-se apenas a descongelar, cozinhar e estufar alimentos.
 - Utilize luvas se retirar alimentos aquecidos.
 - Atenção! O vapor libertar-se-á ao abrir as tampas ou ao embrulhar o papel de alumínio.
 - Este aparelho pode ser utilizado por crianças a partir dos 8 anos de idade e por pessoas com capacidades físicas, sensoriais ou mentais reduzidas ou com falta de experiência e conhecimentos, desde que tenham recebido supervisão ou instruções sobre a utilização do aparelho de forma segura e compreendam os perigos envolvidos. As crianças não devem brincar com o aparelho. A limpeza e a manutenção pelo utilizador não devem ser efectuadas por crianças, a menos que estas tenham idade igual ou superior a 8 anos e sejam supervisionadas.
 - Em caso de emissão de fumo, desligar o aparelho ou retirar a ficha da tomada e manter a porta fechada para abafar as chamas.

- Certifique-se de que todos os materiais de embalagem são retirados do interior da porta.
- **AVISO!** - Verifique se o forno apresenta danos, tais como porta desalinhada ou dobrada, vedantes da porta e superfície de vedação danificados, dobradiças e trincos da porta partidos ou soltos e amolgadelas no interior da cavidade ou na porta. Se existirem danos, não utilize o forno e contacte o pessoal de assistência técnica qualificado.
- Este forno micro-ondas deve ser colocado numa superfície plana e estável para suportar o seu peso e os alimentos mais pesados susceptíveis de serem cozinhados no forno.
- Não coloque a câmara de cozimento em locais onde haja geração de calor, humidade ou humidade elevada, ou perto de materiais combustíveis.
- Para um funcionamento correto, a câmara de cozimento deve ter um fluxo de ar suficiente. Deixar um espaço livre mínimo necessário de 20 cm acima da superfície superior do forno e 5 cm em ambos os lados. A placa posterior do forno micro-ondas deve ser colocada junto à parede. Não cubra ou bloqueie quaisquer aberturas no aparelho. Não retirar os pés.
- Não utilizar a câmara de cozimento sem que o tabuleiro de vidro, o suporte do rolo e o eixo estejam nas suas posições corretas.
- Certifique-se de que o cabo de alimentação não está danificado e não passa por baixo da câmara de cozimento ou por cima de qualquer superfície quente ou afiada.
- A tomada deve ser facilmente acessível, de modo a poder ser facilmente desligada em caso de emergência.
- Não utilizar o forno no exterior.

INSTRUÇÕES DE LIGAÇÃO À TERRA

- Este aparelho deve ser ligado à terra. Este forno está equipado com um cabo com um fio de ligação à terra e uma ficha de ligação à terra. Deve ser ligado a uma tomada de parede corretamente instalada e ligada à terra. No caso de um curto-circuito elétrico, a ligação à terra reduz o risco de choque elétrico, fornecendo um fio de fuga para a corrente eléctrica. Recomenda-se a instalação de um circuito separado que sirva apenas o forno. A utilização de alta tensão é perigosa e pode provocar um incêndio ou outro acidente que danifique o forno.
- **AVISO!** - A utilização incorrecta da ficha de ligação à terra pode resultar em risco de choque elétrico.



Nota: Se tiver alguma dúvida sobre as instruções de ligação à terra ou eléctricas, consulte um electricista ou técnico qualificado.

Nem o fabricante nem o revendedor podem aceitar qualquer responsabilidade por danos no forno ou ferimentos pessoais resultantes do não cumprimento dos procedimentos de ligação eléctrica.

Os fios deste cabo principal são coloridos de acordo com o seguinte código:

Verde e amarelo = TERRA

Azul = NEUTRO

Castanho = VIVO

INTERFERÊNCIAS RADIOELÉCTRICAS

O funcionamento do forno micro-ondas pode causar interferências no seu rádio, TV ou equipamento semelhante. Quando existem interferências, estas podem ser reduzidas ou eliminadas através da adoção das seguintes medidas:

1. Limpar a porta e a superfície de vedação da câmara de cozimento.
2. Reorientar a antena de receção do rádio ou da televisão.
3. Deslocar o forno de micro-ondas em relação ao recetor.
4. Afastar o forno micro-ondas do recetor.
5. Ligue o forno micro-ondas a uma tomada diferente, de modo a que o forno micro-ondas e o recetor estejam em circuitos diferentes.

ANTES DE CONTACTAR O SERVIÇO DE ASSISTÊNCIA

Antes de solicitar um serviço, verifique cada um dos itens abaixo:

- Verificar se o forno está bem ligado à corrente eléctrica. Se não estiver, retire a ficha da tomada, aguarde 10 segundos e volte a ligá-la de forma segura.
- Verifique se há um fusível queimado ou um disjuntor principal desarmado. Se estes parecerem estar a funcionar corretamente, teste a tomada com outro aparelho.
- Verifique se o painel de controlo está programado corretamente e se o temporizador está definido.
- Verifique se a porta está bem fechada, accionando o sistema de bloqueio da porta.

Se a porta não estiver corretamente fechada, a energia do micro-ondas não fluirá para o interior.

SE NENHUMA DAS SOLUÇÕES ANTERIORES RESOLVER A SITUAÇÃO, CONTACTAR UM TÉCNICO QUALIFICADO. NÃO TENHA AJUSTAR OU REPARAR O FORNO POR SI PRÓPRIO.

PRINCÍPIOS DE COZEDURA NO MICROONDAS

- 1.** Disponha os alimentos cuidadosamente. Coloque as áreas mais espessas na parte exterior do prato.
- 2.** Atenção ao tempo de cozedura. Cozinhe durante o período de tempo mais curto indicado e adicione mais se necessário. Os alimentos muito cozinhados podem deitar fumo ou incendiar-se.
- 3.** Cubra os alimentos enquanto cozinha. As coberturas evitam salpicos e ajudam os alimentos a cozinhar uniformemente.
- 4.** Vire os alimentos uma vez durante a cozedura no micro-ondas para acelerar a cozedura de alimentos como frango e hambúrgueres. Os alimentos grandes, como os assados, devem ser virados pelo menos uma vez.
- 5.** Reorganize os alimentos, como as almôndegas, a meio da cozedura, tanto de cima para baixo como do centro do prato para o exterior.

GUIA DE UTENSÍLIOS

- 1.** As micro-ondas não penetram no metal. Utilize apenas utensílios adequados para utilização em fornos micro-ondas. Não são permitidos recipientes metálicos para alimentos e bebidas durante a cozedura no micro-ondas. Este requisito não é aplicável se o fabricante especificar o tamanho e a forma dos recipientes metálicos adequados para a cozedura no micro-ondas.
- 2.** O micro-ondas não consegue penetrar no metal, pelo que não devem ser utilizados utensílios de metal ou pratos com guarnições metálicas.
- 3.** Não utilize produtos de papel reciclado para cozinhar no micro-ondas, pois podem conter pequenos fragmentos de metal que podem provocar faíscas e/ou incêndios.
- 4.** Recomenda-se a utilização de pratos redondos/ovais em vez de quadrados/oblongos, uma vez que os alimentos nos cantos tendem a cozer demasiado.
- 5.** Podem ser utilizadas tiras estreitas de folha de alumínio para evitar que as áreas expostas fiquem demasiado cozinhadas. Mas tenha cuidado para não usar demasiado e mantenha uma distância de 2,54 cm entre a folha de alumínio e a cavidade.

A lista que se segue é um guia geral para o ajudar a selecionar os utensílios corretos.



Utensílios de cozinha	Micro-ondas	Grelha	Combinação
Vidro resistente ao calor	Sim	Sim	Sim
Vidro não resistente ao calor	Não	Não	Não
Cerâmica resistente ao calor	Sim	Sim	Sim
Prato de plástico seguro para micro-ondas	Sim	Não	Não
Papel de cozinha	Sim	Não	Não
Tabuleiro metálico	Não	Sim	Não
Estante metálica	Não	Sim	Não
Folha de alumínio e recipientes de folha de alumínio	Não	Sim	Não

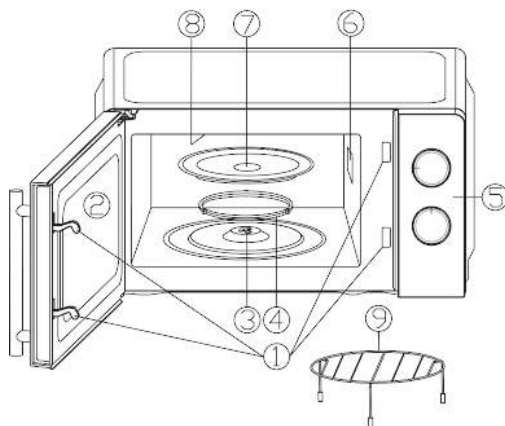
ESPECIFICAÇÕES

Consumo de energia:	230V/50Hz, 1100W(Micro-ondas); 900W(Grelhador)
Potência nominal de saída de micro-ondas:	700W
Frequência de funcionamento:	2450MHz
Dimensões exteriores:	243mm(H)×446mm(W)×369mm(D)
Dimensões da cavidade do forno:	172mm(H)×300mm(W)×305mm(D)
Capacidade do forno:	Compacto 20Litros
Peso líquido:	Aprox. 10,4 kg
Modo desligado	<0,3W

NOTA: O período após o qual o equipamento atinge o modo de desativação automática é de 0 minutos.

NOMES DE PEÇAS

1. Sistema de bloqueio de segurança da porta
2. Janela do forno
3. Eixo
4. Anel de rolos
5. Painel de controlo
6. Guia de Ondas (Por favor, não retirar a cobertura da placa de mica o guia de ondas)
7. Tabuleiro de vidro
8. Aquecedor para grelhadores
9. Estante metálica



PAINEL DE CONTROLO

O painel de controlo é composto por dois botões de função. Um é um botão de tempo e o outro é um botão de potência.

Seletor de potência/ação

Este manípulo de comando permite-lhe escolher um nível de potência de cozedura. É o primeiro passo para iniciar uma sessão de cozedura.

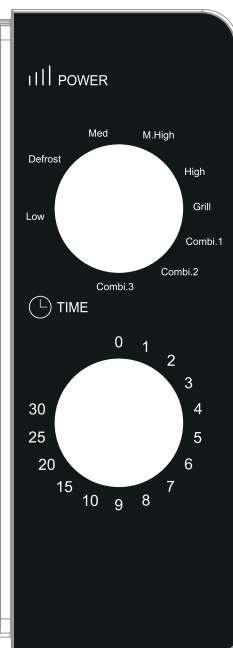
Botão do temporizador

Oferece definições visuais de temporização com um simples toque do polegar para selecionar o tempo de cozedura desejado até 30 minutos por sessão de cozedura.

Cozinhar no micro-ondas

Para cozinhar exclusivamente no micro-ondas, existem cinco níveis de potência a partir dos quais pode escolher o que melhor se adequa à tarefa em causa.

O nível de potência aumenta com a rotação do botão no sentido dos ponteiros do relógio. Os níveis de potência podem ser classificados da seguinte forma:





Potência de saída	Descrição
100%	ALTO
81%	M.ALTO
58%	MÉDIA
36%	DESCONGELAR
18%	BAIXO

Cozinhar na grelha

Com o botão a rodar no sentido dos ponteiros do relógio, passando para o nível mais elevado de potência de micro-ondas, o forno passa para a função de cozedura no grelhador, que é particularmente útil para fatias finas de carne, bifes, costeletas, espetadas, salsichas ou pedaços de frango. Também é adequado para cozinhar sandes quentes e pratos gratinados.

Cozinha combinada

Pelo seu nome, esta operação de cozedura combina a potência do micro-ondas com a do grelhador. A operação está dividida em três níveis com diferentes combinações de potência, como se pode ver na tabela seguinte. Estas são particularmente adequadas para determinados alimentos e operações culinárias. Assim como para manter a tão desejada crocância de certos alimentos.

A tabela seguinte mostra 3 definições de potência diferentes para programas combinados.

Programa	Tempo de cozedura no micro-ondas	Tempo de cozedura do grelhador	Adequado para
Pente.1	30%	70%	Peixe, batatas, grão de bico
Pente.2	49%	51%	Pudim, omeletas, batatas cozidas
Pente.3	67%	33%	Aves de capoeira

INSTRUÇÕES DE FUNCIONAMENTO

Para iniciar uma sessão de cozedura:

1. Colocar os alimentos no forno e fechar a porta.
2. Rode o seletor de potência para selecionar um nível de potência.
3. Rode o botão do temporizador para definir o tempo de cozedura.

NOTA: Assim que o temporizador é rodado, o forno começa a cozinhar. Quando selecionar um tempo inferior a 2 minutos, rode o temporizador para além dos 2 minutos e depois volte ao tempo correto.

NOTA: Assim que o temporizador é rodado, o forno começa a cozinhar. Quando selecionar o tempo para menos de 2 minutos, rode o temporizador para além dos 2 minutos e depois volte ao tempo correto.

CUIDADO: RETORNAR SEMPRE O TEMPORIZADOR À POSIÇÃO ZERO se os alimentos forem retirados do forno antes de o tempo de cozedura definido estar concluído ou se o forno não estiver a ser utilizado. Para parar o forno durante o processo de cozedura, prima o botão de desbloqueio da porta ou abra a porta pelo puxador.

LIMPEZA E CONSERVAÇÃO

1. Desligar a câmara de cozimento e retirar a ficha de alimentação da tomada de parede antes de proceder à limpeza.
2. Manter o interior da câmara de cozimento limpo. Se os salpicos de alimentos ou líquidos derramados aderirem às paredes da câmara de cozimento, limpe com um pano húmido. Pode ser utilizado um detergente suave se a câmara de cozimento ficar muito suja. Evite a utilização de sprays e outros produtos de limpeza agressivos, uma vez que podem manchar, riscar ou embotar a superfície da porta.
3. As superfícies exteriores devem ser limpas com um pano húmido. Para evitar danos nas peças de funcionamento no interior da câmara de cozimento, não se deve permi-



tir a entrada de água nas aberturas de ventilação.

4. Limpe frequentemente a porta e a janela de ambos os lados, as vedações da porta e as peças adjacentes com um pano húmido para remover quaisquer derrames ou salpicos. Não utilizar produtos de limpeza abrasivos.

5. Não deve ser utilizada uma máquina de limpeza a vapor.

6. Não deixar que o painel de controlo fique molhado. Limpar com um pano macio e húmido. Quando limpar o painel de controlo, deixe a porta do forno aberta para evitar que o forno se ligue acidentalmente.

7. Se o vapor se acumular no interior ou à volta do exterior da porta do forno, limpe com um pano macio. Isto pode ocorrer quando o forno micro-ondas é utilizado em condições de humidade elevada. E é normal.

8. Ocasionalmente, é necessário retirar o tabuleiro de vidro para o limpar. Lavar o tabuleiro em água morna com sabão ou na máquina de lavar louça.

9. O anel de rolos e o chão da câmara de cozimento devem ser limpos regularmente para evitar ruídos excessivos. Basta limpar a superfície inferior da câmara de cozimento com um detergente suave. O anel do rolo pode ser lavado em água com sabão suave ou na máquina de lavar loiça. Quando retirar o anel do rolo do chão da cavidade para limpeza, certifique-se de que o coloca na posição correta.

10. Remova os odores do seu forno combinando uma chávena de água com o sumo e a casca de um limão numa tigela funda que possa ir ao micro-ondas, e coloque-a no micro-ondas durante 5 minutos. Limpe bem e seque com um pano macio.

11. Quando for necessário substituir a luz do forno, consulte um revendedor para a mandar substituir.

12. A câmara de cozimento deve ser limpa regularmente e os depósitos de alimentos devem ser removidos. Se a câmara de cozimento não for mantida limpa, a sua superfície pode deteriorar-se, o que pode afetar negativamente a vida útil do aparelho e, eventualmente, provocar riscos.

13. Por favor, não deite este aparelho no caixote do lixo doméstico; deve ser deitado no centro de eliminação específico disponibilizado pelos municípios.

14. Quando o forno micro-ondas com função de grelhador é utilizado pela primeira vez, pode produzir um ligeiro fumo e cheiro. Trata-se de um fenómeno normal porque o forno é feito de uma placa de aço revestida com óleo lubrificante e o forno novo produzirá fumos e odores gerados pela queima do óleo lubrificante. Este fenómeno desaparecerá após um período de utilização.

INFINITYHEAT SPIEGELGRILL

ORIMICG20FSMIRN



BITTE LESEN SIE DIESE ANLEITUNG SORGFÄLTIG DURCH, BEVOR SIE DEN BACKOFEN EINBAUEN UND IN BETRIEB NEHMEN.

ÜBERMÄSSIGE MIKROWELLENENERGIE

1. Versuchen Sie nicht, den Backofen bei geöffneter Tür zu betreiben, da der Betrieb bei offener Tür zu einer schädlichen Einwirkung von Mikrowellenenergie führen kann. Es ist wichtig, dass Sie die Sicherheitsverriegelungen nicht umgehen oder manipulieren.
2. Legen Sie keine Gegenstände zwischen Backofenfront und Tür und achten Sie darauf, dass sich keine Schmutz- oder Reinigungsmittelreste auf den Dichtungsflächen ansammeln.
3. Nehmen Sie den Backofen nicht in Betrieb, wenn er beschädigt ist. Es ist sehr wichtig, dass die Backofentür richtig schließt und dass keine Schäden an der Tür vorhanden sind
 - Tür (einschließlich etwaiger Verformungen),
 - Scharniere und Verschlüsse (gebrochen oder gelockert),
 - Türdichtungen und Dichtungsflächen.
4. Der Backofen darf nur von qualifiziertem Servicepersonal eingestellt oder repariert werden.

WICHTIGER SICHERHEITSHINWEIS

- Bei der Verwendung elektrischer Geräte sollten grundlegende Sicherheitsvorkehrungen beachtet werden, einschließlich der folgenden:
 - **WARNUNG!** - Um das Risiko von Verbrennungen, elektrischen Schlägen, Bränden, Verletzungen von Personen oder übermäßiger Mikrowellenenergie zu verringern:
 - Verwenden Sie dieses Gerät nur für den in der Bedienungsanleitung beschriebenen Zweck. Verwenden Sie keine ätzenden Chemikalien oder Dämpfe in diesem Gerät. Dieser Backofen ist speziell für das Erhitzen, Garen oder Trocknen von Lebensmitteln konzipiert. Er ist nicht für den Einsatz in der Industrie oder im Labor bestimmt.
 - Nehmen Sie den Backofen nicht im leeren Zustand in Betrieb.
 - Nehmen Sie das Gerät nicht in Betrieb, wenn das Netzkabel oder der Netzstecker beschädigt ist, wenn es nicht richtig funktioniert oder wenn es beschädigt wurde oder heruntergefallen ist. Wenn das Netzkabel beschädigt ist, muss es vom Hersteller oder seinem Kundendienst oder einer ähnlich qualifizierten Person ausgetauscht werden, um eine Gefährdung zu vermeiden.
 - **WARNUNG!** - Erlauben Sie Kindern nur dann, den Backofen unbeaufsichtigt zu benutzen, wenn sie ausreichende Anweisungen erhalten haben, so dass das Kind in der Lage ist, den Backofen auf sichere Weise zu benutzen und die Gefahren einer unsachgemäßen Benutzung versteht.
- Um die Brandgefahr im Backraum zu verringern:
 - Wenn Sie Lebensmittel in Plastik- oder Papierbehältern erhitzen, sollten Sie den Ofen im Auge behalten, da er sich entzünden kann.

- Entfernen Sie die Drahtbändchen von den Papier- oder Plastiktüten, bevor Sie die Tüte in den Ofen schieben.
- Wenn Sie Rauch bemerken, schalten Sie das Gerät aus oder ziehen Sie den Netzstecker und halten Sie die Tür geschlossen, um eventuelle Flammen zu ersticken.
- Verwenden Sie den Hohlraum nicht zu Aufbewahrungszwecken. Lassen Sie keine Papierprodukte, Kochutensilien oder Lebensmittel im Hohlraum, wenn Sie ihn nicht benutzen.
- Der Mikrowellenherd ist für das Erwärmen von Speisen und Getränken bestimmt. Das Trocknen von Lebensmitteln oder Kleidung und das Erwärmen von Heizkissen, Hausschuhen, Schwämmen, feuchten Tüchern und Ähnlichem kann zu Verletzungs-, Entzündungs- oder Brandgefahr führen.
- **WARNUNG!** –Flüssigkeiten oder andere Lebensmittel dürfen nicht in verschlossenen Behältern erhitzt werden, da sie explodieren können.
- Das Erhitzen von Getränken in der Mikrowelle kann zu einem verzögerten Eruptionsieden führen, daher ist bei der Handhabung des Behälters Vorsicht geboten.
- Frittieren Sie keine Speisen im Backofen. Heißes Öl kann Backofenteile und -utensilien beschädigen und sogar zu Hautverbrennungen führen.
- Eier in der Schale und ganze hartgekochte Eier sollten nicht in der Mikrowelle erhitzt werden, da sie auch nach dem Erhitzen in der Mikrowelle explodieren können.
- Lebensmittel mit dicker Schale wie Kartoffeln, ganze Kürbisse, Äpfel und Kastanien vor dem Kochen anstechen.
- Der Inhalt von Fläschchen und Gläschen mit Babynahrung sollte vor dem Servieren umgerührt oder geschüttelt und die Temperatur überprüft werden, um Verbrennungen zu vermeiden.
- Kochutensilien können durch die von den erhitzten Speisen übertragene Wärme heiß werden. Möglicherweise sind Topflappen erforderlich, um das Kochgeschirr zu handhaben.
- Geschirr sollte daraufhin überprüft werden, ob es für die Verwendung im Mikrowellenherd geeignet ist.
- **WARNUNG!** –Es ist gefährlich, wenn andere als geschulte Personen Wartungs- oder Reparaturarbeiten durchführen, bei denen Abdeckungen zum Schutz vor Mikrowellenenergie entfernt werden müssen.
- Dieses Produkt ist ein ISM-Gerät der Gruppe 2 Klasse B. Die Definition der Gruppe 2 umfasst alle ISM-Geräte (industrielle, wissenschaftliche und medizinische Geräte), in denen Hochfrequenzenergie absichtlich erzeugt und/oder in Form von elektromagnetischer Strahlung zur Behandlung von Materialien verwendet wird, sowie Funkenergiegeräte. Bei Geräten der Klasse B handelt es sich um Geräte, die zur Verwendung in Wohngebäuden und in Einrichtungen geeignet sind, die direkt an ein Niederspannungsnetz angeschlossen sind, das Gebäude versorgt, die für Wohnzwecke genutzt werden.
- Dieses Gerät ist nicht dafür bestimmt, durch Personen (einschließlich Kinder) mit eingeschränkten physischen, sensorischen oder geistigen Fähigkeiten oder mangels Erfahrung und mangels Wissen benutzt zu werden, es sei denn, sie werden durch eine für ihre Sicherheit zuständige Person beaufsichtigt oder erhielten von ihr Anweisungen, wie das Gerät zu benutzen ist.
- Kinder sollten beaufsichtigt werden, um sicherzustellen, dass sie nicht mit dem Gerät spielen.
- Der Mikrowellenherd wird nur in freistehenden Geräten verwendet.
- **WARNUNG!** –Installieren Sie den Backofen nicht über einer Herdplatte oder einem

anderen wärmeerzeugenden Gerät. Wenn er installiert wird, kann er beschädigt werden und die Garantie erlischt.

- Der Mikrowellenherd darf nicht in den Schrank gestellt werden.
- **WARNUNG!** Das Gerät und seine zugänglichen Teile werden während des Gebrauchs heiß.
- **WARNUNG!** –Zugängliche Teile können während des Gebrauchs heiß werden. Kleine Kinder sollten ferngehalten werden.
- Während des Gebrauchs werden die Geräte heiß. Achten Sie darauf, dass Sie die Heizelemente im Inneren des Backofens nicht berühren, da diese für das Garen von Herdplatten und Backöfen verwendet werden.
- Die Temperatur der zugänglichen Oberflächen kann hoch sein, wenn das Gerät in Betrieb ist.
- Das Gerät muss an einer Wand aufgestellt werden.
- Das Gerät darf nicht von Kindern oder Personen mit eingeschränkten körperlichen, sensorischen oder geistigen Fähigkeiten oder mangelnder Erfahrung und Kenntnis benutzt werden, es sei denn, sie werden beaufsichtigt oder unterwiesen.
- **WARNUNG!** –Wenn die Tür oder die Türdichtungen beschädigt sind, darf der Ofen nicht in Betrieb genommen werden, bis er von einer kompetenten Person repariert wurde.
- Die Geräte sind nicht für den Betrieb mit einer externen Zeitschaltuhr oder einem separaten Fernbedienungssystem vorgesehen.
- Der Mikrowellenherd ist nur für den Hausgebrauch und nicht für den gewerblichen Gebrauch bestimmt.
- Entfernen Sie niemals den Abstandshalter hinten oder an den Seiten, da er einen Mindestabstand zur Wand für die Luftzirkulation gewährleistet.
- Bitte sichern Sie den Plattenteller, bevor Sie das Gerät bewegen, um Schäden zu vermeiden.
- **WARNUNG!**–Es ist gefährlich, das Gerät nur von einem Fachmann reparieren oder warten zu lassen, da unter diesen Umständen die Abdeckung entfernt werden muss, die den Schutz vor Mikrowellenstrahlung gewährleistet. Dies gilt auch für den Austausch des Netzkabels oder der Beleuchtung. Schicken Sie das Gerät in diesen Fällen an unser Service-Center.
- Der Mikrowellenherd ist nur zum Auftauen, Garen und Dämpfen von Speisen bestimmt.
- Tragen Sie Handschuhe, wenn Sie erhitzte Lebensmittel entfernen.
- Vorsicht! Beim Öffnen von Deckeln oder beim Einwickeln von Folie entweicht Dampf.
- Dieses Gerät kann von Kindern ab 8 Jahren und darüber sowie von Personen mit verringerten physischen, sensorischen oder geistigen Fähigkeiten oder Mangel an Erfahrung und Wissen benutzt werden, wenn sie beaufsichtigt oder bezüglich des sicheren Gebrauchs des Geräts unterwiesen wurden und die damit verbundenen Gefahren verstehen. Kinder dürfen nicht mit dem Gerät spielen. Reinigung und Wartung durch den Benutzer dürfen nicht von Kindern vorgenommen werden, es sei denn, sie sind mindestens 8 Jahre alt und werden beaufsichtigt.
- Wenn Rauch austritt, schalten Sie das Gerät aus oder ziehen Sie den Netzstecker und halten Sie die Tür geschlossen, um eventuelle Flammen zu ersticken.

- Vergewissern Sie sich, dass das gesamte Verpackungsmaterial von der Innenseite der Tür entfernt wurde.
- **WARNUNG!** - Prüfen Sie den Backofen auf Schäden, wie z. B. eine verbogene oder falsch ausgerichtete Tür, beschädigte Türdichtungen und Dichtungsflächen, gebrochene oder lockere Türscharniere und -verschlüsse sowie Beulen im Garraum oder an der Tür. Im Falle eines Schadens darf der Backofen nicht in Betrieb genommen werden, sondern muss von qualifiziertem Servicepersonal gewartet werden.
- Dieser Mikrowellenherd muss auf einer ebenen, stabilen Fläche stehen, die sein Gewicht und die schwersten Lebensmittel, die im Ofen gegart werden sollen, tragen kann.
- Stellen Sie den Ofen nicht an Orten auf, an denen Hitze, Feuchtigkeit oder hohe Luftfeuchtigkeit entstehen, oder in der Nähe von brennbaren Materialien.
- Für einen ordnungsgemäßen Betrieb muss der Backofen über einen ausreichenden Luftstrom verfügen. Es ist ein Freiraum von mindestens 20 cm über der Oberseite des Ofens und 5 cm an beiden Seiten erforderlich. Die Rückwand des Mikrowellenofens muss dicht an der Wand angebracht werden. Verdecken oder blockieren Sie keine Öffnungen des Geräts. Die Füße dürfen nicht entfernt werden.
- Nehmen Sie den Ofen nicht in Betrieb, wenn sich Glasschale, Rollenträger und Welle nicht in der richtigen Position befinden.
- Vergewissern Sie sich, dass das Netzkabel unbeschädigt ist und nicht unter dem Ofen oder über eine heiße oder scharfe Oberfläche verläuft.
- Die Steckdose muss leicht zugänglich sein, damit sie im Notfall einfach herausgezogen werden kann.
- Verwenden Sie den Backofen nicht im Freien.

ANWEISUNGEN ZUR ERDUNG

- Dieses Gerät muss geerdet werden. Dieser Ofen ist mit einem Kabel mit Erdungsdraht und einem Erdungsstecker ausgestattet. Es muss an eine ordnungsgemäß installierte und geerdete Steckdose angeschlossen werden. Im Falle eines Kurzschlusses verringert die Erdung die Gefahr eines elektrischen Schlages, da sie eine Ableitung für den elektrischen Strom bietet. Es wird empfohlen, einen separaten Stromkreis nur für den Backofen vorzusehen. Die Verwendung von Hochspannung ist gefährlich und kann zu einem Brand oder einem anderen Unfall führen, der den Backofen beschädigt.
- **WARNUNG!** - Die unsachgemäße Verwendung des Erdungssteckers kann zu einem Stromschlag führen.



Hinweis: Wenn Sie Fragen zur Erdung oder zu den elektrischen Anweisungen haben, wenden Sie sich an einen qualifizierten Elektriker oder eine Serviceperson.

Weder der Hersteller noch der Händler übernehmen eine Haftung für Schäden am Gerät oder für Personenschäden, die auf die Nichtbeachtung der elektrischen Anschlussvorschriften zurückzuführen sind.

Die Drähte in diesem Kabel sind nach folgendem Code gefärbt:

Grün und Gelb = ERDE

Blau = NEUTRAL

Braun = LIVE

FUNKSTÖRUNG

Der Betrieb des Mikrowellenofens kann Störungen bei Radio-, Fernseh- oder ähnlichen Geräten verursachen. Wenn es zu Störungen kommt, können diese durch die folgenden Maßnahmen verringert oder beseitigt werden:

1. Tür und Dichtungsfläche des Ofens reinigen.
2. Richten Sie die Empfangsantenne von Radio oder Fernsehen neu aus.
3. Stellen Sie den Mikrowellenherd in Bezug auf den Empfänger um.
4. Stellen Sie den Mikrowellenherd nicht in die Nähe des Empfängers.
5. Schließen Sie den Mikrowellenherd an eine andere Steckdose an, so dass Mikrowellenherd und Empfänger an verschiedenen Stromkreisen angeschlossen sind.

BEVOR SIE DEN KUNDENDIENST ANFORDERN

Bevor Sie den Service in Anspruch nehmen, überprüfen Sie bitte alle unten aufgeführten Punkte:

- Vergewissern Sie sich, dass der Stecker des Backofens fest eingesteckt ist. Ist dies nicht der Fall, ziehen Sie den Stecker aus der Steckdose, warten Sie 10 Sekunden und stecken Sie ihn wieder fest ein.
- Prüfen Sie, ob eine Sicherung durchgebrannt ist oder ein Hauptschalter ausgelöst wurde. Wenn diese ordnungsgemäß zu funktionieren scheinen, testen Sie die Steckdose mit einem anderen Gerät.
- Vergewissern Sie sich, dass das Bedienfeld richtig programmiert und der Timer eingestellt ist.
- Vergewissern Sie sich, dass die Tür sicher geschlossen ist, indem Sie das Türverriegelungssystem einrasten lassen. Wenn die Tür nicht richtig geschlossen ist, kann die Mikrowellenenergie nicht ins Innere fließen.

WENN KEINE DER OBEN GENANNTEN MASSNAHMEN ZUR BEHEBUNG DES PROBLEMS FÜHRT, WENDEN SIE SICH AN EINEN QUALIFIZIERTEN TECHNIKER. VERSUCHEN SIE NICHT, DEN BACKOFEN SELBST EINZUSTELLEN ODER ZU REPARIEREN.

GRUNDSÄTZE DES MIKROWELLENKOCHENS

- 1.** Die Speisen sorgfältig anrichten. Die dicksten Stellen zur Außenseite des Tellers hin anordnen.
- 2.** Achten Sie auf die Garzeit. Kochen Sie die kürzeste angegebene Zeit und fügen Sie bei Bedarf mehr Zeit hinzu. Stark überkochte Speisen können rauchen oder sich entzünden.
- 3.** Decken Sie die Speisen beim Garen ab. Abdeckungen verhindern Spritzer und sorgen für ein gleichmäßiges Garen der Speisen.
- 4.** Drehen Sie die Speisen während des Mikrowellengarens einmal um, um das Garen von Lebensmitteln wie Hähnchen und Hamburgern zu beschleunigen. Große Speisen wie Braten müssen mindestens einmal umgedreht werden.
- 5.** Ordnen Sie Speisen wie Fleischbällchen nach der Hälfte der Garzeit sowohl von oben nach unten als auch von der Mitte des Gerichts nach außen um.

UTENSILS-LEITFADEN

- 1.** Die Mikrowelle kann Metall nicht durchdringen. Verwenden Sie nur Utensilien, die für den Gebrauch in Mikrowellenherden geeignet sind. Metallische Behälter für Lebensmittel und Getränke sind beim Garen in der Mikrowelle nicht erlaubt. Diese Anforderung gilt nicht, wenn der Hersteller Größe und Form von Metallbehältern angibt, die für das Garen in der Mikrowelle geeignet sind.
- 2.** Die Mikrowelle kann kein Metall durchdringen, daher sollten Sie kein Metallgeschirr oder Geschirr mit metallischen Verzierungen verwenden.
- 3.** Verwenden Sie beim Kochen in der Mikrowelle keine Produkte aus Recyclingpapier, da diese kleine Metallteile enthalten können, die Funken und/oder Brände verursachen können.
- 4.** Empfehlenswert sind runde/ovale statt eckige/längliche Teller, da Speisen in den Ecken zum Überkochen neigen.
- 5.** Schmale Streifen Alufolie können verwendet werden, um ein Überkochen der freiliegenden Stellen zu verhindern. Achten Sie aber darauf, dass Sie nicht zu viel davon verwenden und einen Abstand von 2,54 cm zwischen Folie und Hohlraum einhalten.

Die folgende Liste ist ein allgemeiner Leitfaden, der Ihnen bei der Auswahl der richtigen Utensilien helfen soll.



Kochgeschirr	Mikrowelle	Grill	Kombination
Hitzebeständiges Glas	Ja	Ja	Ja
Nicht hitzebeständiges Glas	Nein	Nein	Nein
Hitzebeständige Keramiken	Ja	Ja	Ja
Mikrowellengeeignete Plastikschüssel	Ja	Nein	Nein
Küchenpapier	Ja	Nein	Nein
Metalltablett	Nein	Ja	Nein
Metallgestell	Nein	Ja	Nein
Alufolie und Folienbehälter	Nein	Ja	Nein

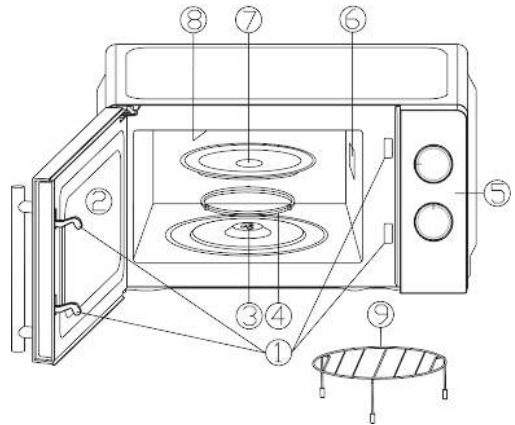
SPEZIFIKATIONEN

Stromverbrauch:	230V/50Hz, 1100W(Mikrowelle); 900W(Grill)
Nennleistung der Mikrowellen:	700W
Betriebsfrequenz:	2450MHz
Äußere Abmessungen:	243mm(H)×446mm(W)×369mm(D)
Abmessungen des Backraums:	172mm(H)×300mm(W)×305mm(D)
Kapazität des Backofens:	Kompakt 20Liter
Nettogewicht:	Ca. 10,4 kg
Aus-Modus	<0,3W

HINWEIS: Die Zeitspanne, nach der das Gerät automatisch ausgeschaltet wird, beträgt 0 Minuten.

TEILNAMEN

1. Tür-Sicherheitsschloss-System
2. Backofen-Fenster
3. Welle
4. Walzenring
5. Bedienfeld
6. Wave Guide (Bitte nicht die Glimmerabdeckung entfernen der Wellenleiter)
7. Glastablett
8. Grill-Heizung
9. Metallgestell



BEDIENFELD

Das Bedienfeld besteht aus zwei Funktionstasten. Der eine ist ein Zeitregler, der andere ein Leistungsregler.

Leistungs-/Aktionswahlschalter

Mit diesem Bedienknopf wählen Sie die gewünschte Leistungsstufe. Dies ist der erste Schritt, um einen Garvorgang zu starten.

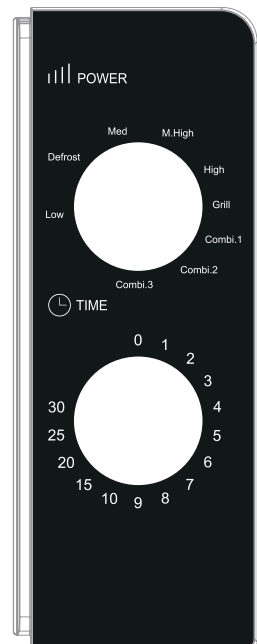
Timer-Knopf

Mit der visuellen Zeiteinstellung können Sie durch einfaches Drehen Ihres Daumens die gewünschte Kochzeit von bis zu 30 Minuten pro Kochvorgang auswählen.

Garen in der Mikrowelle

Für das reine Garen in der Mikrowelle gibt es fünf Leistungsstufen, aus denen Sie diejenige auswählen können, die für die jeweilige Aufgabe am besten geeignet ist.

Durch Drehen des Knopfes im Uhrzeigersinn erhöht sich die Leistungsstufe. Die Leistungsstufen können wie folgt klassifiziert werden:





Leistung	Beschreibung
100%	HOCH
81%	M.HOCH
58%	MITTE
36%	AUFTAUEN
18%	NIEDER

Garen auf dem Grill

Durch Drehen des Knopfes im Uhrzeigersinn über die höchste Mikrowellenleistungsstufe gelangt der Backofen in die Grillfunktion, die besonders für dünne Fleischscheiben, Steaks, Koteletts, Spieße, Würstchen oder Hähnchenstücke geeignet ist. Sie eignet sich auch zum Garen von heißen Sandwiches und überbackenen Gerichten.

Kombiniertes Garen

Wie der Name schon sagt, kombiniert dieser Garvorgang die Leistung der Mikrowelle mit der des Grills. Wie Sie der folgenden Tabelle entnehmen können, ist dieser Vorgang in drei Stufen mit unterschiedlichen Kombinationsleistungen eingeteilt. Diese sind für bestimmte Lebensmittel und kulinarische Vorgänge besonders geeignet. Auch um die begehrte Knusprigkeit bestimmter Lebensmittel zu erhalten.

Die folgende Tabelle zeigt 3 verschiedene Leistungseinstellungen für Kombinationsprogramme.

Programm	Kochzeit in der Mikrowelle	Grill-Garzeit	Geeignet für
Kamm.1	30%	70%	Fisch, Kartoffeln, Brotgetreide
Kamm.2	49%	51%	Pudding, Omeletts, gebackene Kartoffeln
Kamm.3	67%	33%	Geflügel

Um eine Kochsession zu beginnen:

1. Geben Sie die Speisen in den Ofen und schließen Sie die Tür.
2. Drehen Sie den Power Selector, um eine Leistungsstufe auszuwählen.
3. Drehen Sie den Timer-Knopf, um eine Garzeit einzustellen.

HINWEIS: Sobald der Timer gedreht wird, beginnt der Ofen zu garen. Wenn Sie eine Zeit von weniger als 2 Minuten wählen, drehen Sie den Timer über 2 Minuten hinaus und kehren dann zur richtigen Zeit zurück.

HINWEIS: Sobald der Timer eingeschaltet wird, beginnt der Backofen zu garen. Wenn Sie eine Zeit von weniger als 2 Minuten wählen, drehen Sie den Timer über 2 Minuten hinaus und kehren dann zur richtigen Zeit zurück.

ACHTUNG: STETS DEN TIMER ZURÜCKSTELLEN, wenn die Speisen vor Ablauf der eingestellten Garzeit aus dem Ofen genommen werden oder wenn der Ofen nicht benutzt wird. Um den Backofen während des Garvorgangs zu stoppen, drücken Sie die Türverriegelungstaste oder öffnen Sie die Tür am Griff.

REINIGUNG UND PFLEGE

1. Schalten Sie den Backofen vor der Reinigung aus und ziehen Sie den Netzstecker aus der Steckdose.
2. Halten Sie das Innere des Backofens sauber. Wenn Speisespritzer oder verschüttete Flüssigkeiten an den Backofenwänden haften, wischen Sie sie mit einem feuchten Tuch ab. Bei starker Verschmutzung des Backofens kann ein mildes Reinigungsmittel verwendet werden. Vermeiden Sie die Verwendung von Spray und anderen scharfen Reinigungsmitteln, da diese Flecken, Streifen oder ein Abstumpfen der Türoberfläche verursachen können.
3. Die Außenflächen sollten mit einem feuchten Tuch gereinigt werden. Um Schäden



an den Funktionsteilen im Inneren des Backofens zu vermeiden, darf kein Wasser in die Lüftungsöffnungen eindringen.

- 4.** Wischen Sie die Tür und das Fenster auf beiden Seiten, die Türdichtungen und die angrenzenden Teile häufig mit einem feuchten Tuch ab, um Verschüttetes oder Spritzer zu entfernen. Verwenden Sie keine Scheuermittel.
- 5.** Ein Dampfreiniger darf nicht verwendet werden.
- 6.** Achten Sie darauf, dass das Bedienfeld nicht nass wird. Reinigen Sie es mit einem weichen, feuchten Tuch. Lassen Sie beim Reinigen des Bedienfelds die Backofentür offen, um ein versehentliches Einschalten des Backofens zu vermeiden.
- 7.** Wenn sich innen oder außen an der Backofentür Dampf ansammelt, wischen Sie ihn mit einem weichen Tuch ab. Dies kann auftreten, wenn der Mikrowellenherd unter hoher Luftfeuchtigkeit betrieben wird. Und das ist normal.
- 8.** Gelegentlich ist es notwendig, die Glasschale zur Reinigung herauszunehmen. Waschen Sie das Tablett in warmem, schaumigem Wasser oder in der Spülmaschine.
- 9.** Der Rollenring und der Ofenboden sollten regelmäßig gereinigt werden, um übermäßigen Lärm zu vermeiden. Wischen Sie einfach die Unterseite des Backofens mit einem milden Reinigungsmittel ab. Der Walzenring kann in einer milden Seifenlauge oder in der Spülmaschine gereinigt werden. Wenn Sie den Rollenring zur Reinigung vom Garraumboden abnehmen, achten Sie darauf, ihn in der richtigen Position wieder einzusetzen.
- 10.** Entfernen Sie Gerüche aus Ihrem Ofen, indem Sie eine Tasse Wasser mit dem Saft und der Schale einer Zitrone in einer tiefen, mikrowellengeeigneten Schüssel vermischen und 5 Minuten lang in die Mikrowelle stellen. Gründlich abwischen und mit einem weichen Tuch abtrocknen.
- 11.** Wenn die Backofenlampe ausgetauscht werden muss, wenden Sie sich bitte an einen Fachhändler, um sie austauschen zu lassen.
- 12.** Der Backofen sollte regelmäßig gereinigt und alle Lebensmittelablagerungen entfernt werden. Wird der Backofen nicht in einem sauberen Zustand gehalten, kann dies zu einer Verschlechterung der Oberfläche führen, die sich negativ auf die Lebensdauer des Geräts auswirken und möglicherweise zu einer gefährlichen Situation führen kann.
- 13.** Bitte werfen Sie dieses Gerät nicht in den Hausmüll, sondern entsorgen Sie es bei den von den Gemeinden dafür vorgesehenen Entsorgungsstellen.
- 14.** Wenn der Mikrowellenherd mit Grillfunktion zum ersten Mal benutzt wird, kann es zu einer leichten Rauch- und Geruchsentwicklung kommen. Dies ist ein normales Phänomen, da der Ofen aus einer Stahlplatte besteht, die mit Schmieröl beschichtet ist, und der neue Ofen Rauch und Geruch erzeugt, die durch das Verbrennen des Schmieröls entstehen. Dieses Phänomen verschwindet nach einer gewissen Zeit der Benutzung.



ORIGINAL

WWW.ORIGIALHOME.COM