



# ORIGINAL

## ORIFRYWI6,5L-IN

AIR FRYER 6.5L



### USER MANUAL

MANUAL DE USO · MANUEL DE L'UTILISATEUR  
MANUALE D'USO · MANUAL DE INSTRUÇÕES



**AIR FRYER**  
**OPERATING AND SAFETY INSTRUCTIONS**  
**MODEL NO. ORIFRYWI6,5L-IN**



**FOR INDOOR HOUSEHOLD USE ONLY**

**SAVE THESE INSTRUCTIONS**

This appliance is not intended to be used in household and similar applications such as:

- staff kitchen areas in shops, offices and other working environments;
- farm houses;
- by clients in hotels, motels and other residential type environments;
- bed and breakfast type environments.

# CONTENT

---

IMPORTANT SAFEGUARDS	4
GENERAL DESCRIPTION	5
IMPORTANT	5
BEFORE FIRST USE	6
PREPARING FOR USE	7
USING THE APPLIANCE	7
CONTROL PANEL INSTRUCTIONS	8
SETTINGS	9
CLEANING	10
STORAGE	10
ENVIRONMENT	10
GUARANTEE AND SERVICE	10
CORRECT DISPOSAL OF THIS PRODUCT	10
TROUBLESHOOTING	11

**PLEASE READ THIS MANUAL CAREFULLY  
BEFORE YOU USE THE APPLIANCE AND SAVE  
IT FOR FUTURE REFERENCE.**





## IMPORTANT SAFEGUARDS

---

When using electrical appliances, basic safety precautions should always be followed including the following:

1. Read all instructions.
2. Do not touch hot surfaces.
3. To protect against electric shock do not immerse cord, plugs, or base in water or other liquid.
4. **WARNING:** This electrical appliance contains a heating function. Surfaces, also different from the functional surfaces, can develop high temperatures. Since temperatures are differently perceived by different persons, this equipment shall be used with **CAUTION**. The equipment shall be touched only at intended handles and gripping surfaces, with heat protection like gloves or similar. Surfaces other than intended gripping surfaces shall get sufficiently time to the cool down before getting touched.
5. Unplug from outlet when not in use and before cleaning. Allow to cool before putting on or taking off parts.
6. If the supply cord is damaged, it must be replaced by the manufacturer, its service agent or similarly qualified persons in order to avoid a hazard.
7. The use of accessory attachments not recommended by the appliance manufacturer may cause injuries.
8. Do not use outdoors.
9. Do not let cord hang over the edge of table or counter, which may get in touch with hot surface.
10. Do not place the appliance on or near a hot gas or electric burner, or in a heated oven.
11. Extreme caution must be taken when moving an appliance containing hot oil or other hot liquids.
12. Always attach plug to appliance first, then plug cord in the wall outlet. To be disconnected, turn any control to "off," then remove plug from wall outlet.
13. Do not use appliance for other than intended use.
14. This appliance can be used by children aged from 8 years and above and persons with reduced physical, sensory or mental capabilities or lack of experience and knowledge if they have been given supervision or instruction concerning use of the appliance in a safe way and understand the hazards involved. Children shall not play with the appliance. Cleaning and user maintenance shall not be made by children unless they are older than 8 and supervised.
15. Keep the appliance and its cord out of reach of children less than 8 years.
16. The appliances are not intended to be operated by means of an external timer or separate remote-control system.

## INTRODUCTION

---

This Hot-air fryer provides an easy and healthy way of preparing your favorite ingredients. By using hot rapid air circulation and a top grill, it is able to make numerous dishes. The best part is that the Hot-air fryer heats food at all directions and most of the ingredients do not need any oil.

### TECHNICAL DATA:

-----Voltage:220-240V~50Hz

-----Wattage:1700 Watts

-----Capacity with rack:6.5Litre

-----Adjustable temperature:80°C-200°C

-----Timer (0-60 min)



# GENERAL DESCRIPTION (FIG.1)

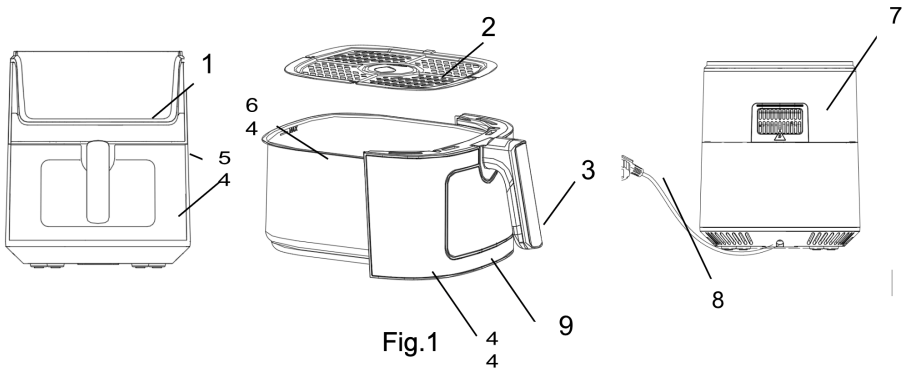


Fig.2

1	Display panel
2	Rack
3	Handle
4	Pot cover
5	Main housing
6	Frying Pot
7	Air outlet
8	Main cord (Electrical cord)
9	Visible window

## IMPORTANT

### DANGER

- This appliance can be used by children aged from 8 years and above and persons with reduced physical, sensory or mental capabilities or lack of experience and knowledge if they have been given supervision or instruction concerning use of the appliance in a safe way and understand the hazards involved. Children shall not play with the appliance. Cleaning and user maintenance shall not be made by children unless they are older than 8 and supervised.
- Keep the appliance and its cord out of reach of children less than 8 years.
- Never immerse the housing, which contains electrical components and the heating elements, in water nor rinse it under the tap.
- Do not let any water or other liquid enter into the appliance to prevent electric shock.
- Always put the ingredients to be fried in the basket, to prevent it from coming into contact with the heating elements.
- Do not cover the air inlet and the air outer openings while the appliance is operating.
- Do not fill the pot with oil as this may cause a fire hazard.
- Never touch the inside of the appliance while it is operating.

The temperature of accessible surfaces may be high when the appliance is operating.



## WARNING

- Check if the voltage indicated on the appliance fits the local mains voltage.
- Do not use the appliance if there is any damage on plug, mains cord or other parts.
- Do not go to any unauthorized person to replace or fix damaged main cord.
- Keep the mains cord away from hot surfaces.
- Do not plug in the appliance or operate the control panel with wet hands.
- Do not place the appliance against a wall or against other appliances. Leave at least 10cm free space on the back and sides and 10cm free space above the appliance.  
Do not place anything on top of the appliance.
- Do not use the appliance for any other purpose than described in this manual.
- Do not let the appliance operate unattended.
- During hot air frying, hot steam is released through the air outlet openings. Keep your hands and face at a safe distance from the steam and from the air outlet openings.  
Also be careful of hot steam and air when you remove the pot from the appliance.
- Any accessible surfaces may become hot during use (Fig.2)
- Immediately unplug the appliance if you see dark smoke coming out of the appliance. Wait for the smoke emission to stop before you remove the pot from the appliance.

## CAUTION

- Ensure the appliance is placed on a horizontal, even and stable surface.
- This appliance is designed for household use only. It may not be suitable to be safely used in environments such as staff kitchens, farms, motels, and other non-residential environments. Nor is it intended to be used by clients in hotels, motels, beds and breakfasts and other residential environments.
- If the appliance is used improperly or for professional or semi-professional purposes or it is not used according to the instructions in the user manual, the guarantee becomes invalid and we could refuse any liability for damage caused.
- Always unplug the appliance while not using.
- The appliance needs approximately 30 minutes to cool down for handle or cleaning safely.

## BEFORE FIRST USE

---

1. Remove all packaging materials.
2. Remove any stickers or labels from the appliance.
3. thoroughly clean the pot & rack with hot water, some washing-up liquid and a non-abrasive sponge.
4. Wipe inside and outside of the appliance with a moist cloth.

**This is an oil-free fryer that works on hot air. Do not fill the pot with oil or frying fat directly.**

**Notice: When your air fryer is heated for the first time, it may emit slight smoke or odor.**

**This is normal with many heating appliances. This does not affect the safety of your appliance.**

## PREPARING FOR USE

---

1. Place the appliance on a stable, horizontal and even surface.

**Do not place the appliance on non-heat-resistant surface.**

2. Place the rack in the pot.

**Do not fill the pot with oil or any other liquid.**

**Do not put anything on top of the appliance, the airflow will be disrupted and affects the hot air frying result.**

## USING THE APPLIANCE

---

The oil-free can prepare a large range of ingredients.

### Hot air frying

1. Connect the mains plug into an earthed wall socket.

2. Carefully pull the frying pot out of the Hot-air fryer.

3. Put the ingredients in frying pot.

4. Slide the frying pot back into the Hot-air fryer.

Noting to carefully align with the guides in the body of the fryer.

**Never use the pot without the rack in it.**

**Caution: Do not touch the frying pot during and after use, as it gets very hot. Please always hold the frying pot by the handle.**

5. Determine the required preparation time for the ingredients ( see section 'Settings' in this chapter).

6. Some ingredients require shaking halfway through the preparation time (see section "Settings" in this chapter). To shake the ingredients, pull the frying pot out of the appliance by the handle and shake it. Then slide the pot back into the air fryer.

**Caution: Do not press the button on the handle during shaking.**

Tip: If you set the timer to half of the preparation time, you will hear the timer buzzer when you have to shake the ingredients. However, this means that you have to set the timer again to the remaining preparation time after shaking.

7. When you hear the timer buzzer, which indicates the set preparation time has elapsed, pull the frying pot out of the appliance.

Tip: You can adjust temperature or time according to your taste during use. Your settings will be kept for about one minute after you pull the pot out of the body.

8. Check if the ingredients are ready or not.

If the ingredients are not ready yet, simply slide the frying pot back into the appliance and set the timer to a few extra minutes.

9. To remove ingredients (e.g. fries), pull the pot out of the Hot-air fryer and place it on trial framewor.

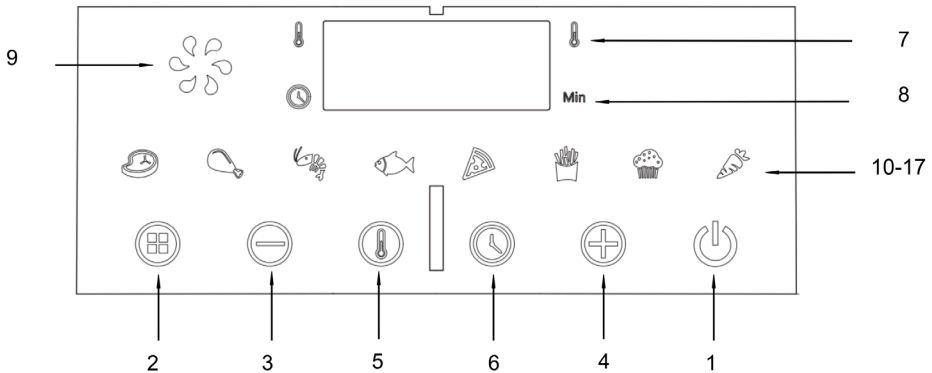
**Do not turn the pot upside down with the rack still attached to it, as any excess oil that has collected at the bottom of the pot will leak onto the ingredients.**

**The pot and the ingredients are hot, steam may escape from the pot depending on the type of the ingredients in the air fryer.**

10. Empty the basket into a bowl or onto a plate.

11. When a batch of ingredients are ready, the Hot-air fryer is instantly ready for preparing another batch.

## CONTROL PANEL INSTRUCTIONS



## OPERATION INSTRUCTIONS

- Key 1 – Power Key

Once the Basket and pot are properly placed in the main housing, the Power light will be illuminated. Selecting the power key for 3 seconds, it will make the unit default temperature 200, while the cooking time will be set to 15 minutes. Selecting the Power key a second time, it will start the cooking process. Pressing the power key for 3 seconds to close the entire device during cooking. "OFF" will show on screen. "OFF" light goes out and the fan stops working 20 seconds later and entire device totally stop working.

Note: During cooking, you can touch the keys to control the pause and start of cooking.

- Key 2 – Preset Key

Selecting the "" Preset key enables you to scroll through the 8 popular food choices. Once selected, the predetermined time and cooking temperature function begin.

- Key & Key – Timer/Temperature Control Decrease and Increase Keys

Selecting the Key 5 "" The Key 3 and Key 4 symbols enable you to increase or decrease cooking temperature **5°C** at a time. Keep the Key held down will rapidly change the temperature. Temperature Control range: 80°C-200°C.

Selecting the Key 6 "" The Key 3 and Key 4 symbols enable you to increase or decrease cooking time, one minute at a time. Keep the key held down will rapidly change the time.

- Key 7 & 8 **Min** – Temperature/Timer indicators
- Indicator light "9" – Fan indicator
- Indicator light "10-17" – Recipe indicator



The table below will help you to select the basic settings for the ingredients.

Note: Keep in mind that these settings are indications. As ingredients differ in origin, size, shape as well as brand, we could not guarantee the best setting for your ingredients.

As the Rapid Air technology instantly reheats the air inside the appliance instantly, pull the **frying pot** briefly out of the appliance during hot air frying barely disturbs the process.

## Tips

- Smaller ingredients usually require a slightly shorter preparation time than larger ingredients.
- A larger amount of ingredients only requires a slightly longer preparation time, a smaller amount of ingredients only requires a slightly shorter preparation time.
- Shaking smaller ingredients halfway through the preparation time optimizes the end result and can help prevent unevenly fried ingredients.
- Add some oil to fresh potatoes for a crispy result. Fry your ingredients in the Hot-air fryer within a few minutes after you added the oil.
- Do not prepare extremely greasy ingredients such as sausages in the Hot-air fryer.

Snacks that can be prepared in an oven can also be prepared in the Hot-air fryer

- The optimal amount for preparing crispy fries is 500 grams.
- Use pre-made dough to prepare filled snacks quickly and easily. Pre-made dough also requires a shorter preparation time than home-made dough.
- Place a baking tin or oven dish in the Hot-air fryer basket if you want to bake a cake or quiche or if you want to fry fragile ingredients or filled ingredients
- You can also use the Hot-air fryer to reheat ingredients. To reheat ingredients, set the temperature to 150°C for up to 10 minutes.

Ingredients	Min-max Amount (g)	Time (min)	Temperature (°C)	Shake	Extra Information
<b>Steak</b>	100-400	16-20	180		
<b>Drumsticks</b>	100-400	25-28	180		
<b>Shrimp</b>	100-400	12-15	180		
<b>Fish</b>	100-400	18-20	180		
<b>Pizza</b>	100-400	20-22	200		
<b>Frozen french fries</b>	100-400	17-20	200	Shake	
<b>Cake</b>	100-400	17-19	160		
<b>Vegetables</b>	100-400	15-18	160		

Note: Add 3 minutes to the preparation time when you start frying while the Hot-air fryer is still cold.



## CLEANING

---

Clean the appliance after every use.

**The pot and the non-stick coating rack. Do not use metal kitchen utensils or abrasive cleaning materials to clean them, as this may damage the non-stick coating.**

1. Remove the mains plug from the wall socket and let the appliance cool down.

Note: Remove the pot to let the Hot-air fryer cool down more quickly.

2. Wipe the outside of the appliance with a moist cloth.

3. Clean the pot and rack with hot water, some washing-up liquid and a non-abrasive sponge.

You can use degreasing liquid to remove any remaining dirt.

Tip: If dirt is stuck to the rack or the bottom of the pot, fill the pot with hot water with some washing-up liquid. Put the rack in the pot and let the pot and rack soaked for approximately 10 minutes.

4. Clean the inside of the appliance with hot water and non-abrasive sponge.

5. Clean the heating element with a cleaning brush to remove any food residues.

## STORAGE

---

1. Unplug the appliance and let it cool down.

2. Make sure all parts are clean and dry.

## ENVIRONMENT

---

Do not throw away the appliance with the normal household waste when it is exhausted, but hand it in at an official collection point for recycling. By doing this, you help to preserve the environment.

## GUARANTEE AND SERVICE

---

If you need service or information or if you have a problem, please contact your local authorized service centre.

## CORRECT DISPOSAL OF THIS PRODUCT

---



This marking indicates that this product should not be disposed with other household wastes throughout the EU. To prevent possible harm to the environment or human health from uncontrolled waste disposal, recycle it responsibly to promote the sustainable reuse of material resources. To return your used device, please use the return and collection systems or contact the retailer where the product was purchased. They can take this product for environmental safe recycling.



# TROUBLESHOOTING

Problem	Possible cause	Solution
The Hot-air fryer does not work.	The appliance is not plugged in.	Put the mains plug in an earthed wall socket.
	You have not set the timer.	Set the timer key to the required preparation time to switch on the appliance.
The ingredients fried with the air fryer are not done.	The amount of ingredients in the basket is too big.	Put smaller batches of ingredients in the basket. Smaller batches are fried more evenly.
	The set temperature is too low.	Set the temperature key to the required temperature setting (see section 'settings' in chapter 'Using the appliance').
	The preparation time is too short.	Set the timer to the required preparation time (see section 'Settings' in chapter 'Using the appliance').
The ingredients are fried unevenly in the air fryer.	Certain types of ingredients need to be shaken halfway through the preparation time.	Ingredients that lie on top of or across each other (e.g. fries) need to be shaken halfway through the preparation time. See section 'Settings' in chapter 'Using the appliance'.
Fried snacks are not crispy when they come out of the air fryer.	You used a type of snacks meant to be prepared in a traditional deep fryer.	Use oven snacks or lightly brush some oil onto the snacks for a crispier result.
I cannot slide the pan into the appliance properly.	There are too much ingredients in the frying pot.	Do not fill the frying pot beyond the MAX indication.
	The rack is not placed in the pot correctly.	Push the rack down into the pot until it could not move further.
White smoke comes out of the appliance.	You are preparing greasy ingredients.	When you fry greasy ingredients in the air fryer, a large amount of oil will leak into the pot. The oil produces white smoke and the pot may heat up more than usual. This does not affect the appliance or the end result.
	The pot still contains grease residues from previous use.	White smoke is caused by grease heating up in the pan. make sure you clean the pan properly after each use.
Fresh fries are fried unevenly in the air fryer.	You did not use the right potato type.	Use fresh potatoes and make sure they stay firm during frying.
	You did not rinse the potato sticks properly before you fried them.	Rinse the potato sticks properly to remove starch from the outside of the sticks.
Fresh fries are not crispy when they come out of the air fryer.	The crispiness of the fries depends on the amount of oil and water in the fries.	Make sure you dry the potato sticks properly before you add the oil.
		Cut the potato sticks smaller for a crispier result.
		Add slightly more oil for a crispier result.



ES

## FREIDORA DE AIRE

### INSTRUCCIONES DE FUNCIONAMIENTO Y SEGURIDAD

NÚMERO DE MODELO: ORIFRYWI6,5L-IN

#### SOLO PARA USO DOMÉSTICO EN INTERIORES

#### GUARDE ESTAS INSTRUCCIONES

Este aparato no está diseñado para ser utilizado en aplicaciones domésticas ni similares, como:

- áreas de cocina para el personal en tiendas, oficinas y otros entornos de trabajo;
- caseríos;
- para clientes de hoteles, moteles y otros entornos de tipo residencial;
- establecimientos tipo alojamiento y desayuno.

## CONTENIDO

CONSIDERACIONES IMPORTANTES	14
INTRODUCTION	14
DESCRIPCIÓN GENERAL	15
IMPORTANTE	15
ANTES DEL PRIMER USO	16
PREPARACIÓN PARA EL USO	17
USO DEL APARATO	17
INSTRUCCIONES DEL PANEL DE CONTROL	18
AJUSTES	19
LIMPIEZA	20
ALMACENAMIENTO	20
MEDIOAMBIENTE	20
GARANTÍA Y SERVICIO	20
ELIMINACIÓN CORRECTA DE ESTE PRODUCTO	20
RESOLUCIÓN DE PROBLEMAS	21

LEA ESTE MANUAL DETENIDAMENTE ANTES  
DE UTILIZAR EL APARATO Y GUÁRDELO  
PARA FUTURAS CONSULTAS.



## CONSIDERACIONES IMPORTANTES

Al utilizar aparatos eléctricos, siempre se deben seguir precauciones básicas de seguridad, entre las que están las siguientes:

1. Lea todas las instrucciones.
2. No toque las superficies calientes.
3. Para protegerse contra descargas eléctricas, no sumerja el cable, los enchufes ni la base en agua ni en ningún otro líquido.
4. **ADVERTENCIA:** Este aparato eléctrico tiene una función de calentamiento. Sus superficies, incluso las no funcionales, pueden alcanzar altas temperaturas. Dado que las diferentes personas perciben las temperaturas de manera diferente, este aparato debe utilizarse con PRECAUCIÓN. El equipo solo debe tocarse por sus mangos y superficies de agarre previstos, con protección térmica como guantes o similar. Antes de tocar las superficies que no sean las superficies de agarre previstas, deberá esperar a que transcurra tiempo suficiente para que se enfríen.
5. Desenchufe el aparato de la toma cuando no esté en uso y antes de limpiarlo. Deje que se enfríe antes de poner o quitar piezas.  
quitar piezas.
6. Si el cable de alimentación está dañado, el fabricante, su agente de mantenimiento o personas con cualificación similar deberán cambiarlo para evitar riesgos.
7. El uso de accesorios no recomendados por el fabricante del aparato puede causar lesiones.  
causar lesiones.
8. No debe utilizarse al aire libre.
9. No deje que el cable cuelgue sobre el borde de la mesa o mostrador, ya que podría entrar en contacto con una superficie caliente.
10. No disponga el aparato sobre o cerca de un quemador eléctrico o de gas caliente, ni en un horno caliente.
11. Se debe tener extrema precaución al mover un aparato que contenga aceite caliente u otros líquidos calientes.  
líquidos.
12. Siempre conecte primero el enchufe al electrodoméstico y luego enchufe el cable a la toma de pared. Para desconectarlo, apague cualquier control y luego retire el enchufe de la toma de pared.
13. No utilice el aparato para otro uso que no sea el previsto.
14. Este aparato puede ser utilizado por niños a partir de 8 años y por personas con capacidades físicas, sensoriales o mentales reducidas o con falta de experiencia y conocimientos si han recibido supervisión o instrucciones sobre el uso seguro del aparato y comprenden los peligros que conlleva. Los niños no deben jugar con el aparato. La limpieza y el mantenimiento del usuario no deben quedar a cargo niños a menos que sean mayores de 8 años y estén bajo supervisión.
15. Mantenga el aparato y el cable fuera del alcance de niños menores de 8 años.
16. Los aparatos no están diseñados para funcionar mediante un temporizador externo ni un sistema de control remoto independiente.

## INTRODUCCIÓN

Esta freidora de aire caliente ofrece una manera fácil y saludable de preparar sus alimentos favoritos. Hace circular aire caliente y rápida con parrilla superior para preparar numerosos platos. La principal ventaja es que la freidora de aire caliente calienta los alimentos en todas direcciones y la mayoría de los ingredientes no necesitan aceite.

### DATOS TÉCNICOS:

- Voltaje: 220-240 V-50 Hz
- Potencia: 1700 vatios
- Capacidad con rejilla: 6,5 litros
- Temperatura ajustable: 80°C -200°C
- Temporizador (0-60 min)

# DESCRIPCIÓN GENERAL (FIG.1)

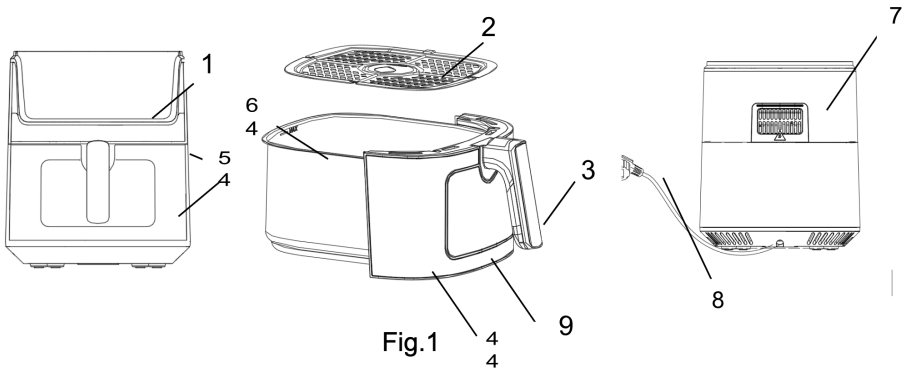


Fig.2

1	Panel de visualización
2	Rejilla
3	Mango
4	Tapa de recipiente
5	Carcasa principal
6	Recipiente para freír
7	Salida de aire
8	Cable principal (cable eléctrico)
9	Ventana visible

## IMPORTANTE

### PELIGRO

Este aparato puede ser utilizado por niños a partir de 8 años y por personas con capacidades físicas, sensoriales o mentales reducidas o con falta de experiencia y conocimientos si han recibido supervisión o instrucciones sobre el uso del aparato de forma segura y comprenden los peligros que conlleva. Los niños no deben jugar con el aparato. La limpieza y el mantenimiento del usuario no deben quedar a cargo niños a menos que sean mayores de 8 años y estén bajo supervisión.

- Mantenga el aparato y el cable fuera del alcance de niños menores de 8 años.
- Nunca sumerja la carcasa que contiene los componentes eléctricos y los elementos de calentamiento en agua ni la enjuague bajo el grifo.
- Para evitar descargas eléctricas, no permita que entre agua u otro líquido en el aparato.
- Ponga siempre los ingredientes a freír en el cestillo, para evitar que entren en contacto con las resistencias.
- No cubra la entrada de aire ni las aberturas exteriores de aire mientras el aparato esté funcionando.
- No llene el recipiente con aceite, ya que esto puede causar riesgo de incendio.
- Nunca toque el interior del aparato mientras esté funcionando.

Cuando el aparato está funcionando, las superficies accesibles pueden estar a temperatura elevada.

## ADVERTENCIA

- Compruebe si la tensión indicada en el aparato se ajusta a la tensión de la red local.
- No use el aparato si hay algún daño en el enchufe, el cable de red u otras piezas.
- No acuda a ninguna persona no autorizada para reemplazar o reparar el cable de alimentación dañado.
- Mantenga el cable de red alejado de superficies calientes.
- No enchufe el aparato ni opere el panel de control con las manos mojadas.
- No coloque el aparato contra una pared ni contra otros aparatos. Deje al menos 10 cm de espacio libre en la parte trasera y los lados y 10 cm de espacio libre por encima del aparato.  
No ponga nada encima del aparato.
- No use el aparato para ningún otro fin que el descrito en este manual.
- No deje que el aparato funcione sin supervisión.
- Durante la fritura con aire caliente, se libera vapor a alta temperatura a través de las aberturas de salida de aire. Mantenga las manos y la cara a una distancia segura del vapor y de las aberturas de salida de aire.  
Tenga cuidado con el vapor si retira el recipiente del aparato.
- Todas las superficies accesibles son susceptibles a calentarse durante el uso (Fig. 2).
- Desenchufe inmediatamente el aparato si ve que sale humo oscuro de este. Antes de extraer el recipiente del aparato, espere a que el humo deje de salir.

## PRECAUCIÓN

- Asegúrese de que el aparato esté situado sobre una superficie horizontal, plana y estable.
- Este aparato está diseñado solo para uso doméstico. Puede que no sea adecuado para su uso seguro en entornos como cocinas de personal, casas de campo, moteles y otros entornos no residenciales. Tampoco está destinado a ser utilizado por clientes en hoteles, moteles, establecimientos de alojamiento y desayuno y otros entornos residenciales.
- Si el aparato se utiliza de forma inadecuada o con fines profesionales o semiprofesionales o no se utiliza según las instrucciones del manual de usuario, la garantía quedará anulada y podremos rechazar cualquier responsabilidad por los daños causados.
- Desenchufe siempre el aparato cuando no lo esté utilizando.
- El aparato necesita aproximadamente 30 minutos para enfriarse antes de poder manipularlo o limpiarlo de forma segura

## ANTES DEL PRIMER USO

---

1. Retire todos los materiales de embalaje.
2. Retire cualquier pegatina o etiqueta del aparato.
3. Limpie a fondo el recipiente y la rejilla con agua caliente, un poco de jabón lavavajillas y una esponja no abrasiva.
4. Limpie el interior y el exterior del aparato con un paño húmedo.

**Es una freidora sin aceite que funciona con aire caliente. No llene el recipiente directamente con aceite o grasa para freír.**

**Aviso: cuando su freidora se calienta por primera vez, es posible que emita un ligero humo u olor. Esto es normal en muchos aparatos que se calientan. Esto no afecta la seguridad del aparato.**



# PREPARACIÓN PARA EL USO

---

1 Coloque el aparato sobre una superficie estable, horizontal y nivelada.

**No coloque el aparato sobre una superficie que no sea resistente al calor.**

2. Ponga la rejilla en el recipiente.

**No llene el recipiente con aceite ni ningún otro líquido.**

**No coloque nada encima del aparato, ya que esto cortará el flujo de aire y afectará el resultado de la fritura con aire caliente.**

## USO DEL APARATO

---

Con el oil-free se pueden preparar una gran variedad de ingredientes.

### Freír con aire caliente

1. Conecte el enchufe a una toma de pared con conexión a tierra.

2. Saque con cuidado el recipiente de la freidora de aire caliente.

3. Ponga los ingredientes en el recipiente.

4. Vuelva a poner el recipiente en la freidora.

Preste atención a que las guías queden perfectamente alineadas con el cuerpo de la freidora.

**Nunca utilices la olla sin la rejilla dentro.**

**Precaución: No toque el recipiente durante y después de su uso, ya que se calienta mucho. Sujete siempre el recipiente por el mango.**

5. Determine el tiempo de preparación requerido para los ingredientes (consulte la sección «Ajustes» en este capítulo).

6. Algunos ingredientes se deben revolver a mitad del tiempo de preparación (consulte la sección «Ajustes» en este capítulo). Para agitar los ingredientes, saque el recipiente del aparato por el mango y agítelo.. Después, vuelva a meter el recipiente en la freidora.

**Precaución: No presione el botón del mango mientras esté agitando.**

Consejo: Si configura el temporizador a la mitad del tiempo de preparación, escuchará la alarma cuando tenga que revolver los ingredientes. Sin embargo, esto significa que tendrá que volver a poner el temporizador para el tiempo de preparación restante cuando termine de revolver.

7. Cuando escuche la alarma del temporizador, que indica que ha transcurrido el tiempo de preparación establecido, saque el recipiente del aparato.

Consejo: Puedes ajustar la temperatura o el tiempo como desee durante el uso. Los ajustes se mantendrán durante aproximadamente un minuto después de sacar el recipiente del cuerpo.

8. Compruebe si los ingredientes están listos.

Si los ingredientes aún no están listos, vuelva a meter el recipiente en el aparato y ponga el temporizador unos minutos más.

9. Para retirar los ingredientes (por ejemplo, patatas fritas), saque el recipiente de la freidora de aire caliente y colóquelo sobre una estructura de prueba.

**No voltee el recipiente con la rejilla todavía colocada, ya que el exceso de aceite que se haya acumulado en el fondo se derramará sobre los ingredientes.**

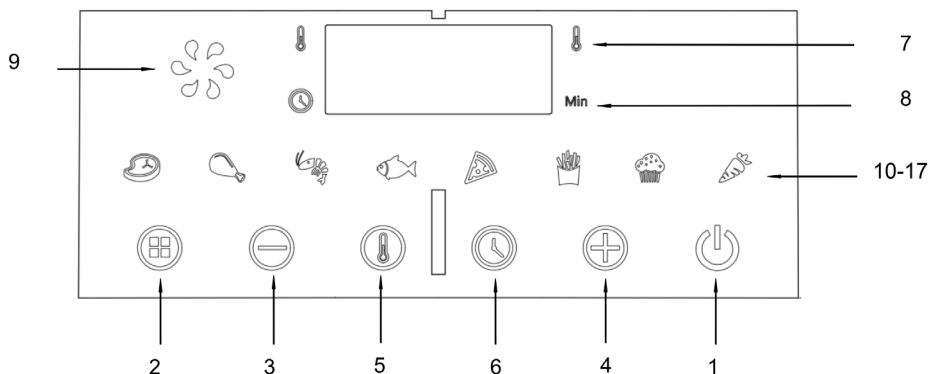


**El recipiente y los ingredientes están calientes, es posible que se libere vapor dependiendo del tipo de ingredientes en la freidora.**

10. Vacíe el cestillo en un bol o en un plato.

11. Cuando termina de cocinar un lote, la freidora de aire caliente está lista al instante para preparar otro lote.

## INSTRUCCIONES DEL PANEL DE CONTROL



### INSTRUCCIONES DE MANEJO:

- Tecla 1 -  - Tecla de encendido


Una vez que el cestillo y el recipiente estén correctamente colocados en la carcasa principal, se iluminará la luz de encendido. Al pulsar el botón de encendido durante 3 segundos, la temperatura predeterminada de la unidad será 200°, y el tiempo de cocción se establecerá en 15 minutos. Al seleccionar el botón de encendido por segunda vez, se iniciará el proceso de cocción. Pulse la tecla de encendido durante 3 segundos para apagar el aparato durante la cocción. En la pantalla aparecerá «OFF». La luz de «OFF» se apaga y el ventilador deja de funcionar 20 segundos después y todo el aparato deja de funcionar.


Nota: Durante la cocción, puedes tocar las teclas para pausar y reiniciar la cocción.

- Tecla 2 -  - Tecla de predeterminados

Seleccione la tecla de predeterminados  para desplazarse por las 8 opciones de alimentos populares. Seleccione la que desee, el tiempo y la temperatura de cocinado se establecerán automáticamente.

- Tecla  y tecla  - Teclas para subir y bajar la temperatura

Seleccione la tecla 5 «  ». Con los símbolos de las teclas 3 y 4 podrá subir o bajar la temperatura de cocción en intervalos de **5°C**. Mantenga la tecla presionada para cambiar la temperatura rápidamente. Rango de control de temperatura: 80°C-200°C.

Seleccione la tecla 6 «  ». Con los símbolos de las teclas 3 y 4 podrá prolongar o reducir el tiempo de cocción n intervalos de un minuto. Mantenga la tecla presionada para cambiar el tiempo rápidamente.

- Teclas 7  y 8 **Min** - Indicadores de temperatura/temporizador

Luz indicadora «9» - Indicador del ventilador

Luz indicadora «10-17» - Indicador de receta



## AJUSTES

Consulte la siguiente tabla para ver los ajustes básicos de los ingredientes.

Nota: Recuerde que estos ajustes son indicaciones. Como los ingredientes difieren en origen, tamaño, forma y marca, no podemos garantizar qué ajuste es el óptimo para sus ingredientes.

Como la tecnología Rapid Air recalienta instantáneamente el aire dentro del aparato, sacar el **recipiente** brevemente del aparato durante la fritura con aire caliente apenas altera el proceso.

### Consejos

Los ingredientes más pequeños suelen requerir un tiempo de preparación ligeramente más corto que los ingredientes de mayor tamaño.

El tiempo de preparación para cantidades mayores de ingredientes solo es un poco más largo, el tiempo de preparación para cantidades menores solo es ligeramente más corto.

Revuelva los ingredientes más pequeños a mitad del tiempo de preparación para optimizar el resultado final y evitar que los ingredientes se frian de manera desigual.

Añada un poco de aceite a las patatas frescas para obtener un resultado crujiente. Fría los ingredientes en la freidora de aire caliente unos minutos después de añadir el aceite.

No prepare ingredientes extremadamente grasos, como salchichas, en la freidora de aire caliente.

Las comidas preparadas aptas para horno también se pueden preparar en la freidora de aire caliente.

La cantidad óptima para preparar patatas fritas crujientes es 500 gramos.

Use masa prefabricada para preparar aperitivos rellenos de forma rápida y sencilla. La masa prefabricada también requiere un tiempo de preparación más corto que la casera.

Ponga un molde para hornear o una fuente para horno en el cestillo de la freidora de aire caliente si desea hornear un pastel o una quiche o si desea freír ingredientes frágiles o rellenos.

También puede utilizar la freidora de aire caliente para recalentar ingredientes. Para recalentar los ingredientes, ajuste la temperatura a 150°C durante hasta 10 minutos.

Ingredientes	Cantidad mínima y máxima (g)	Tiempo (mínimo)	Temperatura (°C)	Agitar	Información adicional
Filete	100-400	16-20	180		
Muslos de pollo	100-400	25-28	180		
Gambas	100-400	12-15	180		
Pescado	100-400	18-20	180		
Pizza	100-400	20-22	200		
Patatas fritas congeladas	100-400	17-20	200	Shake	
Pastel	100-400	17-19	160		
Verduras	100-400	15-18	160		

Nota: Si empieza a cocinar con la freidora aún fría, añada 3 minutos al tiempo de preparación.

## LIMPIEZA

Limpie el aparato cada vez que lo use.

**Recipiente y rejilla con revestimiento antiadherente. No use utensilios de cocina metálicos ni materiales de limpieza abrasivos para la limpieza, ya que esto podría dañar el revestimiento antiadherente.**

1 Retire el enchufe de la toma de pared y deje que el aparato se enfríe.

*Nota: Retire el recipiente para que la freidora se enfríe más rápidamente.*

2 Limpie el exterior del aparato con un paño húmedo.

3. Limpie el recipiente y la rejilla con agua caliente, un poco de jabón lavavajillas y una esponja no abrasiva.

Puede utilizar líquido desengrasante para eliminar los restos de suciedad.

Consejo: Si hay suciedad pegada a la rejilla o al fondo del recipiente, llene el recipiente con agua caliente con un poco de lavavajillas. Coloque la rejilla en el recipiente y deje ambas partes en remojo durante aproximadamente 10 minutos.

4 Limpie el interior del aparato con agua caliente y una esponja no abrasiva.

5 Limpie el elemento calefactor con un cepillo de limpieza para eliminar los restos de comida.

## ALMACENAMIENTO

1 Desenchufe el aparato y déjelo enfriar.

2 Asegúrese de que todas las piezas estén limpias y secas.

## MEDIOAMBIENTE

No deseche el aparato junto con la basura doméstica normal cuando termine su vida útil, entregúelo a un punto de recogida oficial para su reciclaje. Al hacer esto, estará ayudando a preservar el medioambiente.

## GARANTÍA Y SERVICIO

Si necesita asistencia técnica o información o si tiene algún problema, comuníquese con su centro de servicio autorizado local.

## ELIMINACIÓN CORRECTA DE ESTE PRODUCTO



Este marcado indica que este producto no debe desecharse con otros residuos domésticos en toda la UE. Para evitar posibles daños al medioambiente o la salud humana debido a la eliminación incontrolada de residuos, reciclela de manera responsable para promover la reutilización sostenible de los recursos materiales. Para devolver el aparato usado, utilice los sistemas de devolución y recogida o comuníquese con el distribuidor donde adquirió el producto. Pueden llevar este producto para un reciclaje seguro para el medioambiente.

# RESOLUCIÓN DE PROBLEMAS

Problema	Posible causa	Solución
La freidora de aire caliente no funciona.	El aparato no está enchufado.	Introduzca el enchufe en una toma de pared con toma de tierra.
	No ha configurado el temporizador.	Configure el tiempo requerido de preparación con la tecla de temporizador para encender el aparato.
Los ingredientes fritos con la freidora no están cocinados.	Ha metido demasiados alimentos en el cestillo.	Ponga una cantidad más pequeña. Los lotes más pequeños se frien de manera más uniforme.
	La temperatura establecida es demasiado baja.	Pulse la tecla de temperatura hasta el ajuste deseado (véase la sección «Ajustes» en el capítulo «Uso del aparato»).
	No se han cocinado el tiempo suficiente.	Ponga el temporizador al tiempo de preparación necesario (véase la sección «Ajustes» en el capítulo «Uso del aparato»).
Los ingredientes se han frito de forma desigual.	Algunos ingredientes se deben revolver a mitad de la preparación	Los ingredientes que se apilan, como las patatas fritas, deben revolverse a mitad del tiempo de cocción. Véase la sección «Ajustes» en el capítulo «Uso del aparato».
Los alimentos para freír no salen crujientes de la freidora.	Algunos alimentos para freír están hechos para las freidoras de aceite tradicionales.	Use alimentos para hacer al horno o aplica un poco de aceite sobre los alimentos para que quedan más crujientes.
No puedo encajar el recipiente en el aparato.	Ha llenado demasiado el recipiente.	No llene el recipiente más allá de la indicación MAX.
	La rejilla no está colocada correctamente en el recipiente.	Empuje la rejilla hacia abajo dentro del recipiente hasta llegar a un tope.
Sale humo blanco del aparato.	Está cocinando con ingredientes grasos.	Si frie ingredientes grasos en la freidora de aire, el aceite se filtrará al recipiente. Este produce humo blanco y puede calentar el recipiente más de lo habitual. Esto no afecta al aparato ni al resultado final.
	El recipiente contiene restos de grasa del uso anterior.	El humo blanco se produce cuando la grasa se calienta en el recipiente. Asegúrese de limpiarlo correctamente después de cada uso.
Las patatas fritas frescas se frien de manera desigual.	No ha usado el tipo de patata correcto.	Use patatas frescas y asegúrese de que se mantengan firmes durante la fritura..
	No enjuagó los palitos de patata correctamente antes de freírlos.	Enjuague bien los palitos de patata para eliminar el almidón del exterior.
Las patatas fritas frescas no salen crujientes de la freidora.	La textura crujiente de las patatas fritas depende de la cantidad de aceite y agua que contengan.	Asegúrese de secar bien los palitos de patata antes de echar el aceite.
		Corte los palitos de patata más pequeños para obtener un resultado más crujiente.
		Eche un poco más de aceite para obtener un resultado más crujiente.

**FREGIDORA D'AIRE**  
**INSTRUCCIONS DE FUNCIONAMENT I SEGURETAT**  
**MODEL NÚM. ORIFRYWI6,5L-IN**

**NOMÉS PER A ÚS DOMÈSTIC A INTERIORS**

**DESEU AQUESTES INSTRUCCIONS**

Aquest aparell no està pensat per fer-ne un ús domèstic, o similar, en els casos següents:

- A la zona de cuina del personal a botigues, oficines i altres entorns laborals;
- Allotjaments rurals;
- Per clients a hotels, motels i altres entorns de tipus residencial;
- Allotjaments tipus pensió

# CONTINGUT

<b>PRECAUCIONS IMPORTANTS</b>	<b>14</b>
<b>PRESENTACIÓ</b>	<b>14</b>
<b>DESCRIPCIÓ GENERAL (FIG.1)</b>	<b>15</b>
<b>IMPORTANT</b>	<b>15</b>
<b>ABANS DEL PRIMER ÚS</b>	<b>16</b>
<b>PREPARACIÓ PER A L'ÚS</b>	<b>17</b>
<b>ÚS DE L'APARELL</b>	<b>17</b>
<b>INSTRUCCIONS DEL PANEL DE CONTROL</b>	<b>18</b>
<b>CONFIGURACIÓ</b>	<b>19</b>
<b>NETEJA</b>	<b>20</b>
<b>EMMAGATZEMATGE</b>	<b>20</b>
<b>MEDI AMBIENT</b>	<b>20</b>
<b>GARANTIA I SERVEI</b>	<b>20</b>
<b>ELIMINACIÓ CORRECTA D'AQUEST PRODUCTE</b>	<b>20</b>
<b>RESOLUCIÓ DE PROBLEMES</b>	<b>21</b>

**SI US PLAU, LLEGIU ATENTAMENT AQUEST MANUAL ABANS D'UTILITZAR L'APARELL I DESEU-LO PER A FUTURES CONSULTES.**





## PRECAUCIONS IMPORTANTS

Quan utilitzeu aparells elèctrics, s'han de seguir les precaucions de seguretat bàsiques, entre les quals s'inclouen les següents:

1. Llegiu totes les instruccions.
2. No toqueu les superfícies calentes.
3. Per protegir-vos d'una descàrrega elèctrica, no submergiu els cables, els endolls o fiquen l'aparell en aigua o en cap altre líquid.
4. **ADVERTIMENT:** Aquest aparell elèctric té un element calefactor. Algunes de les superfícies, diferents de les superfícies funcionals, poden assolir temperatures elevades. Com que cadascú percep la temperatura de manera diferent, aquest aparell s'ha de fer servir amb PRECAUCIÓ. L'aparell s'ha d'agafar, únicament, per les nanses i superfícies previstes, amb protecció tèrmica com guants o similars. Les superfícies que no siguin les d'agafament han de deixar-se refredar durant el temps suficient abans de tocar-les.
5. Desendolieu l'aparell de la presa de corrent quan no utilitzeu i abans de netejar-lo. Deixeu que es refredi abans de posar-li o treure-li les peces.
6. Si el cable d'alimentació està danyat, l'ha de substituir el fabricant, el seu agent de servei o persones qualificades similars per evitar un esdeveniment perillós.
7. L'ús d'accessoris no recomanats pel fabricant de l'aparell pot provocar lesions.
8. No utilitzar a l'aire lliure.
9. No deixeu que el cable pengi sobre la vora de la taula o el taulell, ja que podria entrar en contacte amb una superfície calenta.
10. No col·loqueu l'aparell a sobre o prop d'un cremador de gas o elèctric calent, ni d'un forn calent.
11. Cal extremar la precaució quan es mou un aparell que conté oli calent o qualsevol altre líquid calent.
12. Connecteu sempre primer l'endoll a l'aparell i, a continuació, connecteu el cable a la presa de corrent. Per desconnectar-lo, gireu qualsevol dels controls cap a «OFF» i, a continuació, desendolieu l'endoll de la presa de corrent.
13. No doneu a l'aparell més usos que els previstos.
14. Aquest aparell el poden utilitzar nens a partir dels 8 anys i persones amb capacitats físiques, sensorials o mentals reduïdes o amb manca d'experiència i coneixements si han rebut supervisió o instruccions sobre l'ús de l'aparell de manera segura i amb consciència dels perills que implica. Els nens no han de jugar amb l'aparell. La neteja i el manteniment per part de l'usuari no l'han de dur a terme nens, tret que tinguin més de 8 anys i estiguin supervisats.
15. Mantingueu l'aparell i el cable fora de l'abast dels nens menors de 8 anys.
16. Els aparells no estan pensats per funcionar mitjançant un temporitzador extern o amb un sistema de control remot independent.

## PRESENTACIÓ

Aquesta fregidora d'aire calent ofereix una manera fàcil i saludable de cuinar els vostres ingredients preferits. Utilitzant una circulació d'aire calent ràpida i un grill a la part superior, pot cuinar molts plats diferents. La millor part és que la fregidora d'aire calent escalfa els aliments en totes direccions i la majoria dels ingredients no necessiten oli.

### DADES TÈCNiques:

-----Voltatge: 220-240V~50Hz

-----Potència dels Watts: 1700 Watts

-----Capacitat amb reixeta: 6,5 litres

----- Temperatura ajustable: 80°C - 200°C

-----Temporitzador (0-60 min)

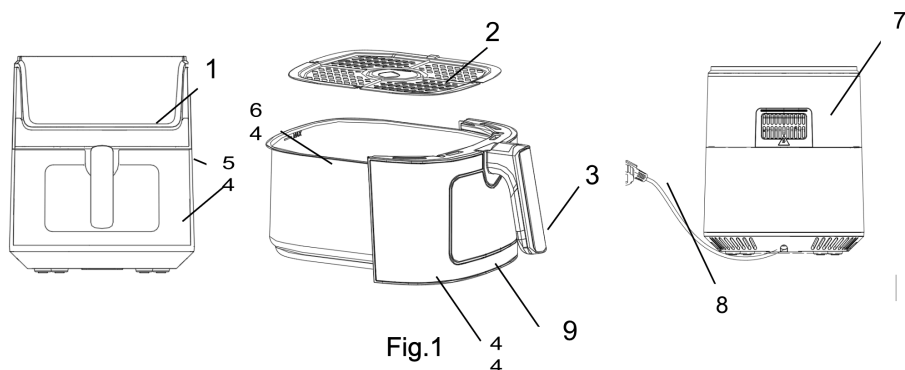


Fig.2

1	Tauler de visualització
2	Reixeta
3	Mànec
4	Carcassa de la cistella
5	Cos principal
6	Cistella de fregir
7	Sortida d'aire
8	Cable principal (cable elèctric)
9	Finestra visible

## IMPORTANT

### PERILL

- Aquest aparell el poden utilitzar nens a partir dels 8 anys i persones amb capacitats físiques, sensorials o mentals reduïdes o amb manca d'experiència i coneixements si han rebut supervisió o instruccions sobre l'ús de l'aparell de manera segura i amb consciència dels perills que implica. Els nens no han de jugar amb l'aparell. La neteja i el manteniment per part de l'usuari no l'han de dur a terme nens, tret que tinguin més de 8 anys i estiguin supervisats.

- Mantingueu l'aparell i el cable fora de l'abast dels nens menors de 8 anys.

- No submergeixi mai el cos principal de l'aparell sota l'aigua ni l'esbandiu sota l'aixeta, ja que conté els components elèctrics i d'escalfament.

- No deixeu entrar aigua o altres líquids a l'aparell per evitar descàrregues elèctriques.

- Poseu sempre a la cistella els ingredients a fregir, per evitar que entrin en contacte amb els elements de calefacció.

- No tapeu l'entrada d'aire i les obertures d'aire exteriors mentre l'aparell està en funcionament.

- No ompliu la cistella amb oli, ja que això pot provocar risc d'incendi.

- No toqueu mai l'interior de l'aparell mentre estigui en funcionament.

La temperatura de les superfícies accessibles pot ser alta quan l'aparell està en funcionament.



## ADVERTIMENT

- Comproveu si la tensió que indica l'aparell s'ajusta a la tensió de la xarxa local.
- No utilitzeu l'aparell si l'endoll, el cable d'alimentació o altres peces s'han fet malbé.
- No recorreu a cap persona no autoritzada per substituir o arreglar el cable principal si es fa malbé.
- Mantingueu el cable d'alimentació lluny de superfícies calentes.
- No endolleu l'aparell ni utilitzeu el tauler de control amb les mans mullades.
- No col·loqueu l'aparell contra una paret ni contra altres aparells. Deixeu, com a mínim, 10 cm d'espai lliure a la part posterior i als laterals, i deixeu-ne 10 cm per sobre.
- No col·loqueu res a sobre de l'aparell.
- No utilitzeu l'aparell per a propòsits diferents dels que descriu aquest manual.
- No deixeu l'aparell funcionant sense vigilància.
- Durant el fregit amb aire, s'allibera vapor calent per les obertures de sortida d'aire. Mantingueu les mans i la cara a una distància segura del vapor i de les obertures de sortida d'aire.
- També aneu amb compte amb el vapor i l'aire calents quan traieu la cistella de l'aparell.
- Qualsevol superfície accessible es pot escalfar durant l'ús (Fig.2)
- Desendolleu immediatament l'aparell si veieu que en surt fum fosc. Espereu que s'aturi l'emissió de fum abans de treure la cistella de l'aparell.

## PRECAUCIÓ

- Assegureu-vos que l'aparell estigui col·locat sobre una superfície horitzontal, plana i estable.
- Aquest aparell està dissenyat només per a ús domèstic. És possible que no sigui adequat per utilitzar-lo de manera segura en entorns com ara cuines de personal, allotjaments rurals, motels i altres entorns no residencials. Tampoc no està pensat per ser utilitzat pels clients a hotels, motels, pensions i altres entorns residencials.
- Si l'aparell s'utilitza de manera inadequada o amb finalitats professionals o semiprofessionals o no s'utilitza segons les instruccions del manual d'usuari, la garantia es quedarà sense efecte i podríem denegar qualsevol responsabilitat pels danys causats.
- Desconnecteu sempre l'aparell mentre no l'utilitzeu.
- L'aparell necessita uns 30 minuts per refredar-se i que es pugui tocar i netejar amb seguretat.

## ABANS DEL PRIMER ÚS

---

1. Traieu tots els materials d'embalatge.
2. Retireu qualsevol adhesiu o etiqueta de l'aparell.
3. Netegeu a fons la cistella i la reixeta amb aigua calenta, una mica de sabó rentavaixelles i una esponja no abrasiva.
4. Netegeu l'interior i l'exterior de l'aparell amb un drap humit.

**Aquesta fregidora sense oli funciona amb aire calent. No ompliu la cistella amb oli ni greix per fregir directament.**

**Avis: Quan la fregidora d'aire s'escalfa per primera vegada, pot fer una olor o un fum lleugers. Això és normal amb molts aparells per escalfar. No afecta la seguretat de l'aparell.**



# PREPARACIÓ PER A L'ÚS

1 Col·loqueu l'aparell sobre una superfície estable, horitzontal i uniforme.

**No col·loqueu l'aparell sobre superfícies no resistents a la calor.**

2 Col·loqueu la reixeta a la cistella.

**No ompliu la cistella amb oli ni amb cap altre líquid.**

**No poseu res a sobre de l'aparell: el flux d'aire es veuria interromput i afectaria el resultat del procés de fregit.**

## ÚS DE L'APARELL

Aquesta fregidora sense oli pot cuinar una gran varietat d'ingredients.

### Fregir amb aire calent

1. Connecteu l'endoll a un endoll amb presa de terra.

2. Traieu amb cura la cistella de la fregidora d'aire.

3. Poseu els ingredients a la cistella.

4. Torneu a col·locar la cistella a la fregidora d'aire calent.

Tingueu en compte que s'ha d'alinear amb cura amb les guies a l'interior de la fregidora.

**No utilitzeu mai la cistella sense la reixeta.**

**Precaució: No toqueu la cistella durant i després del seu ús, ja que s'escalfa molt. Recordeu agafar sempre la cistella pel mànec.**

5. Determineu el temps de preparació necessari per als ingredients (vegeu la secció «Configuració» d'aquest capítol).

6. Alguns ingredients requereixen sacsejar la cistella a mitjans del temps de cocció (vegeu la secció «Configuració» d'aquest capítol). Per sacsejar els ingredients, heu de treure la cistella de l'aparell per mànec i sacsejar-la. A continuació, torneu a introduir-la a la fregidora d'aire.

**Precaució: No premeu el botó del mànec mentre sacsegeu.**

Consell: Si configureu el temporitzador a mitjans del temps de cocció, sentireu el timbre del temporitzador quan hàgiu de sacsejar els ingredients. Tanmateix, això significa que heu de tornar a configurar el temporitzador amb el temps de preparació restant després de sacsejar.

7. Quan senti el timbre del temporitzador, que indica que ha transcorregut el temps de cocció establert, traieu la cistella de l'aparell.

Consell: Podeu ajustar la temperatura o el temps com vulgueu durant el seu ús. La vostra configuració es mantindrà durant aproximadament un minut després de treure la cistella del cos de l'aparell.

8. Comproveu si els ingredients estan fets o no.

Si els ingredients encara no estan fets, només cal que torneu la cistella a l'aparell i afegiu al temporitzador uns minuts addicionals.

9. Per treure els ingredients (p. ex. patates fregides), traieu la cistella de la fregidora d'aire.

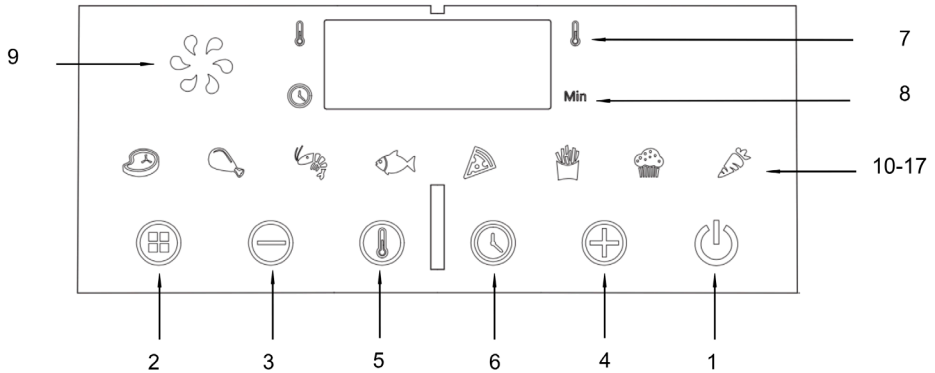
**No gireu la cistella cap per avall amb la reixeta encara posada, ja que l'excés d'oli que s'hagi acumulat al fons de la cistella es filtrarà als ingredients.**

**La cistella i els ingredients estaran calents i pot sortir vapor de la cistella segons el tipus d'ingredients que hagi cuinat la fregidora.**

10. Buida la cistella en un bol o en un plat.

11. Després de cuinar una ració d'ingredients, la fregidora estarà a punt per cuinar-ne una altra immediatament.

## INSTRUCCIONS DEL PANEL DE CONTROL



### INSTRUCCIONS DE FUNCIONAMENT:

- Botó 1 Botó d'encesa

Un cop la cistella estigui col·locada correctament dins de l'aparell, s'il·luminarà el llum d'encesa. Si premeu el botó d'encesa durant 3 segons, la temperatura predeterminada de l'aparell serà de 200, mentre que el temps de cocció s'establirà en 15 minuts. Si premeu el botó d'encesa una segona vegada, s'iniciarà el procés de cocció. Premeu el botó d'encesa durant 3 segons per apagar el dispositiu durant la cocció. Apareixerà «OFF» a la pantalla. 20 segons després, la llum «OFF» s'apagarà, el ventilador deixarà de funcionar, i el dispositiu es parará totalment.

Nota: Durant la cocció, podeu tocar els botons per controlar la parada i l'inici de la cocció.

- Botó 2 Botó de coccions predefinides

Si seleccioneu el botó de preset , podreu escollir entre 8 opcions de cocció freqüents. Un cop seleccionada l'opció, es posarà en marxa el temps i la temperatura de cocció predeterminada.

- Botó i botó – Botons de disminució i augment del temporitzador/control de temperatura

Si premeu el botó 5 Els símbols del botó 3 i el botó 4 permeten augmentar o disminuir la temperatura de cocció de 5 en **5°C**. Si manteniu el botó premut, la temperatura canviarà ràpidament. Interval de control de temperatura: 80°C– 200°C.

Si premeu el botó 6 Els símbols del botó 3 i el botó 4 permeten augmentar o reduir el temps de cocció, de minut en minut. Si manteniu el botó premut, el temps canviarà ràpidament.

- Botó 7 i 8 **Min** – indicadors de temperatura/temporitzador

Llum indicador "9" - Indicador del ventilador

Llum indicador "10-17" - Indicador de recepta

# CONFIGURACIÓ



La taula següent us ajudarà a seleccionar la configuració bàsica dels ingredients.

Nota: Tingueu en compte que aquests paràmetres són indicacions. Com que els ingredients varien en origen, mida, forma i marca, no podem garantir la millor configuració per als vostres ingredients.

Com que la tecnologia «Rapid Air» reescalfa instantàniament l'aire de l'interior a l'aparell, treu-re'n breument la **cistella** durant el fregit amb aire pràcticament no pertorba el procés.

## Consells

Els ingredients més petits solen tenir un temps de preparació una mica més curt que els ingredients més grans.

Una quantitat d'ingredients més gran només requereix un temps de preparació una mica més llarg, i una quantitat més petita només requereix un temps de preparació una mica més curt.

Sacsejar els ingredients més petits a mitjans del temps de cocció optimitza el resultat final i evitar que els ingredients quedin fregits de manera desigual.

Afegiu una mica d'oli a les patates fresques per obtenir un resultat cruixent. Fregiu els ingredients a la fregidora d'aire en pocs minuts després d'afegir-hi l'oli.

No cuineu ingredients massa grassos, com ara salsitxes, a la fregidora d'aire.

Els snacks que es poden fer al forn també es poden fer a la fregidora d'aire

La quantitat òptima de patates per fer patates fregides cruixents són 500 grams.

Utilitzeu massa ja feta per preparar snacks farcits de manera ràpida i senzilla. La massa ja feta també requereix un temps de preparació més curt que una massa casolana.

Col·loqueu un motlle o una safata de forn a la cistella de la fregidora d'aire si voleu fer un pastís, una quiche o si voleu fregir ingredients fràgils o farcits.

També podeu utilitzar la fregidora d'aire per reescalfar els ingredients. Per reescalfar, ajusteu la temperatura a 150°C durant un màxim de 10 minuts.

Ingredients	Quantitat mínima-màxima (g)	Temps (min)	Temperatura (°C)	Sacseig	Informació addicional
<b>Bistec</b>	100-400	16-20	180		
<b>Cuixes de pollastre</b>	100-400	25-28	180		
<b>Gamba</b>	100-400	12-15	180		
<b>Peix</b>	100-400	18-20	180		
<b>Pizza</b>	100-400	20-22	200		
<b>Patates fregides congelades</b>	100-400	17-20	200	Sacseig	
<b>Pastís</b>	100-400	17-19	160		
<b>Verdures</b>	100-400	15-18	160		

Nota: Afegiu 3 minuts al temps de cocció si comenceu a fregir i la fregidora d'aire encara està freda.



## NETEJA

---

Netegeu l'aparell després de cada ús.

**La cistella i la reixeta antiadherent. No utilitzeu estris de cuina metàl·lics ni materials de neteja abrasius per netejar-los, ja que es podria danyar el recobriment antiadherent.**

1 Traieu l'endoll de la presa de corrent i deixeu que l'aparell es refredi.

Nota: Traieu la cistella perquè la fregidora d'aire es refredi més ràpidament.

2 Netegeu l'exterior de l'aparell amb un drap humit.

3 Netegeu la cistella i la reixeta amb aigua calenta, una mica de sabó rentavaixelles i una esponja no abrasiva.

Podeu utilitzar sabó desgreixant per eliminar la brutícia que quedi.

Consell: Si hi ha brutícia a la reixeta o al fons de la cistella, ompliu la cistella amb aigua calenta i una mica de sabó rentavaixelles. Poseu la reixeta a la cistella i deixeu que es remullin durant uns 10 minuts.

4 Netegeu l'interior de l'aparell amb aigua calenta i una esponja no abrasiva.

5 Netegeu l'element calefactor amb un raspall de neteja per eliminar qualsevol residu de menjar.

## EMMAGATZEMATGE

---

1 Desendolieu l'aparell i deixeu-lo refredar.

2 Assegureu-vos que totes les peces estiguin netes i seques.

## MEDI AMBIENT

---

No llenceu l'aparell amb els residus domèstics normals quan deixi de funcionar: heu de portar-lo a un punt de recollida oficial perquè el reciclin. En fer això, ajudeu a preservar el medi ambient.

## GARANTIA I SERVEI

---

Si necessiteu ajuda o informació, o si teniu algun problema, poseu-vos en contacte amb el vostre centre de servei autoritzat local.

## ELIMINACIÓ CORRECTA D'AQUEST PRODUCTE

---



Aquesta marca indica que aquest producte no s'ha de llençar amb altres residus domèstics a la UE. Per evitar possibles danys al medi ambient o a la salut humana per l'eliminació incontrolada de residus, recicla'l de manera responsable per promoure la reutilització sostenible dels recursos materials. Per retornar un dispositiu usat, utilitzeu els sistemes de devolució i de recollida o poseu-vos en contacte amb l'establiment minorista on es va adquirir el producte. Poden fer-se càrrec de reciclar l'aparell de manera segura per al medi ambient.

Problema	Possible causa	Solució
La fregidora d'aire no funciona.	L'aparell no està endollat.	Connecteu l'endoll a una presa de connexió amb presa de terra.
	No heu configurat el temporitzador.	Fent servir el botó indicat, ajusteu el temporitzador al temps de preparació necessari per encendre l'aparell.
Els ingredients fregits amb la fregidora d'aire no estan fets	La cistella està massa plena.	Poseu menys ingredients a la cistella. Les racions més petites es fregeixen de manera més uniforme.
	La temperatura configurada és massa baixa.	Fent servir el botó indicat, establiu la temperatura amb la configuració desitjada (vegeu la secció «Configuració» al capítol «Ús de l'aparell»).
	El temps de preparació és massa curt.	Ajusteu el temporitzador al temps de preparació requerit (vegeu la secció «Configuració» al capítol «Ús de l'aparell»).
Els ingredients es fregeixen de manera desigual a la fregidora d'aire.	Alguns ingredients s'han de socsejar a mitjans del temps de preparació.	Els ingredients que es col·loquin els uns sobre els altres (p. ex. patates fregides) s'han de socsejar a mitjans del temps de preparació. Vegeu la secció «Configuració» al capítol «Ús de l'aparell».
Els snacks fregits no estan cruixents quan surten de la fregidora.	Heu utilitzat un tipus de snacks destinats a ser preparats amb una fregidora tradicional.	Utilitzeu snacks al forn o poseu una mica d'oli sobre els snacks per obtenir un resultat més cruixent.
No puc introduir correctament la cistella a l'aparell.	La cistella està massa plena.	No ompliu la cistella més enllà de la indicació «MAX».
	La reixeta no està col·locada correctament a la cistella.	Empenyeu la reixeta cap al fons de la cistella, fins que no es pugui moure més.
Surt fum blanc de l'aparell.	Esteu cuinant ingredients grassos.	Quan fregiu ingredients grassos a la fregidora d'aire, una gran quantitat d'oli es filtrarà a la cistella. L'oli produeix un fum blanc i la cistella pot escalfar-se més de l'habitual. Això no afecta l'aparell ni el resultat final.
	La cistella conté residus de greix de l'ús anterior.	El fum blanc es produeix per l'escalfament del greix a la cistella. Assegureu-vos de netejar la cistella correctament després de cada ús.
Les patates fregides fresques es fregeixen de manera desigual a la fregidora d'aire.	No heu utilitzat el tipus de patata adequat.	Utilitzeu patates fresques i assegureu-vos que es mantinguin senceres durant el fregit.
	No heu rentat bé els bastonets de patata abans de fregir-los.	Esbandiu bé els bastonets de patata per eliminar-ne el midó exterior.
Les patates fregides fresques no estan cruixents quan surten de la fregidora.	El nivell de cruixent de les patates fregides depèn de la quantitat d'oli i aigua de les patates fregides.	Assegureu-vos d'assecar bé els bastonets de patata abans d'afegir l'oli.
		Talleu els bastonets de patata més petits per obtenir un resultat més cruixent.
		Afegiu-hi una mica més d'oli per obtenir un resultat més cruixent.



FR

## FRITEUSE À AIR CHAUD

### INSTRUCTIONS D'UTILISATION ET DE SÉCURITÉ

MODÈLE N° : ORIFRYWI6,5L-IN

#### POUR USAGE INTÉRIEUR ET DOMESTIQUE UNIQUEMENT

#### CONSERVEZ CES INSTRUCTIONS

Cet appareil n'est pas destiné à être utilisé dans des applications domestiques et similaires telles que :

- les espaces cuisine du personnel dans les magasins, bureaux et autres lieux de travail ;
- les fermes ;
- par des clients dans des hôtels, motels et autres environnements de type résidentiel ;
- chambres d'hôtes et lieux similaires.

## INDEX

MISE EN GARDE IMPORTANTES	24
INTRODUCTION	24
DESCRIPTION GÉNÉRALE	25
IMPORTANT	25
AVANT LA PREMIÈRE UTILISATION	26
PRÉPARATION À L'UTILISATION	27
UTILISATION DE L'APPAREIL	27
INSTRUCTIONS DU PANNEAU DE COMMANDE	28
RÉGLAGES	29
NETTOYAGE	30
STOCKAGE	30
ENVIRONNEMENT	30
GARANTIE ET RÉPARATION	30
ÉLIMINATION CORRECTE DE CE PRODUIT	30
DÉPANNAGE	31

VEUILLEZ LIRE ATTENTIVEMENT CE MANUEL AVANT D'UTILISER L'APPAREIL ET CONSERVEZ-LE POUR UNE RÉFÉRENCE FUTURE.



## MISE EN GARDE IMPORTANTES

Lors de l'utilisation d'appareils électriques, des précautions de sécurité de base doivent toujours être suivies, notamment les suivantes :

1. Lisez toutes les instructions.
2. Ne touchez pas les surfaces chaudes.
3. Pour vous protéger contre les chocs électriques, ne plongez pas le cordon, les fiches ou la base dans l'eau ou tout autre liquide.
4. **AVERTISSEMENT** : Cet appareil électrique contient une fonction de chauffage. Les surfaces, même les surfaces non fonctionnelles, peuvent atteindre des températures élevées. Étant donné que les températures sont perçues différemment par différentes personnes, cet appareil doit être utilisé avec PRUDENCE. L'appareil ne doit être touché qu'au niveau des poignées et des surfaces de préhension prévues à cet effet, avec une protection thermique comme des gants ou similaire. Les surfaces autres que les surfaces de préhension prévues à cet effet doivent avoir refroidi assez longtemps avant d'être touchées.
5. Débrancher l'appareil de la prise lorsqu'il n'est pas utilisé et avant le nettoyage. Laisser refroidir avant de mettre ou d'enlever des pièces.
6. Si le cordon d'alimentation est endommagé, il doit être remplacé par le fabricant, son agent de réparation ou des personnes à qualification similaire afin d'éviter tout danger.
7. L'utilisation d'accessoires non recommandés par le fabricant de l'appareil peut provoquer des blessures.
8. Ne pas utiliser à l'extérieur.
9. Ne pas laisser le cordon pendre du bord de la table ou du comptoir, car il pourrait entrer en contact avec une surface chaude.
10. Ne pas placer l'appareil sur ou à proximité d'une cuisinière à gaz ou électrique, ni dans un four chauffé.
11. Une extrême prudence doit être prise lors du déplacement d'un appareil contenant de l'huile chaude ou d'autres liquides.
12. Toujours brancher d'abord la fiche à l'appareil, puis le cordon dans la prise murale. Pour le débrancher, éteindre n'importe quelle commande, puis retirer la fiche de la prise murale.
13. Ne pas utiliser l'appareil à des fins autres que celles prévues.
14. Cet appareil peut être utilisé par des enfants âgés de 8 ans et plus et par des personnes dont les capacités physiques, sensorielles ou mentales sont réduites ou qui manquent d'expérience et de connaissances, à condition qu'ils aient reçu une supervision ou des instructions concernant l'utilisation de l'appareil en toute sécurité et qu'ils comprennent les risques encourus. Les enfants ne doivent pas jouer avec l'appareil. Le nettoyage et l'entretien par l'utilisateur ne doivent pas être effectués par des enfants, sauf s'ils ont plus de 8 ans et sont supervisés.
15. Garder l'appareil et son cordon hors de portée des enfants de moins de 8 ans.
16. Les appareils ne sont pas destinés à être actionnés au moyen d'une minuterie externe ou d'un système de télécommande indépendant.

## INTRODUCTION

Cette friteuse à air chaud offre un moyen simple et sain de préparer vos ingrédients préférés. Grâce à une circulation rapide d'air chaud et à un grill supérieur, elle est capable de préparer de nombreux plats. Le meilleur, c'est que la friteuse à air chaud chauffe les aliments dans toutes les directions et que la plupart des ingrédients n'ont pas besoin d'huile.

-----Tension :220-240V~50Hz

-----Puissance :1700 Watts

-----Capacité avec grille : 6,5 litres

-----Température réglable : 80°C-200°C

-----Minuterie (0-60 min)

# DESCRIPTION GÉNÉRALE (FIG.1)

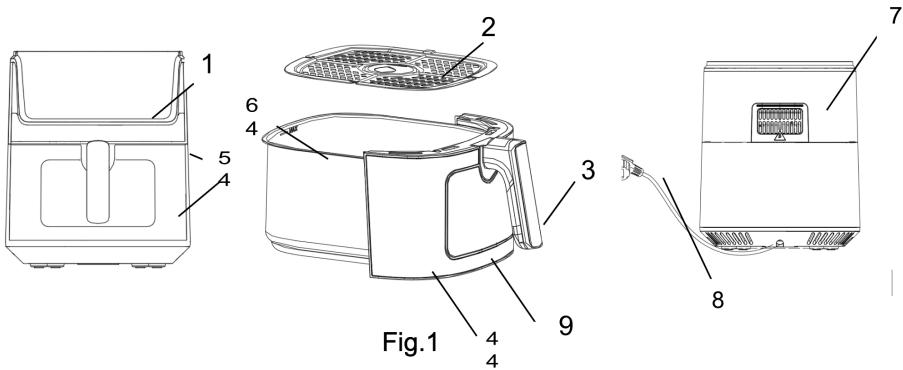


Fig.2

1	Panneau d'affichage
2	Grille
3	Poignée
4	Couvercle de la cuve
5	Logement principal
6	Cuve de friture
7	Sortie d'air
8	Cordon d'alimentation (cordon électrique)
9	Glace de regard

## IMPORTANT

### DANGER

Cet appareil peut être utilisé par des enfants âgés de 8 ans et plus et par des personnes dont les capacités physiques, sensorielles ou mentales sont réduites ou qui manquent d'expérience et de connaissances, à condition qu'elles aient reçu une supervision ou des instructions concernant l'utilisation de l'appareil en toute sécurité et qu'elles comprennent les risques encourus. Les enfants ne doivent pas jouer avec l'appareil. Le nettoyage et l'entretien par l'utilisateur ne doivent pas être effectués par des enfants, sauf s'ils ont plus de 8 ans et sont supervisés.

- Gardez l'appareil et son cordon hors de portée des enfants de moins de 8 ans.
- Ne jamais plonger le boîtier contenant les composants électriques et les éléments chauffants dans l'eau ni le rincer sous le robinet.
- Ne laissez pas d'eau ou tout autre liquide pénétrer dans l'appareil pour éviter les chocs électriques.
- Mettez toujours les ingrédients à frire dans le panier, pour éviter qu'ils n'entrent en contact avec les éléments chauffants.
- Ne couvrez pas l'entrée d'air et les ouvertures d'air extérieures pendant le fonctionnement de l'appareil.
- Ne pas remplir la cuve d'huile car cela pourrait entraîner un risque d'incendie.
- Ne touchez jamais l'intérieur de l'appareil pendant son fonctionnement.

La température des surfaces accessibles peut être élevée lorsque l'appareil est en marche.



## AVERTISSEMENT

- Vérifiez si la tension indiquée sur l'appareil correspond à la tension du secteur local.
- N'utilisez pas l'appareil si la fiche, le cordon d'alimentation ou d'autres pièces sont endommagés.
- Ne faites pas appel à une personne non autorisée pour remplacer ou réparer le cordon d'alimentation endommagé.
- Gardez le cordon d'alimentation à l'écart des surfaces chaudes.
- Ne branchez pas l'appareil et n'utilisez pas le panneau de commande avec les mains mouillées.
- Ne placez pas l'appareil contre un mur ou contre d'autres appareils. Laissez au moins 10 cm d'espace libre à l'arrière, sur les côtés et au-dessus de l'appareil.  
Ne placez rien sur l'appareil.
- N'utilisez pas l'appareil à d'autres fins que celles décrites dans ce manuel.
- Ne laissez pas l'appareil fonctionner sans surveillance.
- Pendant la friture à air chaud, de la vapeur chaude s'échappe par les ouvertures de sortie d'air. Gardez vos mains et votre visage à une distance sûre de la vapeur et des ouvertures de sortie d'air.  
Faites également attention à la vapeur et à l'air chauds lorsque vous retirez la cuve de l'appareil.
- Toutes les surfaces accessibles peuvent devenir chaudes pendant l'utilisation (Fig.2)
- Débranchez immédiatement l'appareil si vous voyez de la fumée noire sortir de l'appareil. Attendez que l'émission de fumée cesse avant de retirer la cuve de l'appareil.

## ATTENTION

- Assurez-vous que l'appareil est placé sur une surface horizontale, plane et stable.
- Cet appareil est conçu pour un usage domestique uniquement. Il peut ne pas être utilisé en toute sécurité dans des environnements tels que les cuisines pour personnel, les fermes, les motels et autres environnements non résidentiels. Il n'est pas non plus destiné à être utilisé par les clients des hôtels, motels, chambres d'hôtes et autres environnements résidentiels.
- Si l'appareil est utilisé de manière inappropriée ou à des fins professionnelles ou semi-professionnelles, ou s'il n'est pas utilisé conformément aux instructions du manuel d'utilisation, la garantie devient nulle et nous pourrions refuser toute responsabilité pour les dommages causés.
- Débranchez toujours l'appareil lorsqu'il n'est pas utilisé.
- L'appareil a besoin d'environ 30 minutes pour refroidir et pouvoir être manipulé ou nettoyé en toute sécurité.

## AVANT LA PREMIÈRE UTILISATION

1. Retirez tous les matériaux d'emballage.
2. Retirez tous les autocollants ou étiquettes de l'appareil.
3. Nettoyez soigneusement la cuve et la grille à l'eau chaude, un peu de liquide vaisselle et une éponge non abrasive.
4. Essuyez l'intérieur et l'extérieur de l'appareil avec un chiffon humide.

**Ceci est une friteuse sans huile qui fonctionne à l'air chaud. Ne remplissez pas directement la cuve avec de l'huile ou de la graisse de friture.**

**Avis : Lorsque votre friteuse à air chauffe pour la première fois, elle peut émettre une légère fumée ou une odeur. Ceci est normal avec de nombreux appareils chauffants. Cela n'affecte pas la sécurité de votre appareil.**

# PRÉPARATION À L'UTILISATION

---

1 Placez l'appareil sur une surface stable, horizontale et plane.

**Ne placez pas l'appareil sur une surface non résistante à la chaleur.**

2 Placer la grille dans la cuve.

**Ne pas remplir la cuve avec de l'huile ou tout autre liquide.**

**Ne posez rien sur l'appareil : le flux d'air en serait perturbé et cela affecterait le résultat de la friture à air chaud.**

## UTILISATION DE L'APPAREIL

---

La friteuse sans huile peut préparer une large gamme d'ingrédients.

### Friture à air chaud

1. Branchez la fiche secteur dans une prise murale mise à la terre.

2. Retirez délicatement la cuve de la friteuse à air chaud.

3. Mettre les ingrédients dans la cuve de friture.

4. Remettez la cuve dans la friteuse à air chaud.

En veillant à l'aligner soigneusement avec les guides du corps de la friteuse.

**N'utilisez jamais la cuve sans la grille.**

**Attention : Ne pas toucher la cuve de friture pendant et après utilisation, car elle devient très chaude. Toujours tenir la cuve de friture par la poignée.**

5. Déterminez le temps de préparation requis pour les ingrédients (voir la section « Réglages » dans ce chapitre).

6. Certains ingrédients nécessitent d'être remués à mi-cuisson (voir la section « Réglages » de ce chapitre). Pour remuer les ingrédients, retirez la cuve de l'appareil en la tenant par la poignée, et la secouer. Ensuite, remettez la cuve dans la friteuse à air chaud.

**Attention : N'appuyez pas sur le bouton de la poignée pendant que vous remuez.**

Conseil : Si vous réglez la minuterie sur la moitié du temps de préparation, vous entendrez le signal sonore de la minuterie lorsque vous devez remuer les ingrédients. Cependant, cela signifie que vous devez régler à nouveau la minuterie sur le temps de préparation restant après avoir remué.

7. Lorsque vous entendez le signal sonore de la minuterie, qui indique que le temps de préparation réglé s'est écoulé, retirez la cuve de friture de l'appareil.

Conseil : Vous pouvez régler la température ou le temps selon vos goûts pendant l'utilisation. Vos réglages seront conservés pendant environ une minute après avoir retiré la cuve du corps.

8. Vérifiez si les ingrédients sont prêts ou non.

Si les ingrédients ne sont pas encore prêts, remettez simplement la cuve dans l'appareil et ajoutez quelques minutes sur la minuterie.

9. Pour retirer des ingrédients (par exemple des frites), retirez la cuve de la friteuse à air chaud et placez-la sur le support d'essai.

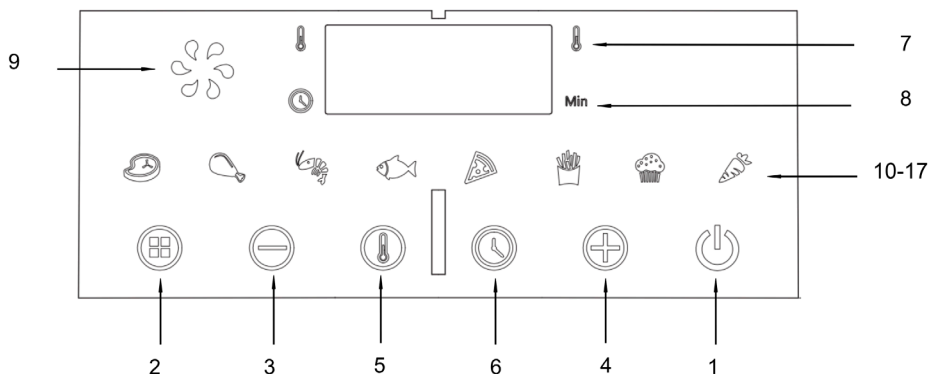
**Ne pas retourner la cuve avec la grille encore fixé, car tout excès d'huile accumulé au fond de la cuve coulera sur les ingrédients.**

**La cuve et les ingrédients sont chauds, de la vapeur peut s'échapper de la cuve selon le type d'ingrédients dans la friteuse à air chaud.**

10. Videz le panier dans un saladier ou sur une assiette.

11. Lorsqu'un lot d'ingrédients est prêt, la friteuse à air chaud est instantanément prête à préparer un autre lot.

## INSTRUCTIONS DU PANNEAU DE COMMANDE





### INSTRUCTIONS D'UTILISATION :

- Touche 1  – Touche Marche/Arrêt


Une fois le panier et la cuve correctement positionnés dans le boîtier principal, le voyant lumineux d'alimentation s'allumera. Si vous appuyez sur la touche Marche/Arrêt pendant 3 secondes, la température par défaut de l'appareil sera de 200, tandis que le temps de cuisson sera réglé sur 15 minutes. Si vous appuyez sur la touche Marche/Arrêt une deuxième fois, le processus de cuisson démarrera. Appuyez sur la touche Marche/Arrêt pendant 3 secondes pour fermer l'ensemble de l'appareil pendant la cuisson. « OFF » s'affichera à l'écran. Le voyant « OFF » s'éteint et le ventilateur cesse de fonctionner 20 secondes plus tard et l'ensemble de l'appareil cesse totalement de fonctionner.

Remarque : Pendant la cuisson, vous pouvez appuyer sur les touches pour contrôler la pause et le début de la cuisson.


- Touche 2  – Touche pré-réglage

La touche pré-réglage «  » vous permet de faire défiler les 8 possibilités d'aliments populaires. Une fois sélectionnée, la fonction de temps et de température de cuisson prédéterminés commence.

- Touche  et touche  – Touches de diminution et d'augmentation de la minuterie/température

Sélection de la touche 5 «  » Les symboles de la touche 3 et de la touche 4 vous permettent d'augmenter ou de diminuer la température de cuisson de **5°C** à la fois. Maintenez la touche enfoncée pour changer rapidement la température. Plage de contrôle de la température :

80°C-200 °C.

Sélection de la touche 6 «  » Les symboles de la touche 3 et de la touche 4 permettent d'augmenter ou de diminuer le temps de cuisson d'une minute à la fois. Maintenez la touche enfoncée pour changer rapidement l'heure.

- Touche 7  et 8 **Min** – Voyants Température/Minuterie

Voyant lumineux « 9 » – Voyant du ventilateur

Voyants lumineux « 10 à 17 » – Voyant de recette

# RÉGLAGES

Le tableau ci-dessous vous aidera à sélectionner les réglages de base pour les ingrédients.

Remarque : Ayez à l'esprit que ces réglages sont des indications. Comme les ingrédients diffèrent par leur origine, leur taille, leur forme ainsi que leur marque, nous ne pouvons pas garantir le meilleur réglage pour vos ingrédients.

Comme la technologie Rapid Air réchauffe instantanément l'air à l'intérieur de l'appareil, retirer brièvement la **cuve** de l'appareil pendant la friture ne perturbe pratiquement pas le processus.

Conseils

Les ingrédients de petite taille nécessitent généralement un temps de préparation légèrement plus court que les ingrédients de grande taille.

Une plus grande quantité d'ingrédients ne nécessite qu'un temps de préparation légèrement plus long, une plus petite quantité d'ingrédients ne nécessite qu'un temps de préparation légèrement plus court.

Secouer les ingrédients plus petits à mi-cuisson optimise le résultat final et peut aider à éviter des ingrédients frits de manière inégale.

Ajoutez un peu d'huile aux pommes de terre fraîches pour un résultat croustillant. Faites frire vos ingrédients dans la friteuse à air chaud dans les quelques minutes après avoir ajouté l'huile.

Ne préparez pas d'ingrédients extrêmement gras tels que des saucisses dans la friteuse à air chaud.

Les collations pouvant être préparées au four peuvent également être préparées dans la friteuse à air chaud

La quantité optimale pour préparer des frites croustillantes est de 500 grammes.

Utilisez de la pâte préfabriquée pour préparer des collations fourrées rapidement et facilement. La pâte préfabriquée nécessite également un temps de préparation plus court que la pâte faite maison.

Placez un moule ou un plat à four dans le panier de la friteuse à air chaud si vous souhaitez faire cuire un gâteau ou une quiche, ou si vous souhaitez frire des ingrédients fragiles ou fourrés.

Vous pouvez également utiliser la friteuse à air chaud pour réchauffer des ingrédients. Pour réchauffer les ingrédients, réglez la température sur 150°C pendant 10 minutes maximum.

Ingrédients	Montant min.-max. (g)	Temps (min)	Température (°C)	Remuer	Informations supplémentaires
<b>Steak</b>	100-400	16-20	180		
<b>Pilons de poulet</b>	100-400	25-28	180		
<b>Crevettes</b>	100-400	12-15	180		
<b>Poisson</b>	100-400	18-20	180		
<b>Pizza</b>	100-400	20-22	200		
<b>Frites surgelées</b>	100-400	17-20	200	remuer	
<b>Gâteau</b>	100-400	17-19	160		
<b>Légumes</b>	100-400	15-18	160		

Remarque : Ajoutez 3 minutes au temps de préparation lorsque vous démarrez la friture lorsque la friteuse à air chaud est encore froide.

## NETTOYAGE

Nettoyez l'appareil après chaque utilisation.

**La cuve et la grille antiadhésive. N'utilisez pas d'ustensiles de cuisine en métal ou de produits de nettoyage abrasifs pour les nettoyer, car cela pourrait endommager le revêtement antiadhésif.**

1 Retirez la fiche secteur de la prise murale et laissez l'appareil refroidir.

Remarque : Retirez la cuve pour permettre à la friteuse à air chaud de refroidir plus rapidement.

2 Essuyez l'extérieur de l'appareil avec un chiffon humide.

3 Nettoyer la cuve et la grille avec de l'eau chaude, un peu de liquide vaisselle et une éponge non abrasive.

Vous pouvez utiliser du liquide dégraissant pour éliminer la saleté restante.

Conseil : Si de la saleté est collée à la grille ou au fond de la cuve, remplir la cuve d'eau chaude avec un peu de liquide vaisselle. Mettre la grille dans la cuve et laisser tremper pendant environ 10 minutes.

4 Nettoyez l'intérieur de l'appareil avec de l'eau chaude et une éponge non abrasive.

5 Nettoyez l'élément chauffant avec une brosse de nettoyage pour éliminer tout résidu alimentaire.

## STOCKAGE

1 Débranchez l'appareil et laissez-le refroidir.

2 Assurez-vous que toutes les pièces sont propres et sèches.

## ENVIRONNEMENT

Ne jetez pas l'appareil avec les ordures ménagères normales une fois qu'il est épuisé, mais remettez-le à un point de collecte officiel pour le recyclage. Vous contribuez ainsi à préserver l'environnement.

## GARANTIE ET RÉPARATION

Si vous avez besoin d'une réparation ou d'informations, ou si vous avez un problème, veuillez contacter votre centre de service agréé local.

## ÉLIMINATION CORRECTE DE CE PRODUIT



Ce marquage indique que ce produit ne doit pas être jeté avec les ordures ménagères dans toute l'UE. Pour éviter d'éventuels dommages à l'environnement ou à la santé humaine dus à une élimination incontrôlée des déchets, recyclez-les de manière responsable afin de promouvoir la réutilisation durable des ressources matérielles. Pour retourner votre appareil usagé, veuillez utiliser les systèmes de retour et de collecte ou contacter le détaillant où le produit a été acheté. Ils peuvent apporter ce produit pour un recyclage sans danger pour l'environnement.

# DÉPANNAGE

Problème	Cause possible	Solution
La friteuse à air chaud ne fonctionne pas.	L'appareil n'est pas branché.	Branchez la fiche secteur dans une prise murale reliée à la terre.
	Vous n'avez pas réglé la minuterie.	Réglez la touche minuterie sur le temps de préparation souhaité pour allumer l'appareil.
Les ingrédients frits avec la friteuse à air ne sont pas cuits.	La quantité d'ingrédients dans le panier est trop importante.	Mettez de plus petites quantités d'ingrédients dans le panier. Les lots plus petits sont frits de manière plus uniforme.
	La température réglée est trop basse.	Réglez la touche température sur la température souhaitée (voir la section « Réglages » du chapitre « Utilisation de l'appareil »).
	Le temps de préparation est trop court.	Réglez la minuterie sur le temps de préparation souhaité (voir la section « Réglages » du chapitre « Utilisation de l'appareil »).
Les ingrédients sont frits de manière inégale dans la friteuse à air.	Certains types d'ingrédients doivent être remués à mi-cuisson.	Les ingrédients qui se trouvent les uns sur les autres ou en travers (par exemple, des frites) doivent être remués à mi-cuisson. Voir la section « Réglages » du chapitre « Utilisation de l'appareil ».
Les collations frites ne sont pas croustillantes lorsqu'elles sortent de la friteuse.	Vous avez utilisé un type de collation destiné à être préparé dans une friteuse traditionnelle.	Utilisez des collations au four ou badigeonnez-les légèrement d'huile pour un résultat plus croustillant.
Je n'arrive pas à glisser correctement la cuve dans l'appareil.	Il y a trop d'ingrédients dans la cuve.	Ne remplissez pas la cuve au-delà de l'indication MAX.
	La grille n'est pas correctement placée dans la cuve.	Pousser la grille vers le fond de la cuve jusqu'à ce qu'elle ne puisse plus bouger.
De la fumée blanche sort de l'appareil.	Vous préparez des ingrédients gras.	Lorsque vous faites frire des ingrédients gras dans la friteuse à air, une grande quantité d'huile s'écoule dans la cuve. L'huile produit de la fumée blanche et la cuve peut chauffer plus que d'habitude. Cela n'affecte pas l'appareil ni le résultat final.
	La cuve contient encore des résidus de graisse provenant d'une utilisation précédente.	La fumée blanche est provoquée par la graisse qui chauffe dans la cuve. Assurez-vous de nettoyer correctement la cuve après chaque utilisation.
Les frites fraîches sont frites de manière inégale dans la friteuse à air.	Vous n'avez pas utilisé le bon type de pomme de terre.	Utilisez des pommes de terre fraîches et assurez-vous qu'elles restent fermes pendant la friture.
	Vous n'avez pas bien rincé les bâtonnets de pommes de terre avant de les faire frire.	Rincez correctement les bâtonnets de pommes de terre pour éliminer l'amidon de l'extérieur des bâtonnets.
Les frites fraîches ne sont pas croustillantes à la sortie de la friteuse.	Le croustillant des frites dépend de la quantité d'huile et d'eau contenue dans les frites.	Assurez-vous de bien sécher les bâtonnets de pomme de terre avant d'ajouter l'huile.
		Coupez des bâtonnets de pomme de terre plus petits pour un résultat plus croustillant.
		Ajoutez un peu plus d'huile pour un résultat plus croustillant.

**SOLO PER USO DOMESTICO AL CHIUSO.**

**CONSERVARE QUESTE ISTRUZIONI**

Questo apparecchio non è destinato all'uso in applicazioni domestiche e simili quali:

- cucine per il personale presso negozi, uffici e altri ambienti di lavoro;
- agriturismi;
- da clienti in hotel, motel e altri ambienti di tipo residenziale;
- ambienti tipo "bed and breakfast".

## CONTENUTO

---

<b>PRECAUZIONI IMPORTANTI</b>	<b>34</b>
<b>INTRODUZIONE</b>	<b>34</b>
<b>DESCRIZIONE GENERALE</b>	<b>35</b>
<b>IMPORTANTE</b>	<b>35</b>
<b>PRIMA DEL PRIMO UTILIZZO</b>	<b>36</b>
<b>PREPARAZIONE PER L'USO</b>	<b>37</b>
<b>UTILIZZO DELL'APPARECCHIO</b>	<b>37</b>
<b>ISTRUZIONI SUL PANNELLO DI CONTROLLO</b>	<b>38</b>
<b>IMPOSTAZIONI</b>	<b>39</b>
<b>PULIZIA</b>	<b>40</b>
<b>CONSERVAZIONE</b>	<b>40</b>
<b>AMBIENTE</b>	<b>40</b>
<b>GARANZIA E ASSISTENZA</b>	<b>40</b>
<b>PER UN CORRETTO SMALTIMENTO DI QUESTO PRODOTTO</b>	<b>40</b>
<b>RISOLUZIONE DEI PROBLEMI</b>	<b>41</b>

**SI PREGA DI LEGGERE ATTENTAMENTE IL PRESENTE  
MANUALE PRIMA DI UTILIZZARE L'APPARECCHIO E DI  
CONSERVARLO PER RIFERIMENTO FUTURO.**





## PRECAUZIONI IMPORTANTI

Quando si utilizzano apparecchi elettrici, è necessario seguire sempre le precauzioni di sicurezza di base, comprese le seguenti:

1. Leggere tutte le istruzioni.
2. Non toccare le superfici calde.
3. Per proteggersi da scosse elettriche, non immergere il cavo, le spine o la base in acqua o altri liquidi.
4. **AVVERTENZA:** Questo apparecchio elettrico contiene una funzione di riscaldamento. Le superfici, non solo quelle preposte al riscaldamento, possono sviluppare temperature elevate. Poiché le temperature sono percepite in modo diverso a seconda della persona, questo apparecchio deve essere utilizzato con LA MASSIMA CAUTELA. L'apparecchio deve essere toccato solo in corrispondenza delle impugnature e delle superfici di presa previste, usando protezioni dal calore come guanti o simili. Le superfici diverse da quelle previste per la presa prima di essere toccate devono avere il tempo sufficiente per raffreddarsi.
5. Scollegare dalla presa quando non è in uso e prima della pulizia. Lasciar raffreddare prima di mettere o togliere componenti.
6. Se il cavo fornito è danneggiato, deve essere sostituito dal produttore, dal suo rappresentante dell'assistenza o da personale analogamente qualificato, al fine di evitare un pericolo.
7. L'uso di accessori non consigliati dal produttore dell'apparecchio può causare lesioni.
8. Non utilizzare all'aperto.
9. Non lasciare che il cavo penda dal bordo del tavolo o del bancone, in quanto potrebbe entrare in contatto con la superficie calda.
10. Non posizionare l'apparecchio sopra o vicino a fornelli a gas o elettrici caldi o in un forno riscaldato.
11. Prestare la massima attenzione quando si sposta un apparecchio contenente olio bollente o altri liquidi caldi.
12. Collegare sempre prima la spina all'apparecchio, quindi collegare il cavo alla presa a muro. Per essere scollegato, portare qualsiasi controllo su "OFF" (spento), quindi rimuovere la spina dalla presa a muro.
13. Non utilizzare l'apparecchio per un uso diverso da quello previsto.
14. Questo apparecchio può essere utilizzato da bambini a partire dagli 8 anni di età e da persone con ridotte capacità fisiche, sensoriali o mentali o con mancanza di esperienza e conoscenza, a condizione che vengano sorvegliati o abbiano ricevuto istruzioni su come utilizzare l'apparecchio in modo sicuro e che abbiano compreso i pericoli connessi. I bambini non devono giocare con l'apparecchio. La pulizia e la manutenzione da parte dell'utente non devono essere eseguite da bambini a meno che non abbiano più di 8 anni e siano sorvegliati da adulti.
15. Tenere l'apparecchio e il suo cavo fuori dalla portata dei bambini di età inferiore a 8 anni.
16. Gli apparecchi non sono progettati per essere azionati tramite un timer esterno o un sistema di controllo remoto separato.

## INTRODUZIONE

Questa friggitrice ad aria calda offre un modo semplice e salutare per preparare i tuoi ingredienti preferiti. Utilizzando una rapida circolazione dell'aria calda e una griglia superiore, è in grado di preparare numerosi piatti. La parte migliore è che la friggitrice ad aria calda riscalda il cibo in tutte le direzioni e la maggior parte degli ingredienti non ha bisogno di olio.

### DATI TECNICI:

- Tensione: 220-240V~50Hz
- Potenza: 1700 Watt
- Capacità con cestello: 6,5 litri
- Temperatura regolabile: da 80 °C a 200 °C
- Timer (0-60 min)



# DESCRIZIONE GENERALE (FIG.1)

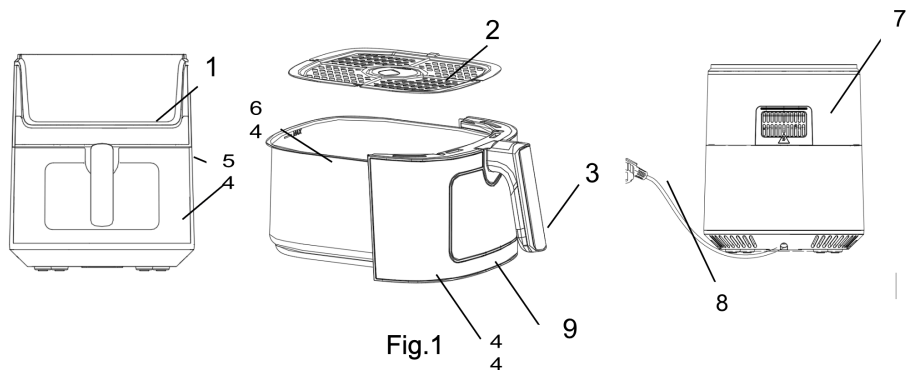


Fig.2

1	Pannello del display
2	Cremagliera
3	Impugnatura del cestello
4	Coperchio della pentola
5	Alloggiamento principale
6	Contenitore per frittura
7	Uscita dell'aria
8	Cavo di alimentazione (cavo elettrico)
9	Finestra visibile

## IMPORTANTE

### PERICOLO

- Questo apparecchio può essere utilizzato da bambini a partire dagli 8 anni di età e da persone con ridotte capacità fisiche, sensoriali o mentali o con mancanza di esperienza e conoscenza, a condizione che vengano sorvegliati o abbiano ricevuto istruzioni su come utilizzare l'apparecchio in modo sicuro e che abbiano compreso i pericoli connessi. I bambini non devono giocare con l'apparecchio. La pulizia e la manutenzione da parte dell'utente non devono essere eseguite da bambini a meno che non abbiano più di 8 anni e siano sorvegliati da adulti.

- Tenere l'apparecchio e il suo cavo fuori dalla portata dei bambini di età inferiore a 8 anni.
- Non immergere mai l'alloggiamento, che contiene i componenti elettrici e gli elementi riscaldanti, in acqua né sciacquarlo sotto l'acqua corrente.
- Non lasciare che acqua o altri liquidi penetrino nell'apparecchio per evitare scosse elettriche.
- Mettere sempre gli ingredienti da friggere nel cestello, per evitare che entri in contatto con gli elementi riscaldanti.
- Non coprire l'ingresso dell'aria e le aperture esterne dell'aria mentre l'apparecchio è in funzione.
- Non riempire la pentola con olio in quanto ciò potrebbe causare un rischio di incendio.
- Non toccare mai l'interno dell'apparecchio mentre è in funzione.

La temperatura delle superfici accessibili può essere elevata quando l'apparecchio è in funzione.



## ATTENZIONE

- Verificare che la tensione indicata sull'apparecchio corrisponda alla tensione di rete locale.
- Non utilizzare l'apparecchio se la spina, il cavo di alimentazione o altre parti sono danneggiati.
- Non rivolgersi a persone non autorizzate per sostituire o riparare il cavo principale danneggiato.
- Tenere il cavo di alimentazione lontano da superfici calde.
- Non collegare l'apparecchio alla presa di corrente e non utilizzare il pannello di controllo con le mani bagnate.
- Non appoggiare l'apparecchio contro una parete o contro altri apparecchi. Lasciare almeno 10 cm di spazio libero sul retro e sui lati e 10 cm di spazio libero sopra l'apparecchio.  
Non appoggiare nulla sopra l'apparecchio.
- Non utilizzare l'apparecchio per scopi diversi da quelli descritti in questo manuale.
- Non lasciare l'apparecchio in funzione incustodito.
- Durante la frittura ad aria calda, il vapore caldo viene rilasciato attraverso le aperture di uscita dell'aria. Tenere le mani e il viso a distanza di sicurezza dal vapore e dalle aperture di uscita dell'aria.  
Prestare attenzione anche al vapore e all'aria caldi quando si rimuove la pentola dall'apparecchio.
- Le superfici accessibili possono surriscaldarsi durante l'uso (Fig.2)
- Scollegare immediatamente l'apparecchio dalla presa di corrente se si vede del fumo scuro fuoriuscire dall'apparecchio. Attendere che l'emissione di fumo si fermi prima di rimuovere la pentola dall'apparecchio.

## ATTENZIONE

- Assicurarsi che l'apparecchio sia posizionato su una superficie orizzontale, piana e stabile.
- Questo apparecchio è destinato esclusivamente all'uso domestico. Potrebbe non essere adatto per essere utilizzato in sicurezza in ambienti come cucine per il personale, agriturismi, motel e altri ambienti non residenziali. Né è destinato all'uso da parte dei clienti in hotel, motel, bed and breakfast e altri ambienti residenziali.
- Se l'apparecchio viene utilizzato in modo improprio o per scopi professionali o semi-professionali o non viene utilizzato secondo le istruzioni contenute nel presente manuale d'uso, la garanzia decade e potremmo declinare ogni responsabilità per danni causati.
- Scollegare sempre l'apparecchio dalla presa di corrente quando non lo si utilizza.
- L'apparecchio ha bisogno di circa 30 minuti per raffreddarsi per essere maneggiato o pulito in modo sicuro.

## PRIMA DEL PRIMO UTILIZZO

---

1. Rimuovere tutti i materiali di imballaggio.
2. Rimuovere dall'apparecchio eventuali adesivi o etichette.
3. Pulire accuratamente la pentola e la griglia con acqua calda, un po' di detersivo per piatti e una spugna non abrasiva.
4. Pulire l'interno e l'esterno dell'apparecchio con un panno umido.

**Questa è una friggitrice senza olio che funziona ad aria calda. Non riempire direttamente la pentola con olio o grasso per friggere.**

**Avviso: Quando la friggitrice ad aria viene riscaldata per la prima volta, potrebbe emettere un leggero fumo o odore. Questo è normale per molti apparecchi che hanno sistemi di riscaldamento. Ciò non pregiudica la sicurezza dell'apparecchio.**

## PREPARAZIONE PER L'USO

1 Collocare l'apparecchio su una superficie stabile, orizzontale e piana.

**Non posizionare l'apparecchio su superfici non resistenti al calore.**

2 Posizionare il cestello nella pentola.

Non riempire la pentola con olio o altri liquidi.

**Non mettere nulla sopra l'apparecchio, il flusso d'aria verrà interrotto e influirà sul risultato della frittura ad aria calda.**

## UTILIZZO DELL'APPARECCHIO

La friggitrice senza olio può utilizzare una vasta gamma di ingredienti.

### Frittura ad aria calda

1. Collegare la spina di alimentazione a una presa a muro con messa a terra.

2. Estrarre con cautela la pentola dalla friggitrice ad aria calda.

3. Mettere gli ingredienti nella pentola.

4. Reinserire la pentola nella friggitrice ad aria calda.

Prestare attenzione di allineare attentamente la pentola le guide nel corpo della friggitrice.

Non usare mai la pentola senza il cestello al suo interno.

**Attenzione: Non toccare la pentola durante e dopo l'uso, poiché diventa molto calda. Tenere sempre la pentola per friggere per il manico.**

5. Determinare il tempo di preparazione richiesto per gli ingredienti (vedere la sezione "Impostazioni" in questo capitolo).

6. Alcuni ingredienti devono essere agitati a metà del tempo di preparazione (vedere la sezione "Impostazioni" in questo capitolo). Per mescolare gli ingredienti, estrarre la pentola dall'apparecchio per la maniglia e agitarla. Quindi reinserire la pentola nella friggitrice ad aria.

**Attenzione: Non premere il pulsante sull'impugnatura mentre la si agita.**

Suggerimento: Se imposti il timer a metà del tempo di preparazione, sentirai il segnale acustico del timer quando devi mescolare gli ingredienti. Tuttavia, ciò significa che dovrai impostare nuovamente il timer sul tempo di preparazione rimanente dopo l'agitazione.

7. Quando senti il segnale acustico del timer, che indica che è trascorso il tempo di preparazione impostato, devi estrarre la pentola dall'apparecchio.

Suggerimento: Puoi regolare la temperatura o il tempo in base ai tuoi gusti durante l'uso. Le impostazioni verranno mantenute per circa un minuto dopo aver estratto la pentola dal corpo.

8. Controlla se gli ingredienti sono pronti o meno.

Se gli ingredienti non sono ancora pronti, è sufficiente reinserire la pentola nell'apparecchio e impostare il timer su qualche minuto in più.

9. Per rimuovere gli ingredienti (ad es. patatine fritte), estrarre la pentola dalla friggitrice ad aria calda e posizionarla sul telaio.

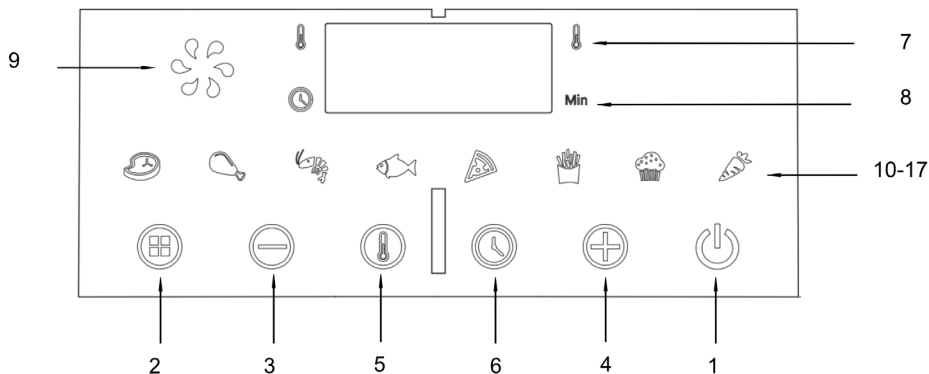
**Non capovolgere la pentola con la griglia ancora attaccata, poiché l'olio in eccesso che si è raccolto sul fondo della pentola colerà sugli ingredienti.**

**La pentola e gli ingredienti sono caldi, il vapore potrebbe fuoriuscire dalla pentola a seconda del tipo di ingredienti nella friggitrice ad aria.**

10. Svuotare il cestello in una ciotola o su un piatto.

11. Quando un lotto di ingredienti è pronto, la friggitrice ad aria calda è immediatamente pronta per cuocere un altro lotto.

## ISTRUZIONI SUL PANNELLO DI CONTROLLO



### ISTRUZIONI PER L'USO:

- Tasto 1 – Tasto di accensione

Una volta che il cestello e la pentola sono posizionati correttamente nell'alloggiamento principale, la spia di alimentazione si accenderà. Selezionando il tasto di accensione per 3 secondi, la temperatura predefinita dell'unità sarà 200, mentre il tempo di cottura sarà impostato su 15 minuti. Selezionando il tasto di accensione una seconda volta, avvierà il processo di cottura. Premendo il tasto di accensione per 3 secondi chiudere l'intero dispositivo durante la cottura. Sullo schermo verrà visualizzato "OFF". La spia "OFF" si spegne e la ventola smette di funzionare 20 secondi dopo e l'intero dispositivo smette completamente di funzionare.

Nota: Durante la cottura, è possibile toccare i tasti per controllare la pausa e l'inizio della cottura.

- Tasto 2 – Tasto Preimpostazione

Selezionando il tasto Preimpostazione è possibile scorrere le 8 scelte alimentari più diffuse. Una volta selezionato, inizia la funzione tempo e temperatura di cottura predeterminati.

- Tasto e tasto – Tasti di diminuzione e aumento del timer/controllo della temperatura

Selezionando il tasto 5 i simboli del tasto 3 e del tasto 4 ti permettono di aumentare o diminuire la temperatura di cottura di **5°C** alla volta. Tenendo premuto il tasto la temperatura cambierà rapidamente. Intervallo di controllo della temperatura: 80°C-200°C.

Selezionando il tasto 6 i simboli del tasto 3 e del tasto 4 ti permettono di aumentare o diminuire il tempo di cottura un minuto alla volta. Tenendo premuto il tasto il tempo di cottura cambierà rapidamente.

- Tasti 7 e 8 **Min** – Indicatori di temperatura/timer

Indicatore luminoso "9" – Indicatore della ventola

Spia luminosa "10-17" – Indicatore ricetta

# IMPOSTAZIONI

La tabella seguente ti aiuterà a selezionare le impostazioni di base per gli ingredienti.

Nota: Tieni presente che queste impostazioni sono indicative. Poiché gli ingredienti differiscono per origine, dimensione, forma e marca, non possiamo garantire la migliore impostazione per i tuoi ingredienti.

Poiché la tecnologia Rapid Air riscalda istantaneamente l'aria all'interno dell'apparecchio, esstrarre brevemente la pentola dall'apparecchio durante la **frittura ad aria calda disturba minimeamente il processo.**

## Suggerimenti

- Gli ingredienti più piccoli di solito richiedono un tempo di preparazione leggermente più breve rispetto agli ingredienti più grandi.
- Una quantità maggiore di ingredienti richiede solo un tempo di preparazione leggermente più lungo, una quantità minore di ingredienti richiede solo un tempo di preparazione leggermente più breve.
- Agitare gli ingredienti più piccoli a metà del tempo di preparazione ottimizza il risultato finale e può aiutare a prevenire la frittura non uniforme degli ingredienti.
- Aggiungere un po' d'olio alle patate fresche per un risultato più croccante. Friggere gli ingredienti nella friggitrice ad aria calda entro pochi minuti dall'aggiunta dell'olio.
- Nella friggitrice ad aria calda non vanno cotti ingredienti estremamente grassi come salsicce.
- Gli snack che possono essere preparati in forno possono essere preparati anche nella friggitrice ad aria calda
- La quantità ottimale per preparare patatine croccanti è di 500 grammi.
- Usa l'impasto confezionato per preparare snack ripieni in modo rapido e semplice. L'impasto confezionato richiede anche un tempo di preparazione più breve rispetto all'impasto fatto in casa.
- Mettere una teglia o una pirofila nel cestello della friggitrice ad aria calda se si desidera cuocere una torta o una quiche o se si vogliono friggere ingredienti fragili o ingredienti ripieni
- Si può usare la friggitrice ad aria calda anche per riscaldare gli ingredienti. Per riscaldare gli ingredienti, impostare la temperatura a 150°C per un massimo di 10 minuti.

Ingredienti	Quantità min-max (g)	Tempo (min)	Temperatura (°C)	Agitare	Ulteriori informazioni
<b>Bistecca</b>	100-400	16-20	180		
<b>Coscette di pollo</b>	100-400	25-28	180		
<b>Gamberetti</b>	100-400	12-15	180		
<b>Pesce</b>	100-400	18-20	180		
<b>Pizza</b>	100-400	20-22	200		
<b>Patatine fritte surgelate</b>	100-400	17-20	200	Agitare	
<b>Torta</b>	100-400	17-19	160		
<b>Verdura</b>	100-400	15-18	160		

Nota: Aggiungere 3 minuti al tempo di preparazione quando si inizia a friggere mentre la friggitrice ad aria calda è ancora fredda.



## PULIZIA

Pulire l'apparecchio dopo ogni utilizzo.

**La pentola e la griglia per il rivestimento antiaderente. Per pulirli non utilizzare utensili da cucina in metallo o materiali per la pulizia abrasivi, poiché ciò potrebbe danneggiare il rivestimento antiaderente.**

1 Staccate la spina dalla presa a muro e lasciate raffreddare l'apparecchio.

Nota: Rimuovere la pentola per far raffreddare più rapidamente la friggitrice ad aria calda.

2 Pulite l'esterno dell'apparecchio con un panno umido.

3 Pulite la pentola e la griglia con acqua calda, un po' di detersivo per piatti e una spugna non abrasiva.

È possibile utilizzare un liquido sgrassante per rimuovere lo sporco residuo.

Suggerimento: Se lo sporco è attaccato alla griglia o al fondo della pentola, riempire la pentola con acqua calda con un po' di detersivo per piatti. Mettere la griglia nella pentola e lasciare la pentola e la griglia in ammollo per circa 10 minuti.

4 Pulite l'interno dell'apparecchio con acqua calda e spugna non abrasiva.

5 Pulire l'elemento riscaldante con una spazzola per rimuovere eventuali residui di cibo.

## CONSERVAZIONE

1 Scollegate l'apparecchio dalla presa di corrente e lasciatelo raffreddare.

2 Assicurarsi che tutte le parti siano pulite e asciutte.

## AMBIENTE

Non gettare l'apparecchio con i normali rifiuti domestici quando è esaurito, ma conferirlo a un punto di raccolta autorizzato per il riciclaggio. In questo modo, contribuisce a preservare l'ambiente.

## GARANZIA E ASSISTENZA

Se hai bisogno di assistenza o informazioni o se hai un problema, contatta il centro di assistenza autorizzato locale.

## PER UN CORRETTO SMALTIMENTO DI QUESTO PRODOTTO



Questo marchio indica che questo prodotto non deve essere smaltito con altri rifiuti domestici in tutta l'UE. Per prevenire possibili danni all'ambiente o alla salute umana dovuti allo smaltimento incontrollato dei rifiuti, riciclarli in modo responsabile per promuovere il riutilizzo sostenibile dei materiali. Per smaltire il dispositivo usato, utilizzare i sistemi di conferimento e raccolta o contattare il rivenditore presso il quale è stato acquistato il prodotto. Il rivenditore sarà in grado di ritirare questo prodotto per un suo riciclaggio sicuro per l'ambiente.

## RISOLUZIONE DEI PROBLEMI

Problema	Possibile causa	Soluzione
La friggitrice ad aria calda non funziona.	L'apparecchio non è collegato.	Inserire la spina di alimentazione in una presa a muro con messa a terra.
	Il timer non è stato impostato.	Impostare il tasto del timer sul tempo di preparazione richiesto per accendere l'apparecchio.
Gli ingredienti fritti con la friggitrice ad aria non sono cotti.	La quantità di ingredienti nel cestello è eccessiva.	Metti piccoli lotti di ingredienti nel cestello. I lotti più piccoli vengono fritti in modo più uniforme.
	La temperatura impostata è troppo bassa.	Impostare il tasto della temperatura sull'impostazione della temperatura desiderata (vedere la sezione "impostazioni" nel capitolo "Utilizzo dell'apparecchio").
	Il tempo di preparazione è troppo breve.	Impostare il timer sul tempo di preparazione desiderato (vedere la sezione "Impostazioni" nel capitolo "Utilizzo dell'apparecchio").
Gli ingredienti vengono fritti in modo non uniforme nella friggitrice ad aria.	Alcuni tipi di ingredienti devono essere agitati a metà del tempo di preparazione.	Gli ingredienti che si trovano uno sopra l'altro o uno di fronte all'altro (ad es. patatine fritte) devono essere agitati a metà del tempo di preparazione. Vedere la sezione "Impostazioni" nel capitolo "Utilizzo dell'apparecchio".
Gli snack fritti non sono croccanti quando escono dalla friggitrice ad aria.	Hai usato un tipo di prodotto che va preparato in una friggitrice tradizionale.	Usa prodotti da forno o spennella leggermente un po' d'olio sui prodotti per un risultato più croccante.
Non riesco a far scorrere correttamente la pentola nell'apparecchio.	Ci sono troppi ingredienti nella pentola.	Non riempire la pentola oltre l'indicazione MAX.
	La griglia non è posizionata correttamente nella pentola.	Spingi la griglia verso il basso nella pentola finché non può muoversi ulteriormente.
Dall'apparecchio fuoriesce fumo bianco.	Stai preparando ingredienti con grassi.	Quando friggi ingredienti con grassi nella friggitrice ad aria, una grande quantità di olio fuoriesce nella pentola. L'olio produce fumo bianco e la pentola potrebbe riscaldarsi più del solito. Ciò non influisce sull'apparecchio o sul risultato finale.
	La pentola contiene residui di grasso dell'uso precedente.	Il fumo bianco è causato dal riscaldamento del grasso nella pentola. Assicurati di pulire correttamente la pentola dopo ogni utilizzo.
Le patatine fritte fresche vengono fritte in modo non uniforme nella friggitrice ad aria.	Non hai usato il tipo di patata giusto.	Usa patate fresche e assicurati che rimangano sode durante la frittura.
	Non hai sciacquato bene le patate a bastoncino prima di friggerle.	Sciacquare bene le patate a bastoncino per rimuovere l'amido dall'esterno della superficie.
Le patatine fresche non sono croccanti quando escono dalla friggitrice ad aria.	La croccantezza delle patatine fritte dipende dalla quantità di olio e acqua presente nelle patatine fritte.	Assicurati di asciugare bene le patate a bastoncino prima di aggiungere l'olio.
		Per un risultato più croccante, taglia le patate a bastoncino in pezzi più piccoli.
		Aggiungi un po' più di olio per un risultato più croccante.



PT

## AIR FRYER

# INSTRUÇÕES DE FUNCIONAMENTO E DE SEGURANÇA

NÚMERO MODELO N. ORIFRYWI6,5L-IN

## APENAS PARA USO DOMÉSTICO INTERIOR

### GUARDE ESTAS INSTRUÇÕES

Este aparelho não se destina a ser utilizado em aplicações domésticas e similares, tais como:

- áreas de cozinha do pessoal em lojas, escritórios e outros ambientes de trabalho;
- casas de campo;
- por clientes em hotéis, motéis e outros ambientes do tipo residencial;
- ambientes do tipo pensão.

# CONTENTE

PROTEÇÕES IMPORTANTES	14
INTRODUÇÃO	14
DESCRIÇÃO GERAL	15
IMPORTANTE	15
ANTES DA PRIMEIRA UTILIZAÇÃO	16
PREPARAÇÃO PARA A UTILIZAÇÃO	17
UTILIZAÇÃO DO APARELHO	17
INSTRUÇÕES DO PAINEL DE CONTROLO	18
DEFINIÇÕES	19
LIMPEZA	20
ARMAZENAMENTO	20
AMBIENTE	20
GARANTIA E SERVIÇO	20
ELIMINAÇÃO CORRETA DESTE PRODUTO	20
RESOLUÇÃO DE PROBLEMAS	21

LEIA ATENTAMENTE ESTE MANUAL ANTES DE  
UTILIZAR O APARELHO E GUARDE O MESMO  
PARA FUTURA REFERÊNCIA.





## PROTEÇÕES IMPORTANTES

Devem ser sempre respeitadas as precauções básicas de segurança ao utilizar aparelhos elétricos, incluindo as que se seguem:

1. Leia todas as instruções.
2. Não toque nas superfícies quentes.
3. Para se proteger contra choques elétricos, não mergulhe o cabo, as fichas ou a base em água ou em outro líquido.
4. AVISO: Este aparelho elétrico contém uma função de aquecimento. As superfícies, também diferentes das superfícies funcionais, podem desenvolver temperaturas elevadas. Uma vez que as temperaturas são percebidas de forma diferente por pessoas diferentes, este equipamento deve ser utilizado com CUIDADO. Ao tocar no equipamento deve fazê-lo apenas nas pegas e nas superfícies previstas para agarrar utilizando proteção térmica, tal como luvas ou similar. As superfícies que não sejam as superfícies previstas para serem agarradas devem ter tempo suficiente para arrefecer antes de serem tocadas.
5. Desligue o aparelho da tomada quando não estiver a ser utilizado e antes de o limpar. Deixe arrefecer antes de colocar ou retirar peças.
6. Se o cabo estiver danificado deve ser substituído pelo fabricante, pelo seu agente de assistência técnica ou por pessoas com qualificações semelhantes.
7. A utilização de acessórios não recomendados pelo fabricante do aparelho pode provocar ferimentos.
8. Não use ao ar livre.
9. Não deixe o cabo pendurado na extremidade da mesa ou do balcão, pois pode entrar em contacto com a superfície quente.
10. Não coloque o aparelho sobre ou perto de um fogão quente a gás ou elétrico, ou num forno aquecido.
11. É necessário ter muito cuidado ao deslocar um aparelho que contenha óleo quente ou outros líquidos quentes.
12. Ligue sempre primeiro a ficha ao aparelho e depois ligue o cabo à tomada de parede. Para ser desligado, coloque qualquer controlo na posição "off" (desligado) e, em seguida, retire a ficha da tomada de parede.
13. Não utilize o aparelho para outro fim que não o previsto.
14. Este aparelho pode ser utilizado por crianças a partir dos 8 anos de idade e por pessoas com capacidades físicas, sensoriais ou mentais reduzidas ou com falta de experiência e conhecimentos, desde que recebam supervisão ou instruções sobre a utilização do aparelho de forma segura e compreendam os perigos envolvidos. As crianças não devem brincar com o aparelho. A limpeza e a manutenção pelo utilizador não devem ser efetuadas por crianças, a menos que tenham mais de 8 anos de idade e sejam supervisionadas.
15. Mantenha o aparelho e o respetivo cabo fora do alcance de crianças com menos de 8 anos de idade.
16. Os aparelhos não se destinam a ser acionados por meio de um temporizador externo ou de um sistema de controlo remoto separado.

## INTRODUÇÃO

Esta fritadeira de ar quente proporciona uma forma fácil e saudável de preparar os seus ingredientes favoritos. Graças à circulação rápida de ar quente e a um grelhador superior, é capaz de confeccionar inúmeros pratos. A melhor parte é que a fritadeira de ar quente aquece os alimentos em todas as direções e a maioria dos ingredientes não necessita de óleo. *alienta los alimentos en todas direcciones y la mayoría de los ingredientes no necesitan aceite.*

### DADOS TÉCNICOS:

- Voltagem: 220-240 V~50 Hz
- Potência: 1700 Watts
- Capacidade com grelha: 6,5 litros
- Temperatura ajustável: 80°C-200°C
- Temporizador (0-60 min.)



# DESCRIÇÃO GERAL (FIG. 1)

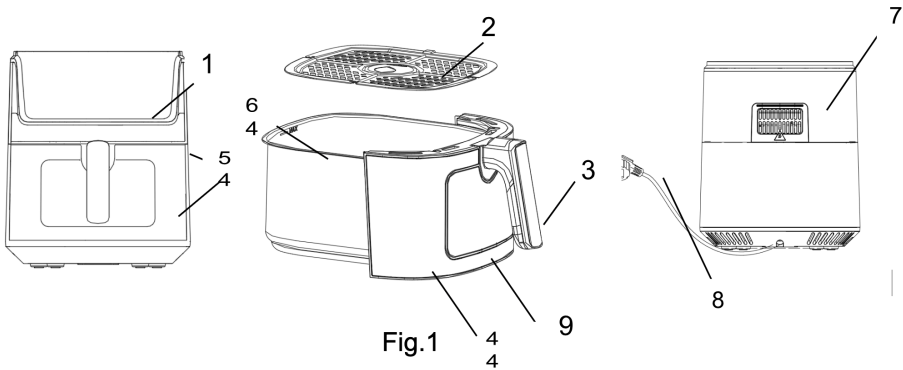


Fig.2

1	Painel de visualização
2	Grelha
3	Pega
4	Cobertura da frigideira
5	Carcaça
6	Frigideira
7	Saída de ar
8	Cabo principal (Cabo elétrico)
9	Janela visível

## IMPORTANTE

### PERIGO

- Este aparelho pode ser utilizado por crianças a partir dos 8 anos de idade e por pessoas com capacidades físicas, sensoriais ou mentais reduzidas ou com falta de experiência e conhecimentos, desde que recebam supervisão ou instruções sobre a utilização do aparelho de forma segura e compreendam os perigos envolvidos. As crianças não devem brincar com o aparelho. A limpeza e a manutenção pelo utilizador não devem ser efetuadas por crianças, a menos que tenham mais de 8 anos de idade e sejam supervisionadas.

- Mantenha o aparelho e o respetivo cabo fora do alcance de crianças com menos de 8 anos de idade.

- Nunca mergulhe a carcaça, a qual contém componentes elétricos e elementos de aquecimento, em água nem enxague debaixo da torneira.

- Não deixe entrar água ou outro líquido no aparelho para evitar choques elétricos.

- Coloque sempre os ingredientes a fritar na cesta, para evitar que entrem em contacto com os elementos de aquecimento.

- Não tape a entrada de ar nem as aberturas exteriores de ar durante o funcionamento do aparelho.

- Não encha a frigideira com óleo, pois pode provocar um incêndio.

- Nunca toque no interior do aparelho enquanto este estiver a funcionar.

A temperatura das superfícies acessíveis pode ser elevada quando o aparelho está a funcionar.

## AVISO

- Verifique se a potência indicada no aparelho corresponde à potência da rede elétrica local.
- Não utilize o aparelho se houver danos na ficha, no cabo de alimentação ou noutras peças.
- Caso o cabo principal esteja danificado, não recorra a qualquer pessoa não autorizada para o substituir ou reparar.
- Mantenha o cabo de alimentação afastado de superfícies quentes.
- Não ligue o aparelho à corrente nem utilize o painel de controlo com as mãos molhadas.
- Não coloque o aparelho contra uma parede ou contra outros aparelhos. Deixe pelo menos 10 cm de espaço livre na parte de trás e nas laterais e 10 cm de espaço livre por cima do aparelho.
- Não coloque nada em cima do aparelho.
- Não utilize o aparelho para outros fins que não os descritos neste manual.
- Não deixe o aparelho a funcionar sem vigilância.
- Durante a fritura com ar quente, é libertado vapor quente através das aberturas de saída de ar. Mantenha as mãos e o rosto a uma distância segura do vapor e das aberturas de saída de ar.
- Tenha também cuidado com o vapor e o ar quentes quando retirar a frigideira do aparelho.
- As superfícies acessíveis podem aquecer durante a utilização (Fig. 2)
- Desligue imediatamente o aparelho se vir fumo escuro a sair do mesmo. Aguarde que a emissão de fumo pare antes de retirar a frigideira do aparelho.

## CUIDADO

- O aparelho deve ser colocado sobre uma superfície horizontal, plana e estável.
- Este aparelho foi concebido apenas para uso doméstico. Pode não ser adequado para ser utilizado com segurança em ambientes como cozinhas de pessoal, quintas, motéis e outros ambientes não residenciais. Também não se destina a ser utilizado por clientes em hotéis, motéis, pensões e outros ambientes residenciais.
- Se o aparelho for utilizado de forma incorreta ou para fins profissionais ou semiprofissionais, ou se não for utilizado de acordo com as instruções do manual de instruções, a garantia perde a validade e podemos recusar qualquer responsabilidade por danos causados.
- Desligue sempre o aparelho da tomada quando não estiver a ser utilizado.
- O aparelho necessita de cerca de 30 minutos de arrefecimento para ser manuseado ou limpo com segurança.

## ANTES DA PRIMEIRA UTILIZAÇÃO

---

1. Retire todos os materiais da embalagem.
2. Retire quaisquer autocolantes ou rótulos do aparelho.
3. Limpe bem a frigideira e a grelha com água quente, um pouco de detergente para a loiça e uma esponja não abrasiva.
4. Limpe o interior e o exterior do aparelho com um pano húmido.

**Esta é uma fritadeira sem óleo que funciona com ar quente. Não encha diretamente a frigideira com óleo ou gordura para fritar.**

**Aviso: Quando a fritadeira é aquecida pela primeira vez, pode emitir um ligeiro fumo ou odor. Isto é normal em muitos aparelhos de aquecimento. Isto não afeta a segurança do seu aparelho.**



# PREPARAÇÃO PARA A UTILIZAÇÃO

---

1 Coloque o aparelho sobre uma superfície estável, horizontal e plana.

**Não coloque o aparelho numa superfície não resistente ao calor.**

2 Coloque a grelha na frigideira.

Não encha a frigideira com óleo ou qualquer outro líquido.

**Não coloque nada em cima do aparelho, pois o fluxo de ar será interrompido e afetará o resultado da fritura com ar quente.**

## UTILIZAÇÃO DO APARELHO

---

Pode preparar uma grande variedade de ingredientes sem óleo..

### Fritura por ar quente

1. Ligue a ficha de alimentação a uma tomada de parede com ligação à terra.

2. Retire cuidadosamente a frigideira da fritadeira de ar quente.

3. Coloque os ingredientes na frigideira.

4. Introduza novamente a frigideira na fritadeira de ar quente.

Tenha atenção para que as guias no corpo da fritadeira fiquem cuidadosamente alinhadas.

**Nunca use a frigideira sem que a grelha esteja instalada na mesma.**

**Cuidado: Não toque na frigideira durante e após a utilização, pois fica muito quente. Segure sempre na frigideira pela pega.**

5. Determine o tempo de preparação necessário para os ingredientes (ver secção "Definições" neste capítulo).

6. Alguns ingredientes devem ser agitados a meio do tempo de preparação (ver secção "Definições" neste capítulo). Para agitar os ingredientes, puxe a frigideira pela pega para fora do aparelho e agite-a. Em seguida, volte a colocar a frigideira na fritadeira.

**Cuidado: Não prima o botão localizado no punho ao agitar.**

Sugestão: Se definir o temporizador para metade do tempo de preparação, ouvirá o sinal sonoro do temporizador quando tiver de agitar os ingredientes. No entanto, isto significa que tem de definir novamente o temporizador para o tempo de preparação restante após agitar a frigideira.

7. Quando ouvir o sinal sonoro do temporizador, que indica que o tempo de preparação definido já passou, retire a frigideira do aparelho.

Sugestão: Durante a utilização, pode ajustar a temperatura ou o tempo de acordo com o seu gosto. As suas definições serão mantidas durante cerca de um minuto após retirar a frigideira da carcaça.

8. Verifique se os ingredientes estão prontos ou não.

Se os ingredientes ainda não estiverem prontos, basta voltar a colocar a frigideira no aparelho e programar o temporizador para mais alguns minutos.

9. Para retirar os ingredientes (por exemplo, batatas fritas), retire a frigideira da fritadeira de ar quente e coloque-a no suporte de teste.

**Não vire a frigideira ao contrário com a grelha ainda presa, pois o excesso de óleo que se acu-**

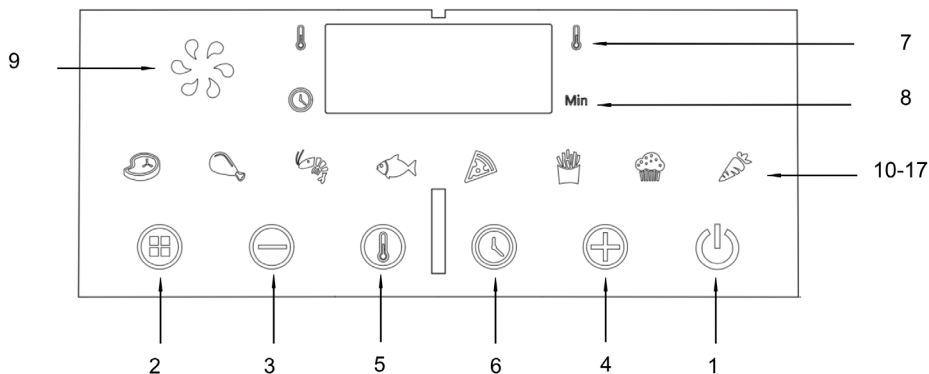
**mulou no fundo da frigideira irá escorrer para os ingredientes.**

**A frigideira e os ingredientes estão quentes, podendo sair vapor da frigideira, dependendo do tipo de ingredientes na fritadeira de ar quente.**

10. Esvazie a cesta para uma tigela ou para um prato.

11. Quando uma determinada quantidade de ingredientes está pronta, a fritadeira de ar quente está imediatamente pronta para preparar outra quantidade.

## INSTRUÇÕES DO PAINEL DE CONTROLO




### INSTRUÇÕES DE UTILIZAÇÃO:

- Tecla 1  - Tecla de alimentação


Quando a cesta e a frigideira estiverem corretamente colocados na carcaça, a luz de alimentação acende-se. Se selecionar a tecla de alimentação durante três segundos, a temperatura predefinida do aparelho será de 200, enquanto que o tempo de cozedura será definido para 15 minutos. Ao selecionar uma segunda vez a tecla "Power" (Ligar), inicia-se o processo de cozedura. Prima a tecla de alimentação durante três segundos para fechar todo o aparelho durante a cozedura. A indicação "OFF" (DESLIGAR) aparece no ecrã. A luz "OFF" (DESLIGAR) apaga-se e a ventoinha deixa de funcionar 20 segundos depois e todo o aparelho deixa de funcionar completamente.


Nota: Durante a cozedura, pode tocar nas teclas para controlar a pausa e o início da cozedura.

- Tecla 2  - Tecla de predefinição

Selecionar a tecla "" de predefinição permite-lhe percorrer as 8 opções alimentares mais populares. Uma vez selecionada, inicia-se a função de tempo e temperatura de cozedura pré-determinados.

- Tecla  &  Tecla - Teclas de diminuição e aumento do temporizador/controlo da temperatura

Selecionar a Tecla 5 "" Os símbolos da Tecla 3 e da Tecla 4 permitem aumentar ou diminuir a temperatura de cozedura em **5°C** de cada vez. Se mantiver a tecla premida, a temperatura muda rapidamente. Intervalo de controlo da temperatura: 80°C - 200°C.

Selecionar a Tecla 6 "" Os símbolos da Tecla 3 e da Tecla 4 permitem aumentar ou diminuir o tempo de cozedura, um minuto de cada vez. Se mantiver a tecla premida, a hora muda rapidamente.

Tecla 7  e 8 Min - Indicadores de temperatura/temporizador

Luz indicadora "9" - Indicador da ventoinha

Luz indicadora "10-17" - Indicador da receita

## DEFINIÇÕES

A tabela abaixo irá ajudá-lo a selecionar as configurações básicas para os ingredientes.

Nota: Recorde-se de que estas configurações são meramente indicativas. Como os ingredientes diferem em termos de origem, tamanho, forma e marca, não podemos garantir a melhor configuração para os seus ingredientes.

Uma vez que a tecnologia Rapid Air volta a aquecer instantaneamente o ar no interior do aparelho, retirar brevemente a frigideira do aparelho durante a fritura com ar quente não perturba o processo.

### Dicas

- Os ingredientes mais pequenos requerem normalmente um tempo de preparação ligeiramente menor do que os ingredientes maiores.
  - Uma quantidade maior de ingredientes requer apenas um tempo de preparação ligeiramente maior, uma quantidade menor de ingredientes requer apenas um tempo de preparação ligeiramente menor.
  - Agitar os ingredientes mais pequenos a meio do tempo de preparação otimiza o resultado final e pode ajudar a evitar ingredientes fritos de forma desigual.
  - Adicione um pouco de óleo às batatas frescas para obter um resultado crocante. Frite os seus ingredientes na fritadeira de ar quente alguns minutos após ter adicionado o óleo.
  - Não prepare ingredientes extremamente gordurosos, tais como salsichas, na fritadeira de ar quente.
  - Os aperitivos que podem ser preparados num forno também podem ser preparados na fritadeira de ar quente
  - Para preparar batatas fritas crocantes, a quantidade ideal é de 500 gramas.
  - Utilize massa pré-preparada para preparar aperitivos recheados de forma rápida e fácil. A massa pré-preparada também requer um tempo de preparação menor do que a massa caseira.
  - Coloque uma forma ou um prato de forno na cesta da fritadeira de ar quente se quiser fazer um bolo ou uma quiche ou se quiser fritar ingredientes frágeis ou recheados
- Também pode utilizar a fritadeira de ar quente para voltar a aquecer ingredientes. Para voltar a aquecer os ingredientes, regule a temperatura para 150 °C durante até 10 minutos.

Ingredientes	Quantidade mínima-máxima (g)	Tempo (min.)	Temperatura (°C)	Agitar	Informações adicionais
<b>Bife</b>	100-400	16-20	180		
<b>Coxas</b>	100-400	25-28	180		
<b>Camarão</b>	100-400	12-15	180		
<b>Peixe</b>	100-400	18-20	180		
<b>Pizza</b>	100-400	20-22	200		
<b>Batatas fritas congeladas</b>	100-400	17-20	200	Agitar	
<b>Bolo</b>	100-400	17-19	160		
<b>Legumes</b>	100-400	15-18	160		

Nota: Acrescente três minutos ao tempo de preparação se começar a fritar com a fritadeira ainda fria.

## LIMPEZA

Limpe o aparelho após cada utilização.

**A frigideira e a grelha de revestimento antiaderente. Não utilize utensílios de cozinha metálicos ou materiais de limpeza abrasivos para os limpar, pois podem danificar o revestimento antiaderente.**

1 Retire a ficha de alimentação da tomada e deixe arrefecer o aparelho.

Nota: Retire a frigideira para que a fritadeira arrefeça mais rapidamente.

2 Limpe o exterior do aparelho com um pano húmido.

3 Limpe a frigideira e a grelha com água quente, um pouco de detergente para a loiça e uma esponja não abrasiva.

Pode utilizar um líquido desengordurante para remover qualquer sujidade restante.

Sugestão: Se a sujidade estiver agarrada à grelha ou ao fundo da frigideira, encha a frigideira com água quente e detergente líquido. Coloque a grelha na frigideira e deixe a frigideira e a grelha de molho durante cerca de 10 minutos.

4 Limpe o interior do aparelho com água quente e uma esponja não abrasiva.

5 Limpe o elemento de aquecimento com uma escova de limpeza para remover quaisquer resíduos de alimentos.

## ALMACENAMIENTO

1 Desligue o aparelho da tomada e deixe-o arrefecer.

2 Certifique-se de que todas as peças estão limpas e secas.

## MEDIOAMBIENTE

Não deite fora o aparelho juntamente com o lixo doméstico normal quando estiver desgastado, mas entregue-o num ponto de recolha oficial para reciclagem. Ao fazê-lo, está a contribuir para a preservação do ambiente.

## GARANTÍA Y SERVICIO

Se necessitar de assistência ou de informações ou se tiver algum problema, contacte o centro local de assistência autorizado.

## ELIMINACIÓN CORRECTA DE ESTE PRODUCTO



Esta marcação indica que este produto não deve ser eliminado juntamente com outros resíduos domésticos em toda a UE. Para evitar possíveis danos para o ambiente ou para a saúde humana decorrentes de uma eliminação descontrolada dos resíduos, recicle-o de forma responsável para promover a reutilização sustentável dos recursos materiais. Para devolver o seu aparelho usado, utilize os sistemas de devolução e recolha ou contacte o vendedor onde o produto foi comprado.

Podem levar este produto para uma reciclagem ambientalmente segura.

# RESOLUÇÃO DE PROBLEMAS

Problema	Causa possível	Solução
A fritadeira de ar quente não funciona.	O aparelho não está ligado à corrente elétrica.	Coloque a ficha de alimentação numa tomada de parede com ligação à terra.
	Não programou o temporizador.	Para ligar o aparelho, coloque a tecla do temporizador no tempo de preparação necessário.
Os ingredientes fritos na fritadeira de ar quente não estão prontos.	A quantidade de ingredientes na cesta é demasiado elevada.	Coloque pequenas quantidades de ingredientes na cesta. Quantidades mais pequenas são fritas de forma mais uniforme.
	A temperatura definida é demasiado baixa.	Coloque a tecla de temperatura na temperatura desejada (ver parágrafo "Definições" no capítulo "Utilização do aparelho").
	O tempo de preparação é demasiado curto.	Coloque o temporizador para o tempo de preparação desejado (ver parágrafo "Definições" no capítulo "Utilização do aparelho").
Os ingredientes são fritos de forma desigual na fritadeira de ar quente.	Alguns tipos de ingredientes devem ser agitados a meio do tempo de preparação.	Os ingredientes que se encontram na parte superior ou em cima de outros (por exemplo, batatas fritas) precisam de ser agitados a meio do tempo de preparação. Veja a secção "Configurações" no capítulo "Utilização do aparelho".
Os aperitivos fritos não são crocantes quando saem da fritadeira de ar quente.	Utilizou um tipo de aperitivo destinado a ser preparado numa fritadeira tradicional.	Utilize aperitivos de forno ou pincele ligeiramente um pouco de óleo nos aperitivos para obter um resultado mais crocante.
Não consigo introduzir corretamente a frigideira no aparelho.	Existem demasiados ingredientes na frigideira.	Não encha a frigideira para além da indicação MAX.
	A grelha não está colocada na frigideira de forma correta.	Empurre a grelha na direção da frigideira, até esta não se poder deslocar mais.
Sai fumo branco do aparelho.	Está a preparar ingredientes gordurosos.	Quando se fritam ingredientes gordurosos na fritadeira de ar quente, escorre uma grande quantidade de óleo para a frigideira. O óleo produz fumo branco e a frigideira pode aquecer mais do que o habitual. Isto não afeta o aparelho nem o resultado final.
	A frigideira ainda contém resíduos de gordura da utilização anterior.	O fumo branco é causado pelo aquecimento da gordura na frigideira. Certifique-se de que limpa corretamente a frigideira após cada utilização.
As batatas fritas frescas são fritas de forma irregular na fritadeira de ar quente.	Não utilizou o tipo de batata correto.	Utilize batatas frescas e certifique-se de que ficam firmes durante a fritura.
	Não lavou bem os palitos de batata antes de os fritar.	Lave bem os palitos de batata para retirar a fécula do exterior dos palitos.
As batatas fritas frescas não são crocantes quando saem da fritadeira de ar quente.	A crocância das batatas fritas depende da quantidade de óleo e de água nas batatas fritas.	Certifique-se de que seca bem os palitos de batata antes de adicionar o óleo. Corte as batatas em palitos mais pequenos para obter um resultado mais crocante. Adicione um pouco mais de óleo para obter um resultado mais crocante.





**ORIGINAL**

[WWW.ORIGINALHOME.COM](http://WWW.ORIGINALHOME.COM)